

TRCW-101FEG0 Waveguide-Coax Adapter, W-band

Features:

- Immediate Ship
- Return Loss: 15 dB min
- Broadband

Electrical Specifications:

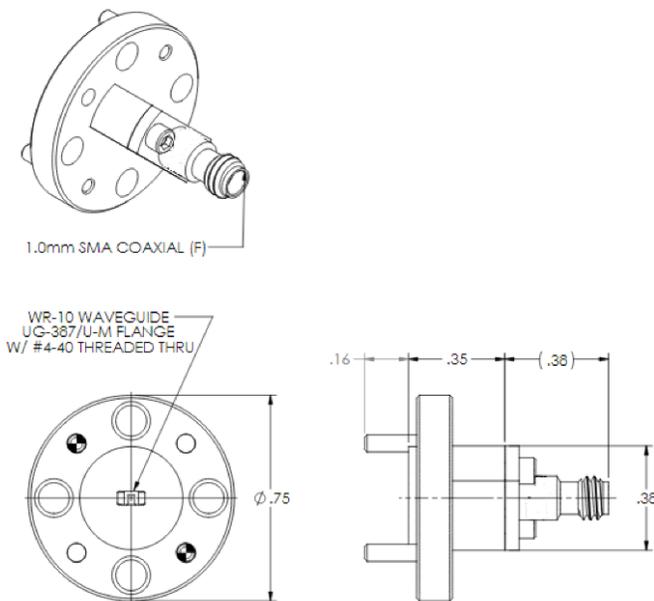
- Frequency: 67- 110 GHz
- Insertion Loss: 0.5 dB
- Return Loss: 15 dB min

Mechanical Specifications:

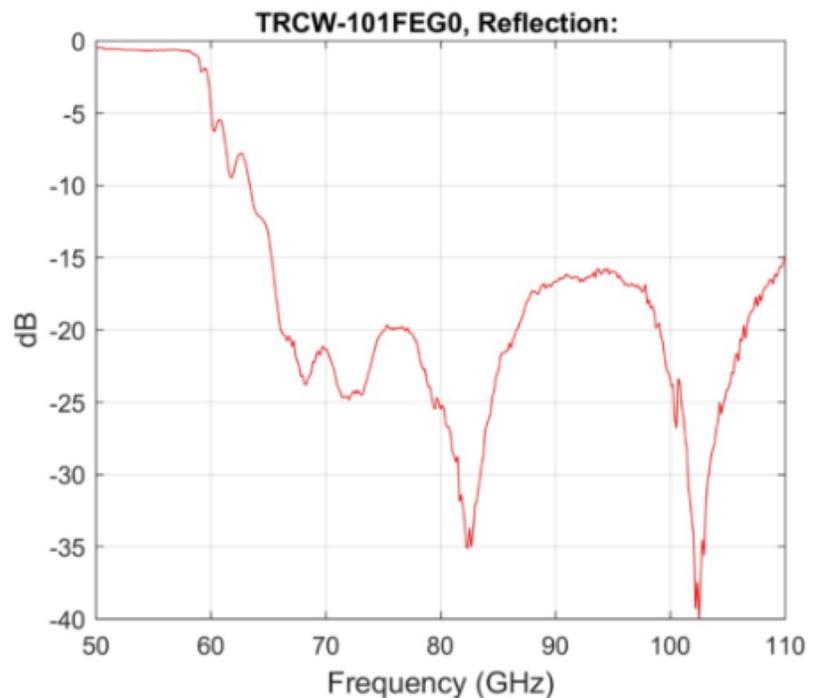
- Waveguide: WR-10, UG-387/UM
- Coax: 1.0 mm (F)
- Size: 0.73" (L) x 0.75" (D)
- Material: Brass
- Finish: Hard Gold



Outline: TRCW005-OL00 RevA



MODEL #: TRCW-101FEG0



Note: Raytech Inc. reserves the right to change the information presented without notice.