

## TRCW-101MEG0 Waveguide-Coax Adapter, W-band

### Features:

- Immediate Ship
- Return Loss: 15 dB min
- Broadband

### Electrical Specifications:

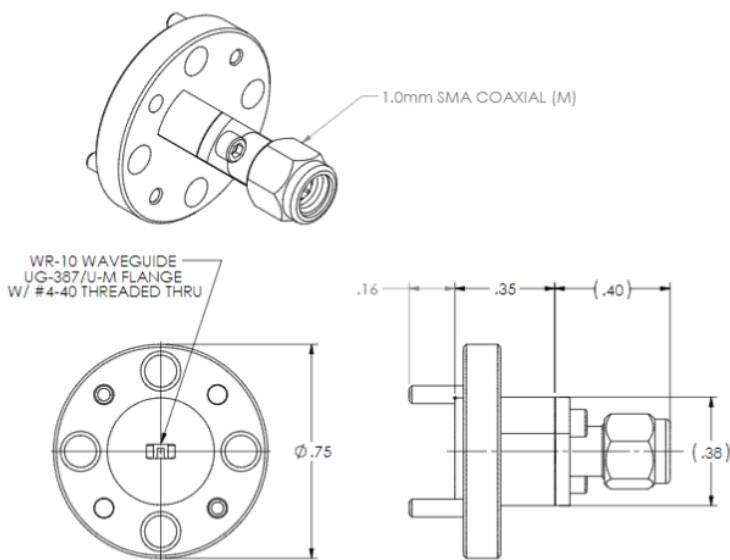
- Frequency: 67- 110 GHz
- Insertion Loss: 0.5 dB
- Return Loss: 15 dB min

### Mechanical Specifications:

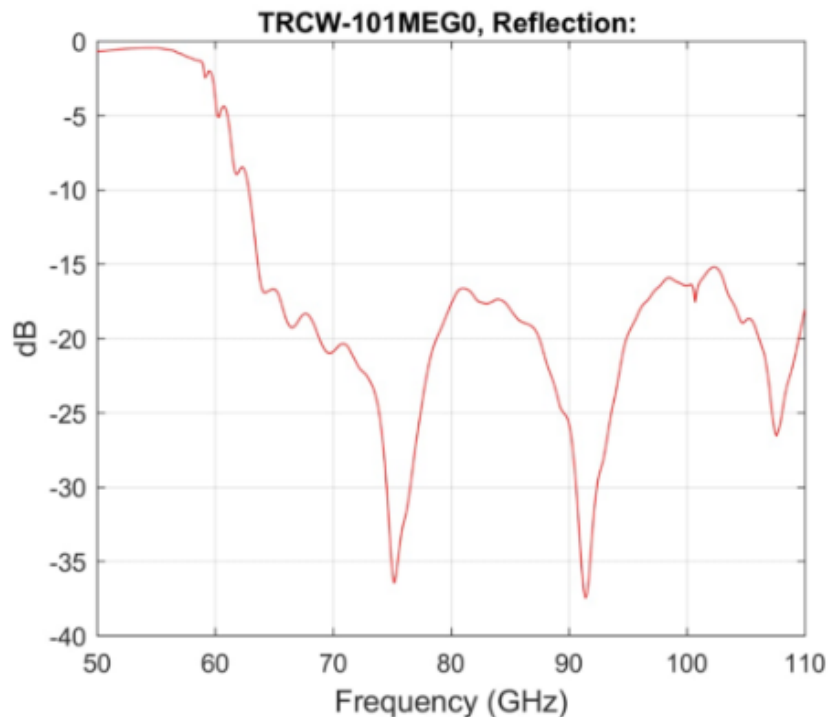
- Waveguide: WR-10, UG-387/UM
- Coax: 1.0 mm (M)
- Size: 0.75" (L) x 0.75" (D)
- Material: Brass
- Finish: Hard Gold



### Outline: TRCW005-OL00 RevA



MODEL #: TRCW-101MEG0 <sup>Ⓐ</sup>



Note: Raytech Inc. reserves the right to change the information presented without notice.