

## TRCW-121FEGB (Ultra Broadband) WAVEGUIDE-COAX ADAPTER, E-band

### Features:

- Ultra Broadband
- Return Loss: 15 dB min from 60 - 110 GHz
- Low Insertion Loss

### Electrical Specifications:

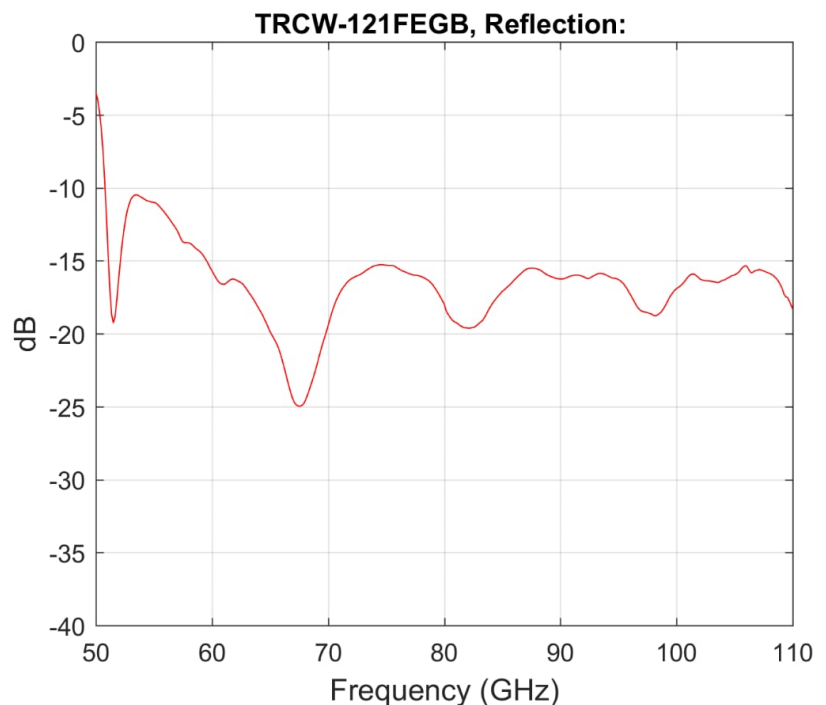
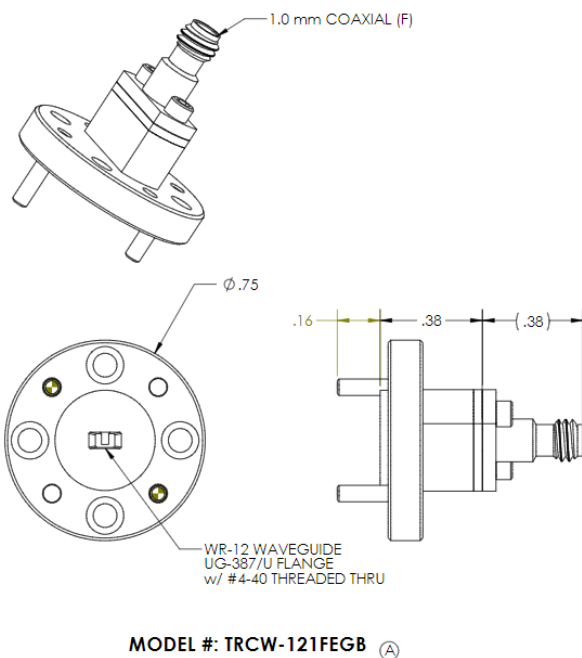
- Frequency: 60 - 110 GHz
- Insertion Loss: 0.5 dB
- Return Loss: 15 dB min.

### Mechanical Specifications:

- Waveguide: WR-12, UG-387/U
- Coax: 1.0 mm (F)
- Size: 0.92" (L) x 0.75" (D)
- Material: Aluminum
- Finish: Hard Gold



### Outline: TRCW006-OL01 RevA



Note: Raytech Inc. reserves the right to change the information presented without notice.