

TRCW-121FEG0 WAVEGUIDE-COAX ADAPTER, E-band

Features:

- Immediate Ship
- Return Loss: 15 dB min
- Broadband

Electrical Specifications:

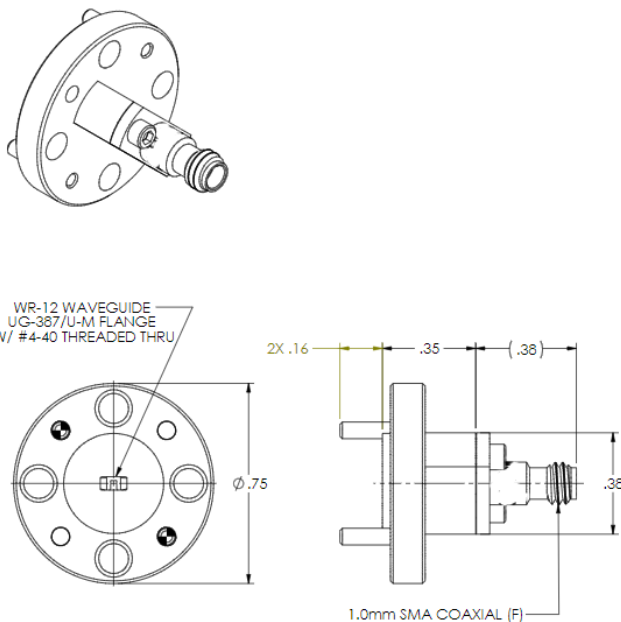
- Frequency: 60 - 90 GHz
- Insertion Loss: 0.5 dB
- Return Loss: 15 dB min.

Mechanical Specifications:

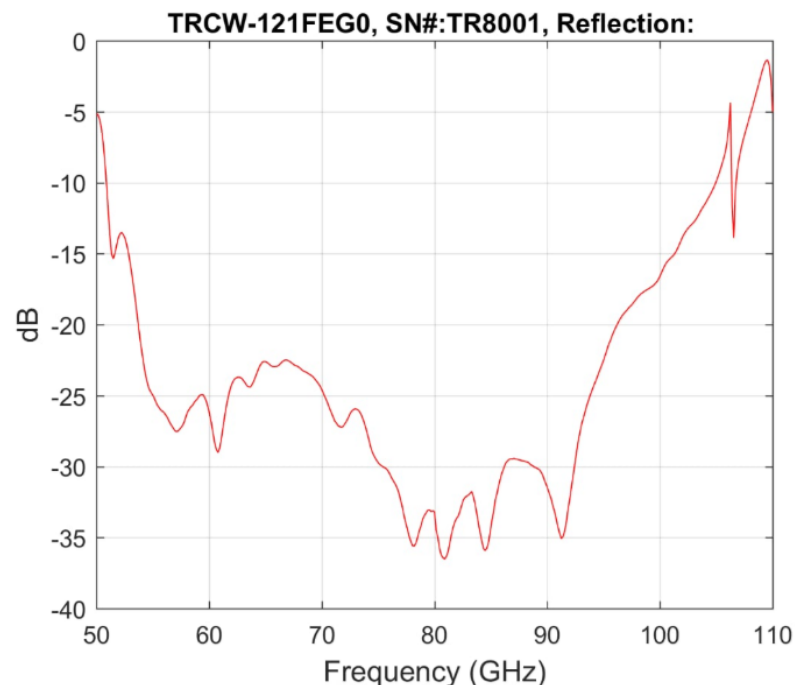
- Waveguide: WR - 12, UG-387/U
- Coax Port: 1.0 mm (F)
- Size: 0.73" (L) x 0.75" (D)
- Material: Aluminum
- Finish: Hard Gold



Outline: TRCW006-OL00 RevA



MODEL #: TRCW-121FEG0 [Ⓐ]



Note: Raytech Inc. reserves the right to change the information presented without notice.