

TRCW-121MEG0 WAVEGUIDE-COAX ADAPTER, E-band

Features:

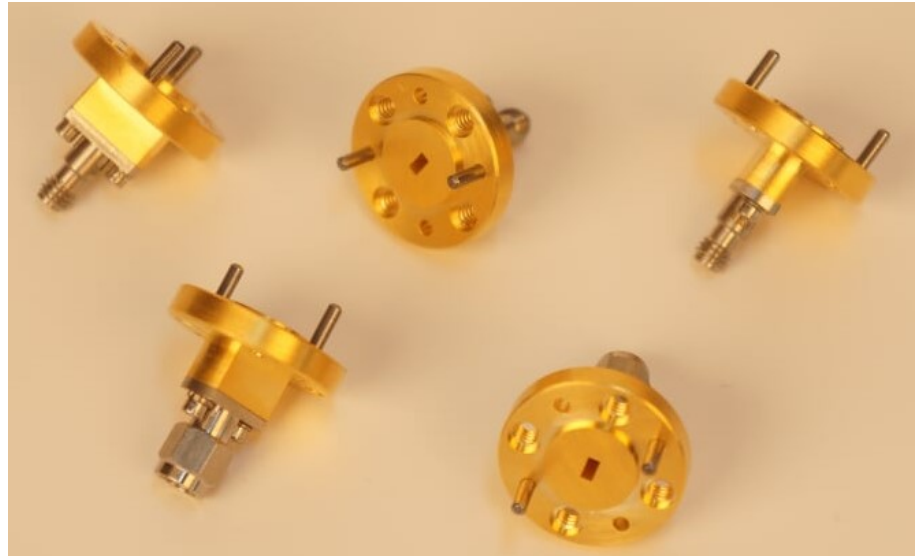
- Immediate Ship
- Return Loss: 15 dB min
- Broadband

Electrical Specifications:

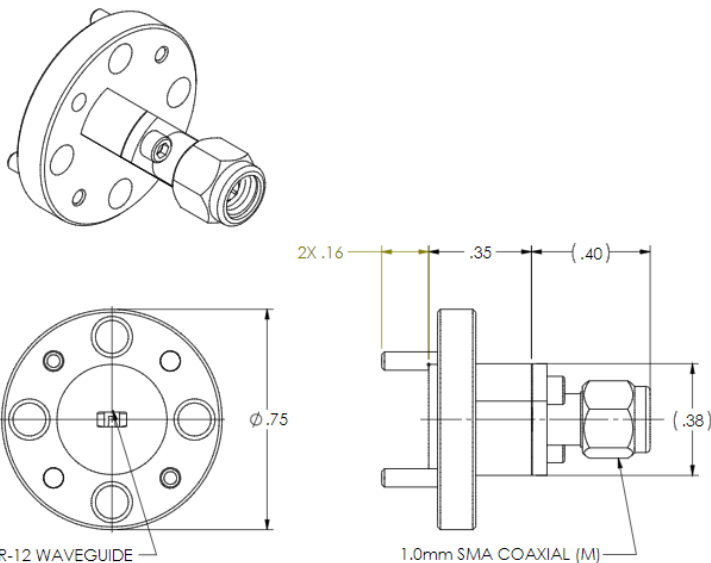
- Frequency: 60 - 90 GHz
- Insertion Loss: 0.5 dB
- Return Loss: 15 dB min.

Mechanical Specifications:

- Waveguide: WR-12, UG-387/U
- Coax Port: 1.0 mm (M)
- Size: 0.75" (L) x 0.75" (D)
- Material: Aluminum
- Finish: Hard Gold

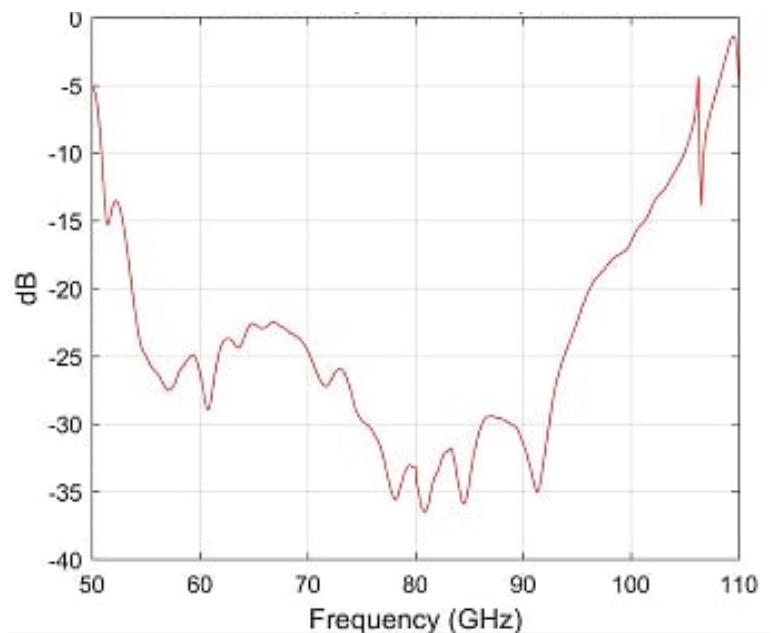


Outline: TRCW006-OL00 RevA



WR-12 WAVEGUIDE
UG-387/U-M FLANGE
W/ #4-40 THREADED THRU

MODEL #: TRCW-121MEG0 Ⓐ



Note: Raytech Inc. reserves the right to change the information presented without notice.