

TRCW-151MEGB Waveguide-Coax Adapter, V-band

Features:

- Ultra Broadband
- Return Loss: 15 dB min from 50 - 90 GHz
- Low Insertion Loss

Electrical Specifications:

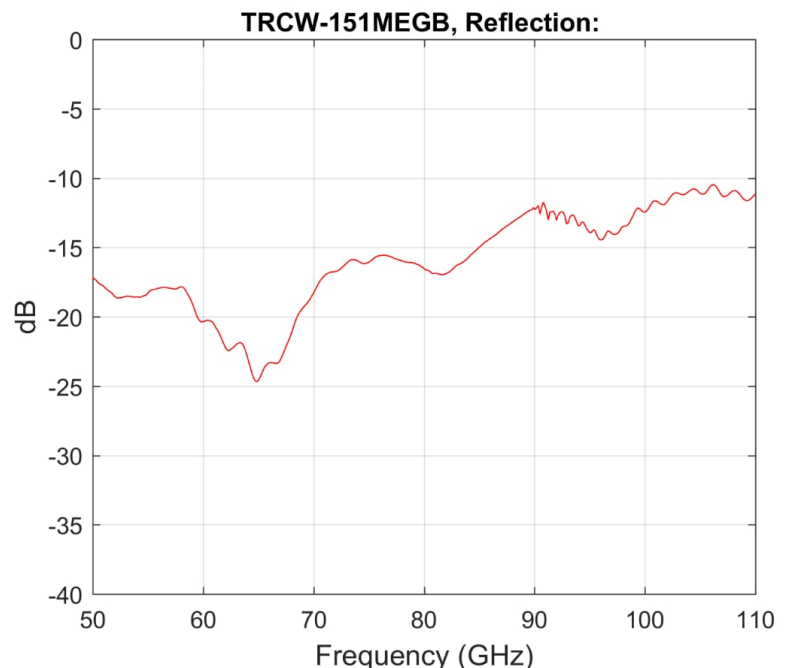
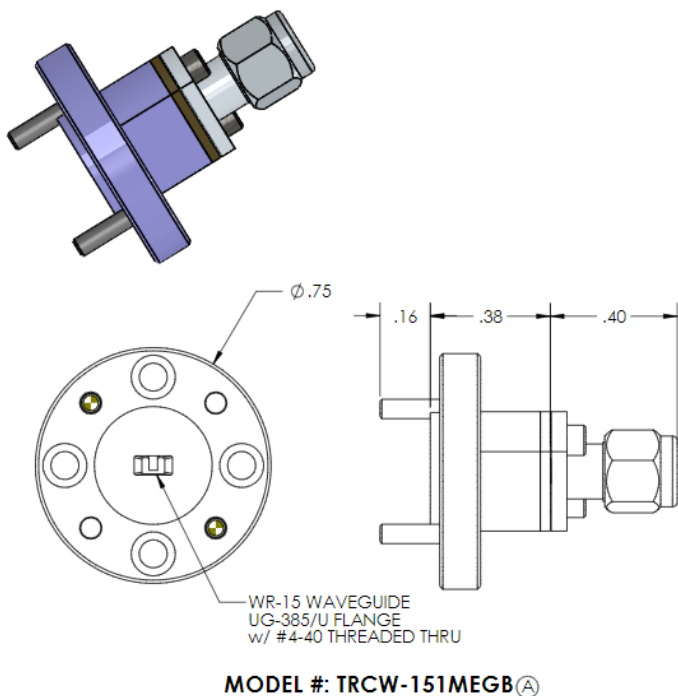
- Frequency: 50– 90 GHz
- Insertion Loss: 0.4 dB
- Return Loss: 15 dB min

Mechanical Specifications:

- Waveguide: WR-15, UG-385/U
- Coax: 1.0 mm (F)
- Size: 0.94" (L) x 0.75" (D)
- Material: Aluminum
- Finish: Hard Gold



Outline: TRCW007-OL01 RevA



Note: Raytech Inc. reserves the right to change the information presented without notice.