

## TRCW-151FEG0 Waveguide-Coax Adapter, V-band

### Features:

- Immediate Ship
- Return Loss: 15 dB min
- Broadband

### Electrical Specifications:

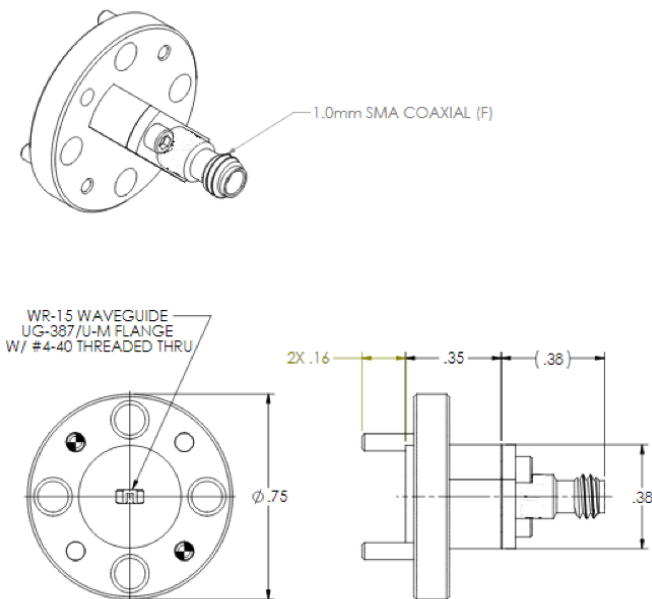
- Frequency: 50– 75 GHz
- Insertion Loss: 0.4 dB
- Return Loss: 15 dB min

### Mechanical Specifications:

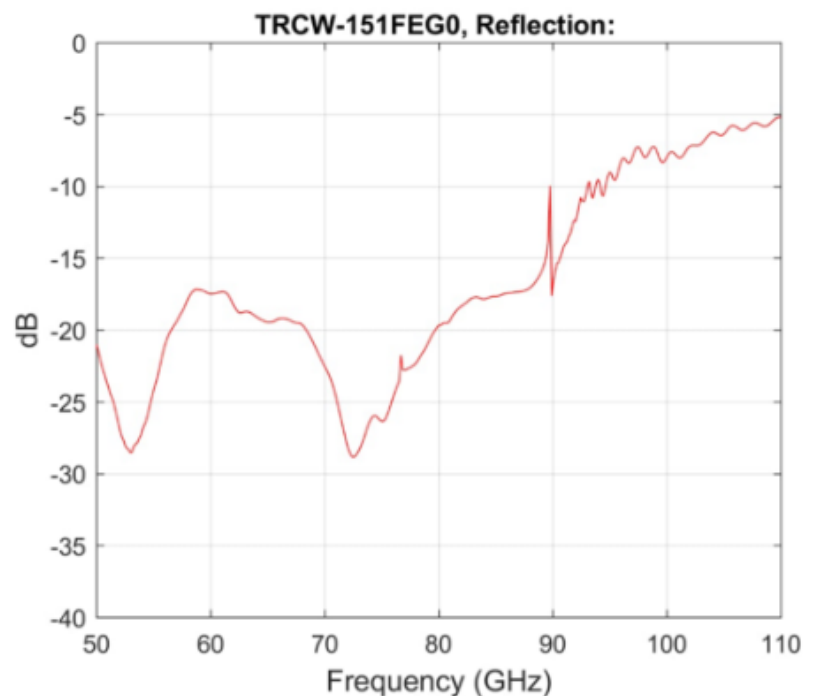
- Waveguide: WR-15, UG-385/U
- Coax: 1.0 mm (F)
- Size: 0.73" (L) x 0.75" (D)
- Material: Aluminum
- Finish: Hard Gold



**Outline:** TRCW007-OL00 RevA



MODEL #: TRCW-151FEG0 Ⓐ



**Note:** Raytech Inc. reserves the right to change the information presented without notice.