

TRCW-198FEG0 (Female) & TRCW-198MEG0 (Male) WAVEGUIDE-COAX ADAPTER, U-band

Features:

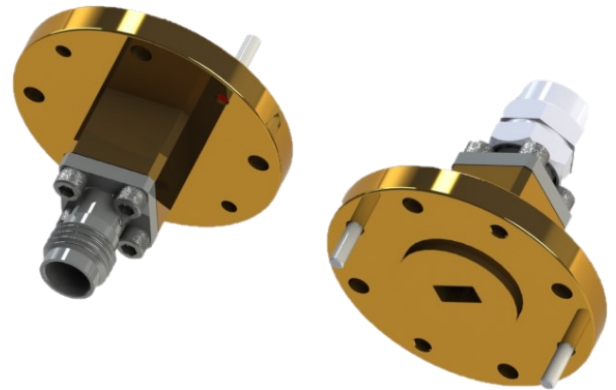
- WR-19 to 1.85 mm in End-Launch Configuration
- Return Loss: 15 dB min
- Broadband

Electrical Specifications:

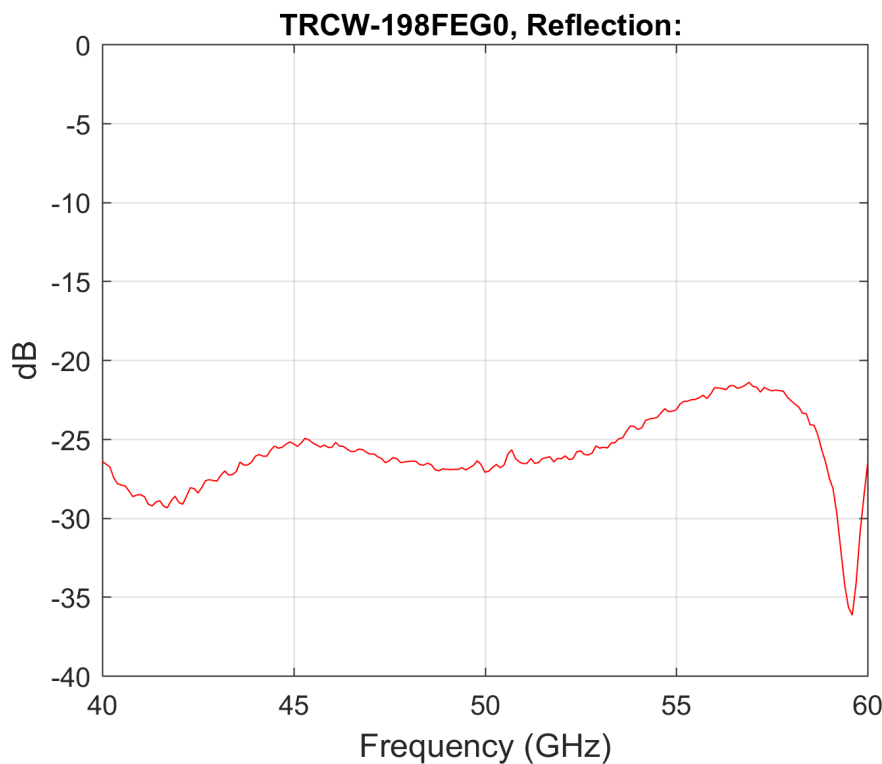
- Frequency: 40.0-60.0 GHz
- Insertion Loss: 0.3 dB
- Return Loss: 20 dB typical, 15 dB min

Mechanical Specifications:

- Waveguide: WR - 19, UG-383/U
- Coax: 1.85 mm
- Size: 1.125" (dia.) x 0.98: (Length)
- Material: Aluminum
- Finish: Hard Gold

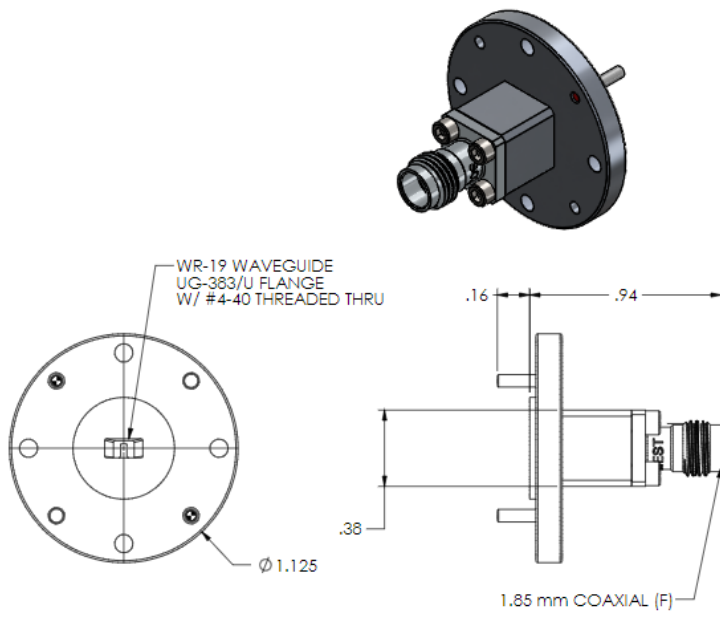


Typical Test Data:

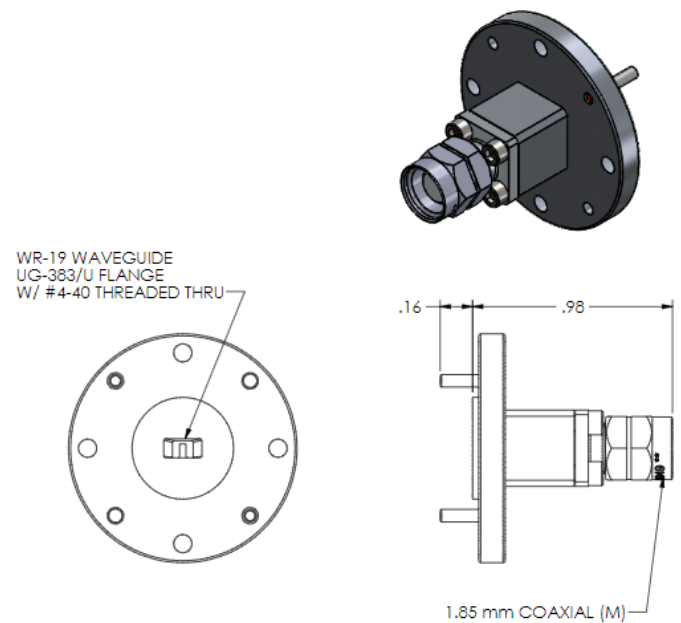


TRCW-198FEG0 (Female) & TRCW-198MEG0 (Male) WAVEGUIDE-COAX ADAPTER, U-band

Outline Drawing:



MODEL #: TRCW-198FEG0



MODEL #: TRCW-198MEG0

Note: Raytech Inc. reserves the right to change the information presented without notice.