

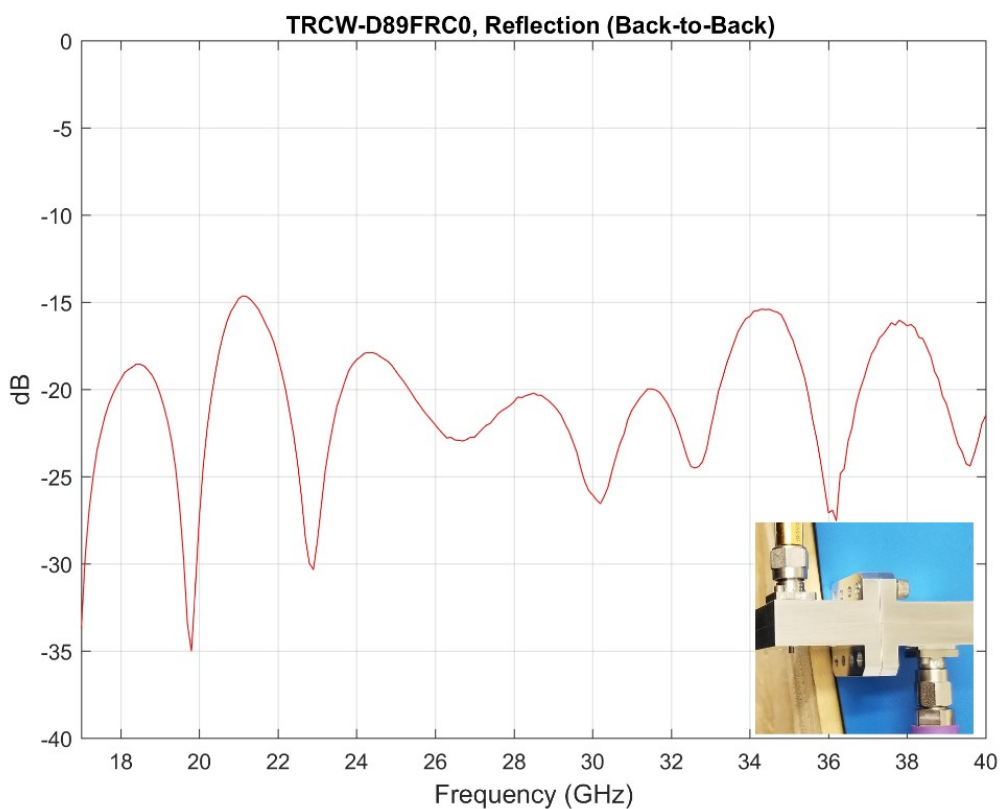
TRCW-D89FRG0 & TRCW-D89MRG0 Waveguide-Coax Adapter, 18 - 40 GHz

Electrical Specifications:

- Passband Frequency: 18 - 40 GHz
- Passband Insertion Loss: 0.3 dB
- Passband Return Loss: 15 dB min

Mechanical Specifications:

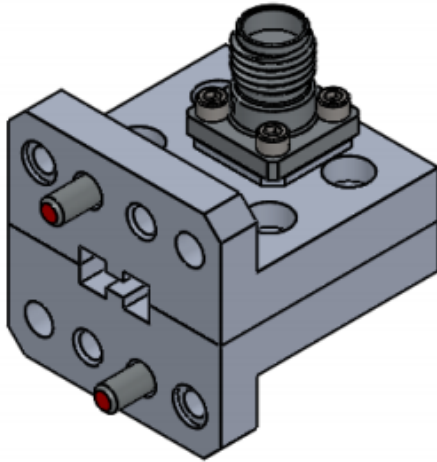
- Waveguide: WR-180, UG-1587
- Coax: 2.92 mm
- Size: 0.9" x 0.9" x 0.9"
- Material: Aluminum
- Finish: Hard Gold



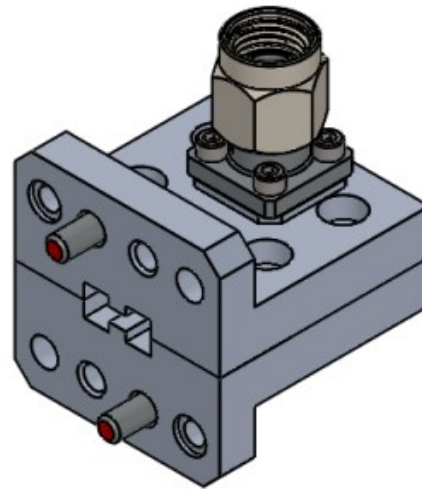
Note: Raytech Inc. reserves the right to change the information presented without notice.

TRCW-D89FRG0 & TRCW-D89MRG0 Waveguide-Coax Adapter, 18 - 40 GHz

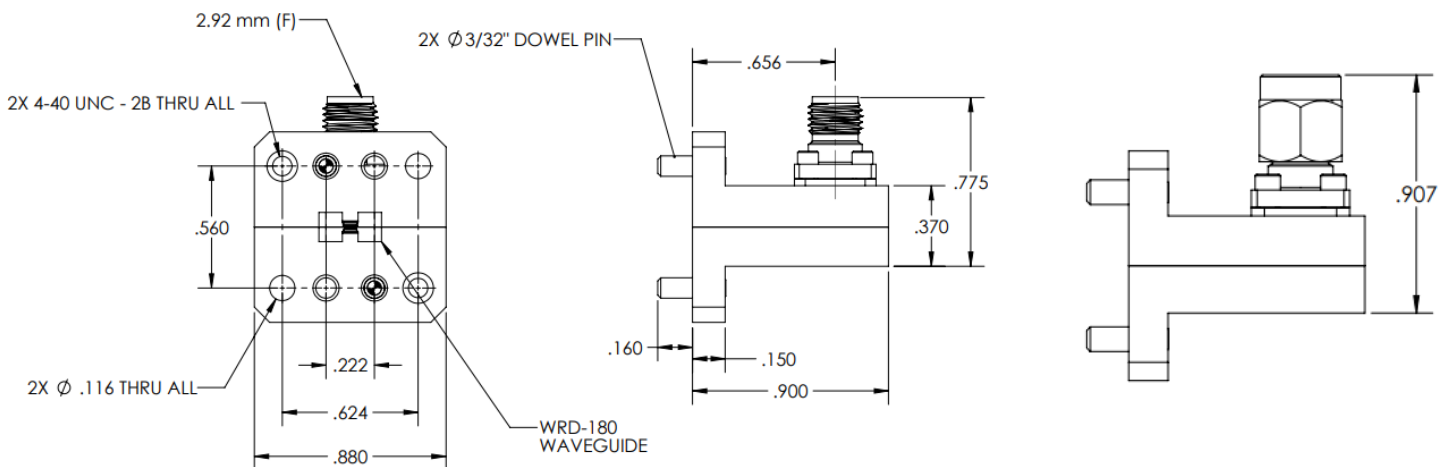
Outline: TRCW020-OL00



MODEL #: TRCW-D89FRG0



MODEL #: TRCW-D89MRG0



Note: Raytech Inc. reserves the right to change the information presented without notice.