

TRCW-349FRC0 (Female) & TRCW-349MRC0 (Male) Waveguide-Coax Adapter, WR-34, UG-595/U Flange

Features:

- Low Insertion Loss and Return Loss
- Broadband Coverage
- Center Pin DC Open

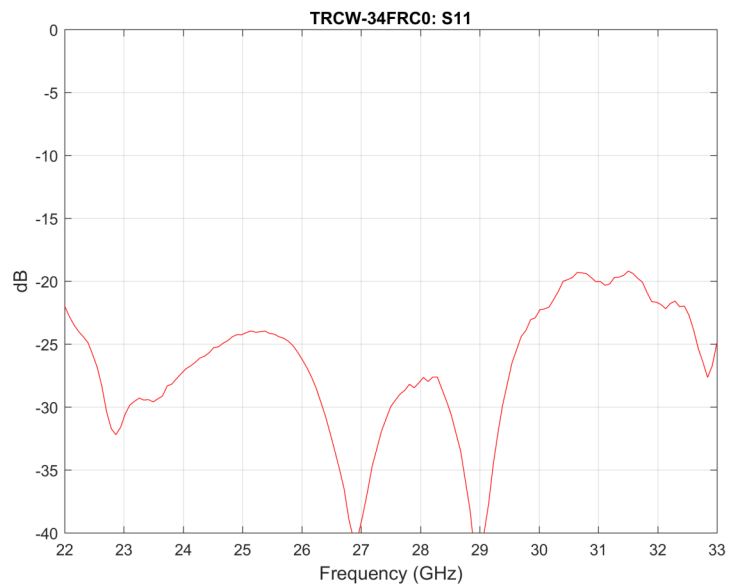
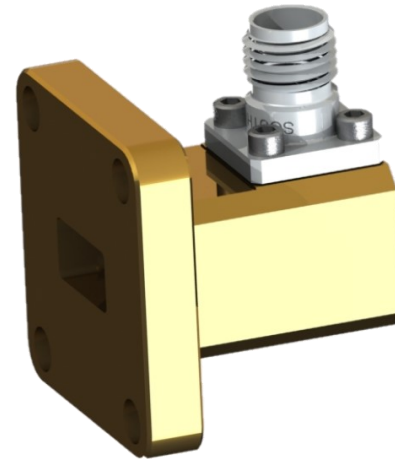
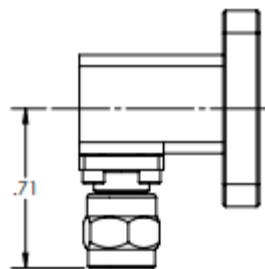
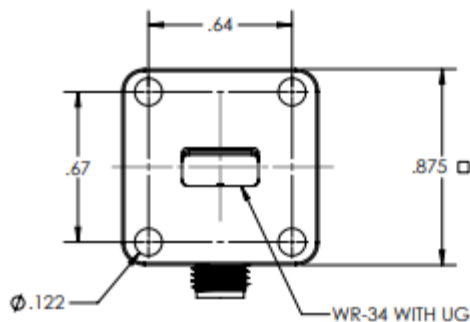
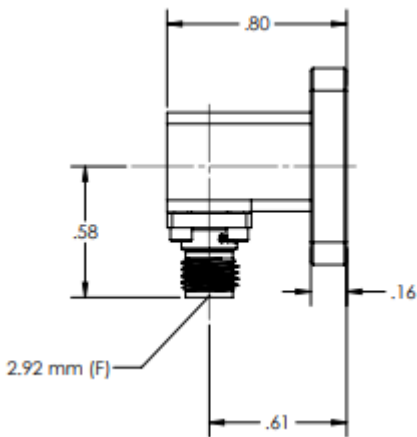
Electrical Specifications:

- Frequency: 22.0-33.0 GHz
- Insertion Loss: 0.3 dB
- VSWR: 1.25:1

Mechanical Specifications:

- Waveguide: WR-22, UG-599/U
- Coax: 2.92 mm
- Size: 0.875" SQ x 0.8" (Length)
- Material: Aluminum
- Finish: Hard Gold

Outline: TRCW024-OL00



Note: Raytech Inc. reserves the right to change the information presented without notice.