

## TRCW-759FRC0 Waveguide-Coax Adapter, Ku-band

### Features:

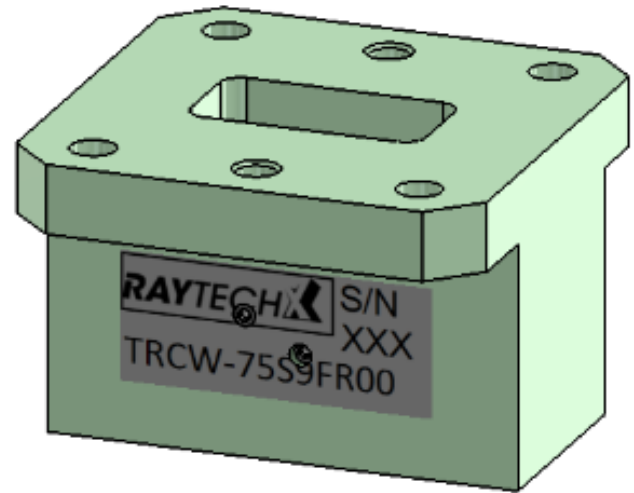
- 20 dB min Return Loss
- Full Waveguide Band
- Low Insertion Loss

### Electrical Specifications:

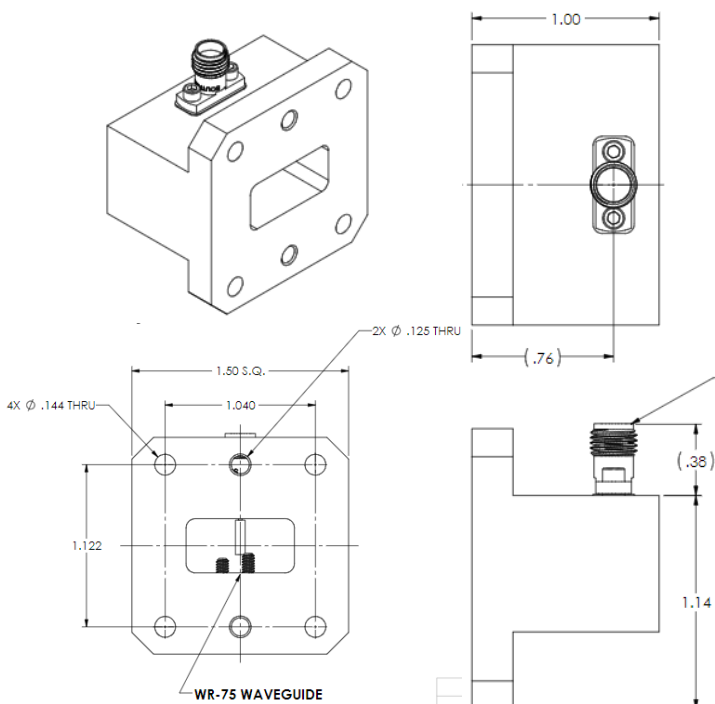
- Frequency: 10.0 – 15.0 GHz
- Insertion Loss: 0.15 dB
- Return Loss: 20 dB

### Mechanical Specifications:

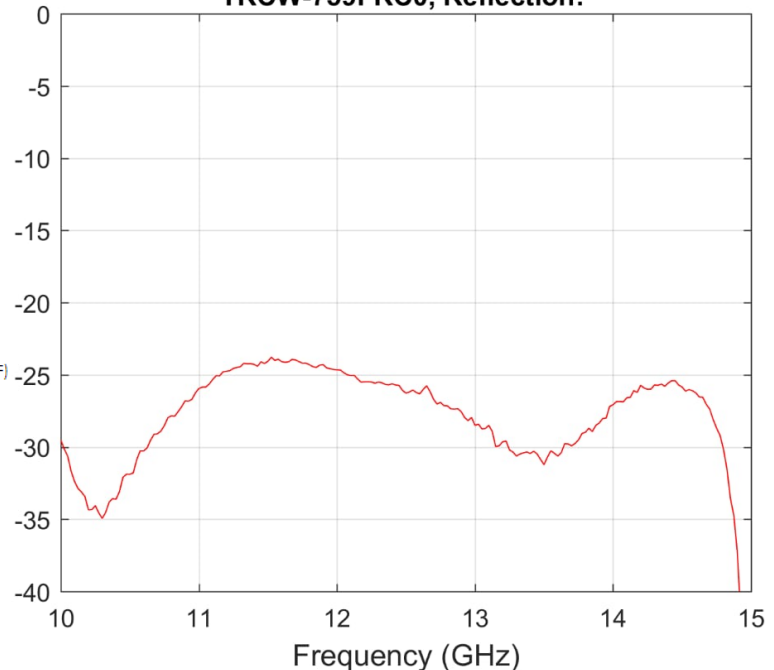
- Waveguide: WR-75
- Flange Pattern: C Outline Drawing
- Coax: 2.92 mm (F)
- Size: 1.50" x 1.52" x 1.00"
- Material: Aluminum



### Outline: TRCW011-OL00



TRCW-759FRC0, Reflection:



Note: Raytech Inc. reserves the right to change the information presented without notice.