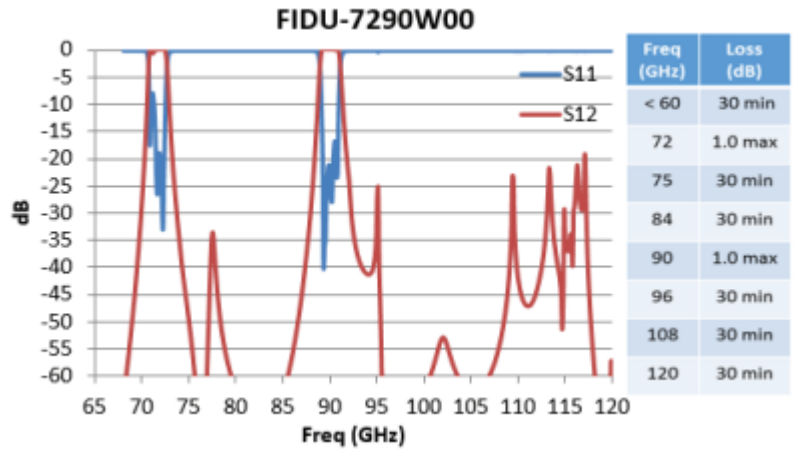


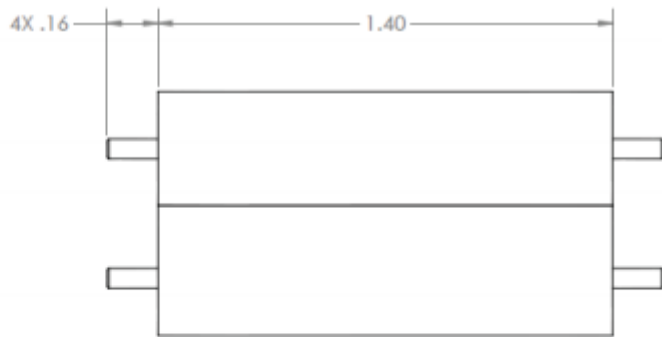
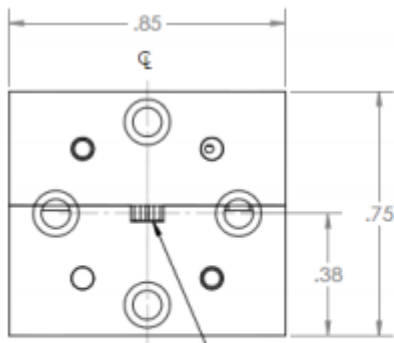
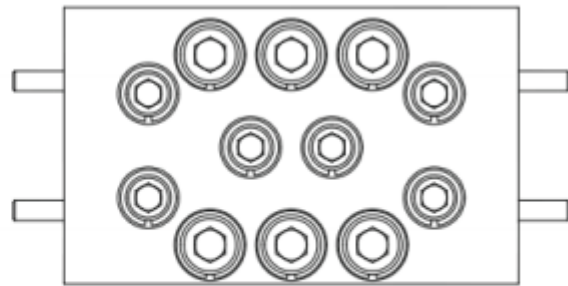
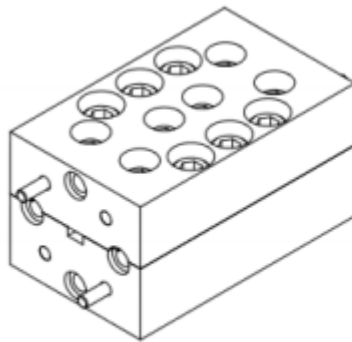
FIDU-7290W00 Dual band Filter

Electrical Specifications:

- Passband Frequency: 72.0 & 90.0 GHz
- VSWR: 1.5:1
- Insertion Loss: 1.0 dB
- Rejection 30 dB min. at below 60, 75, 84, 96, 108 and 120 GHz
- Port: WR-10, UG-387/U-M
- Aluminum / Chromate



Outline:



WR-10 WAVEGUIDE
UG-387/U FLANGE
BOTH ENDS.

Note: Raytech Inc. reserves the right to change the information presented without notice.