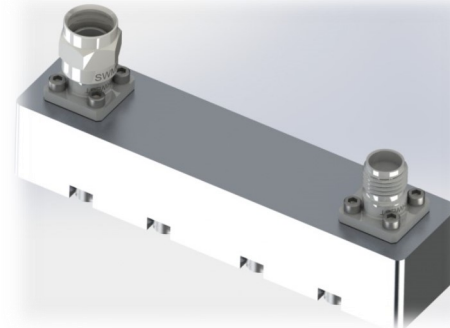


FIHI-26A2090 HIGHPASS FITLER, 26 - 40 GHz, 2.92 mm

Features:

- 2 Weeks Lead Time
- Low Cost
- High Rejection
- High Power Handling



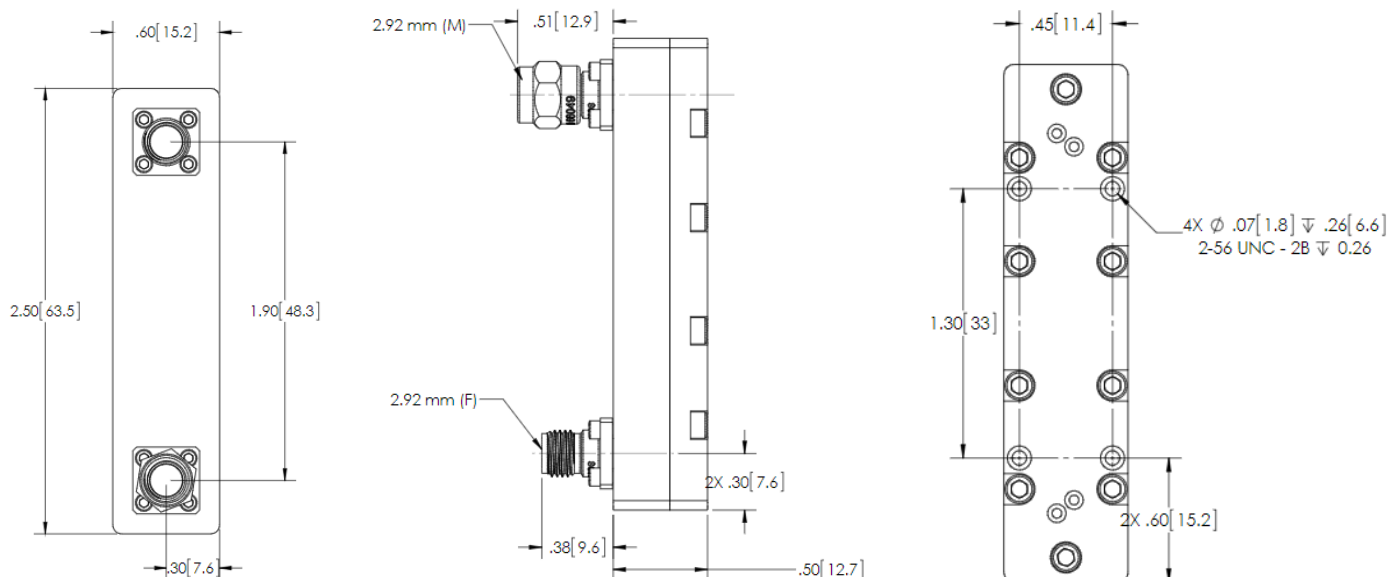
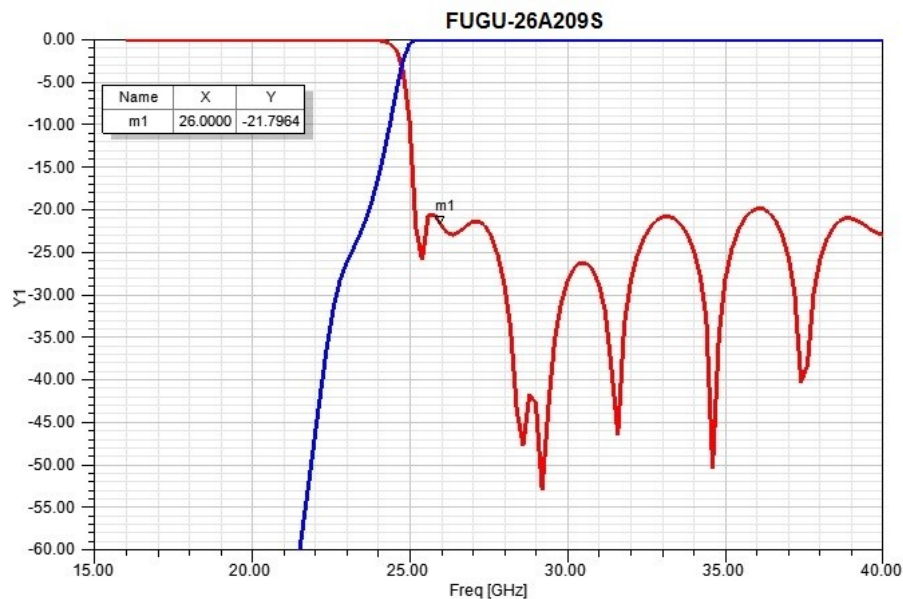
Electrical Specifications:

- Passband: 26 - 40 GHz
- Insertion Loss: 2.0 dB max
- Return Loss: 15 dB
- Rejection (60 dB): < 20 GHz

Mechanical Specifications:

- Port: 2.92 mm, Male & Female
- Size: 2.50" (L) X 0.60" (W) X 0.50" (T)
- Material: Aluminum
- Finish: Chromate

Outline: FIHI004-OL00



Note: Raytech Inc. reserves the right to change the information presented without notice.