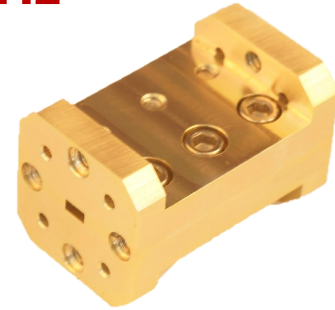


FIHI-50V2B0 HIGHPASS FILTER, WR-15, Above 50 GHz

Features:

- 2 Weeks Lead Time
- Low Cost
- High Rejection
- High Power Handling



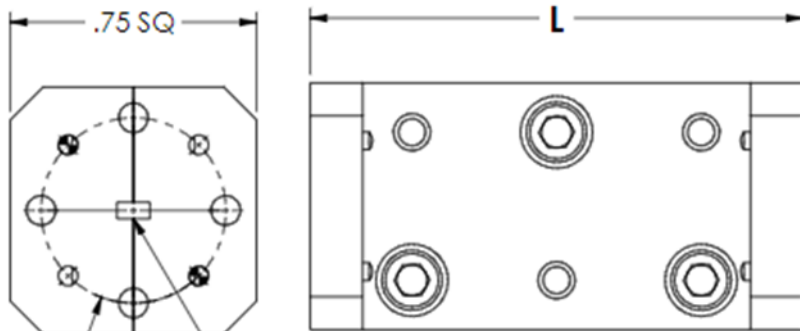
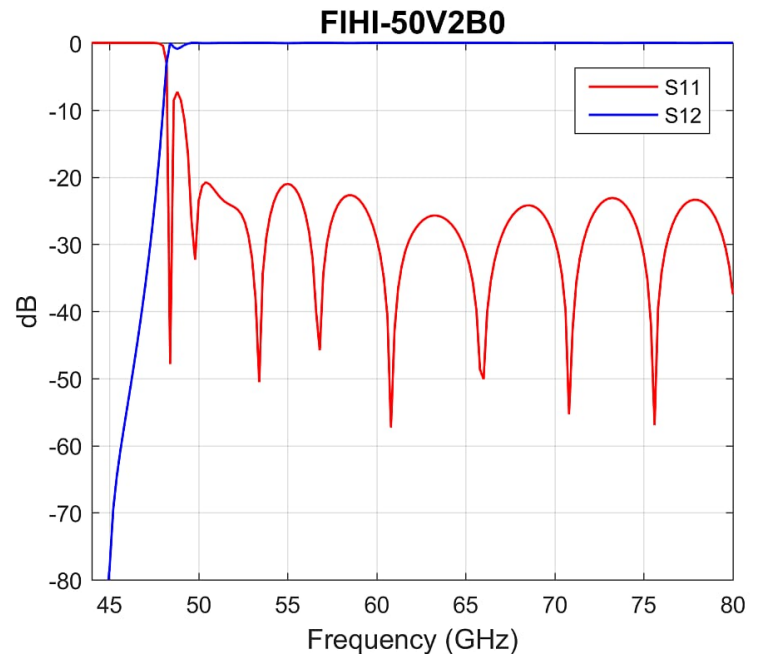
Electrical Specifications:

- Lowest Passband: 50 GHz
- Insertion Loss: 0.7 dB
- Return Loss: 18 dB
- Rejection (40 dB): < 46.5 GHz

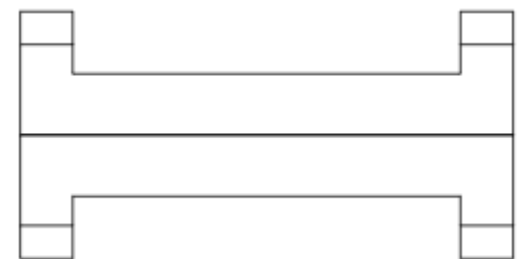
Mechanical Specifications:

- Port: WR-15, UG-385/U
- Size: 1.25" (L) X 0.75" (W) X 0.75" (W)
- Material: Aluminum
- Finish: Chromate

Outline: FIBL001-OL00-002



WR-8 W/ UG-387/U-M FLANGE
WR-10 W/ UG-378/U-M FLANGE
WR-12 W/ UG-387/U FLANGE
WR-15 W/ UG-385/U FLANGE



DASH	L (inch)
-001	1.00
-002	1.25
-003	1.50
-004	1.75
-005	2.00

Note: Raytech Inc. reserves the right to change the information presented without notice.