

## FIHI-60E1B0 HIGHPASS FILTER, WR-12, Above 60 GHz

### Features:

- 2 Weeks Lead Time
- Low Cost
- High Rejection
- High Power Handling

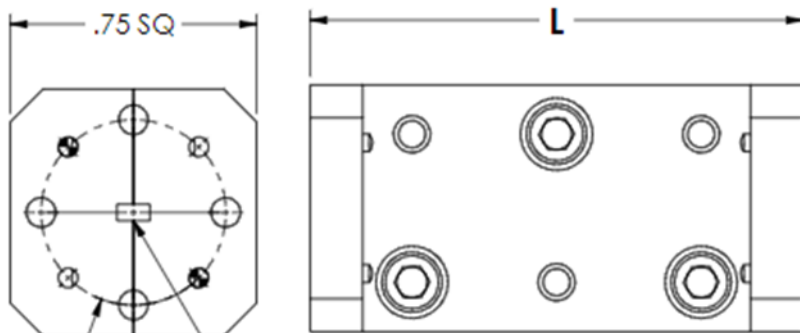
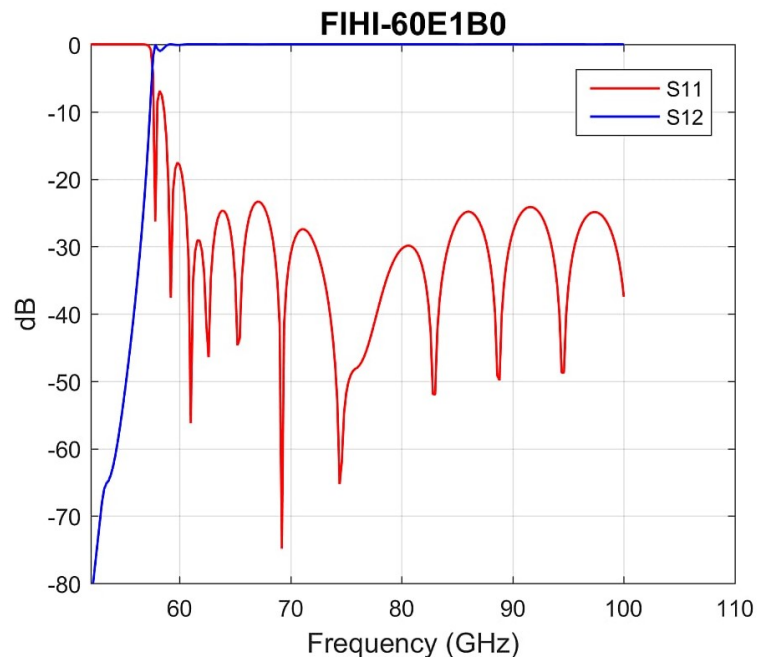
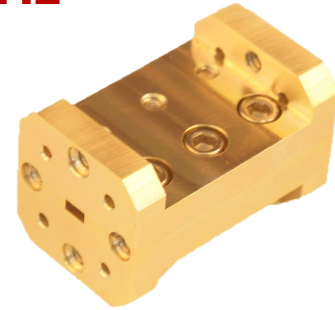
### Electrical Specifications:

- Lowest Passband: 60 GHz
- Insertion Loss: 0.8 dB
- Return Loss: 18 dB
- Rejection (40 dB): < 55.5 GHz

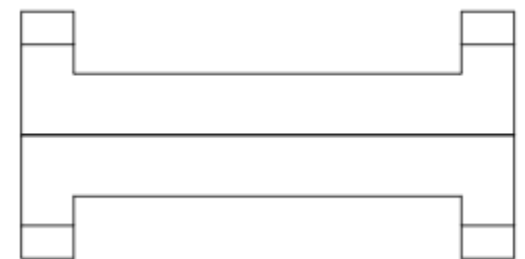
### Mechanical Specifications:

- Port: WR-12, UG-387/U
- Size: 1.00" (L) X 0.75" (W) X 0.75" (W)
- Material: Aluminum
- Finish: Chromate

**Outline:** FIBL001-OL00-001



WR-8 W/ UG-387/U-M FLANGE  
WR-10 W/ UG-378/U-M FLANGE  
WR-12 W/ UG-387/U FLANGE  
WR-15 W/ UG-385/U FLANGE



DASH	L (inch)
-001	1.00
-002	1.25
-003	1.50
-004	1.75
-005	2.00

**Note:** Raytech Inc. reserves the right to change the information presented without notice.