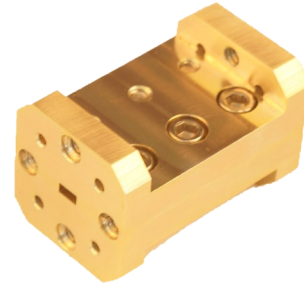


FILO-75V00 LOWPASS FITLER, WR-15, 50 - 75 GHz

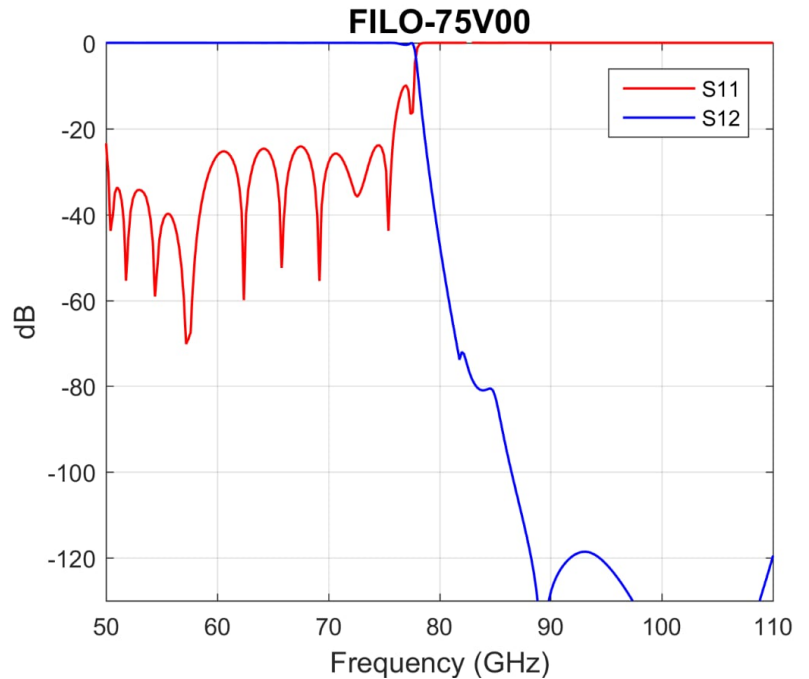
Features:

- 2 Weeks Lead Time
- Low Cost
- High Rejection
- High Power Handling



Electrical Specifications:

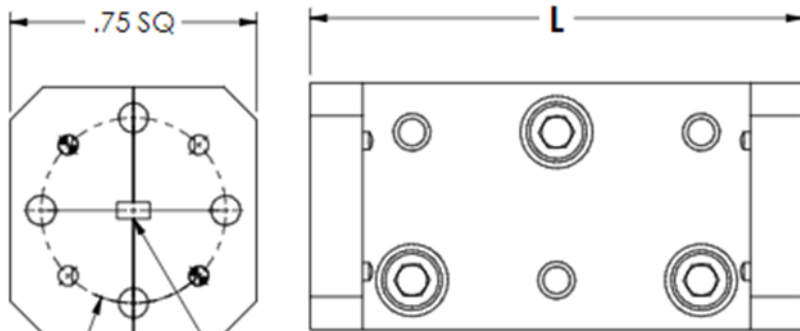
- Passband Frequency: 50 - 75 GHz
- Passband Insertion Loss: 0.8 dB
- Passband Return Loss: 18 dB min.
- Rejection (40 dB): 80 - 113 GHz
- Waveguide Cutoff: 47.2 GHz



Mechanical Specifications:

- Port: WR-15, UG-385/U
- Size: 1.00" (L) X 0.75" (W) X 0.75" (W)
- Material: Aluminum
- Finish: Chromate

Outline: FIBL001-OL00-001



WR-8 W/ UG-387/U-M FLANGE
WR-10 W/ UG-378/U-M FLANGE
WR-12 W/ UG-387/U FLANGE
WR-15 W/ UG-385/U FLANGE

DASH	L (inch)
-001	1.00
-002	1.25
-003	1.50
-004	1.75
-005	2.00

Note: Raytech Inc. reserves the right to change the information presented without notice.