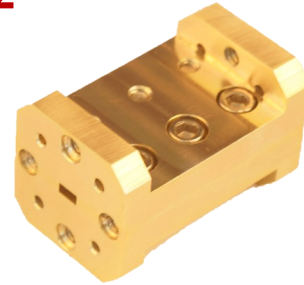


FILO-102W00 LOWPASS FITLER, WR-10, 75– 102 GHz

Features:

- 2 Weeks Lead Time
- Low Cost
- High Rejection
- High Power Handling

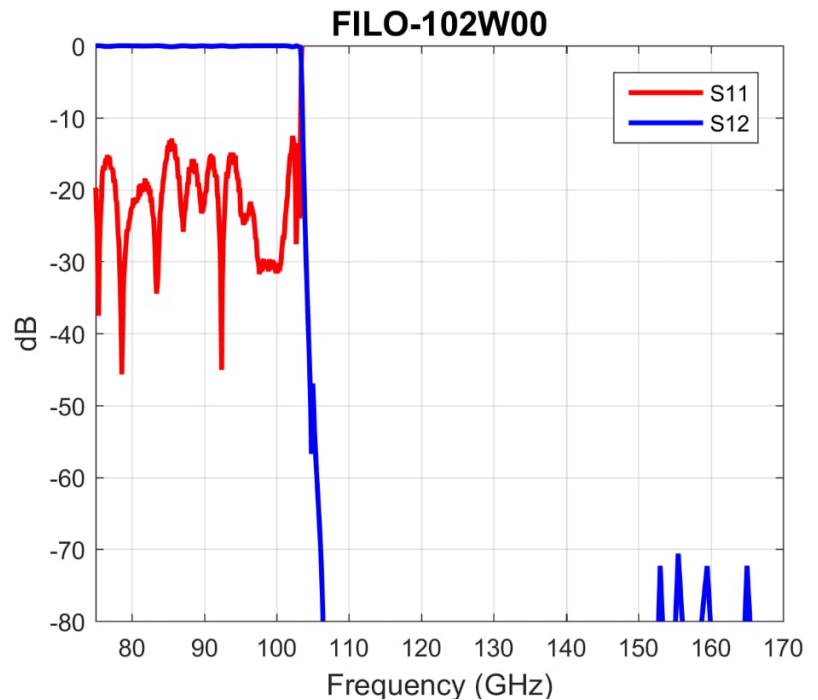


Electrical Specifications:

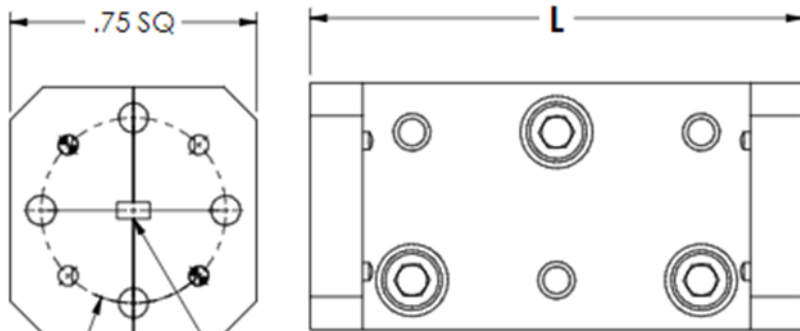
- Passband Frequency: 75 - 102 GHz
- Passband Insertion Loss: 2.0 dB
- Passband Return Loss: 15 dB min.
- Rejection (40 dB): 105 - 140 GHz
- Waveguide Cutoff: 63.1 GHz

Mechanical Specifications:

- Port: WR-10, UG-387/UM
- Size: 1.25" (L) X 0.75" (W) X 0.75" (W)
- Material: Aluminum
- Finish: Chromate



Outline: FIBL001-OL00-002 Rev A



WR-8 W/ UG-387/U-M FLANGE
WR-10 W/ UG-378/U-M FLANGE
WR-12 W/ UG-387/U FLANGE
WR-15 W/ UG-385/U FLANGE

DASH	L (inch)
-001	1.00
-002	1.25
-003	1.50
-004	1.75
-005	2.00

Note: Raytech Inc. reserves the right to change the information presented without notice.