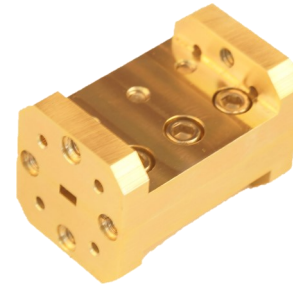


## FIST-A501W00 BANDSTOP FITLER, WR-10, 105 GHz

### Features:

- Low Cost
- High Rejection
- High Power Handling

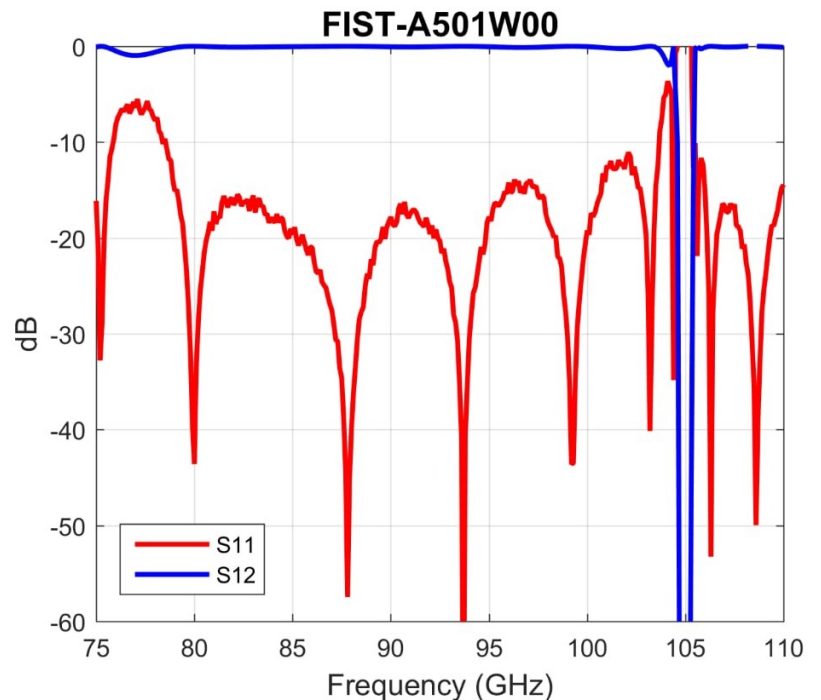


### Electrical Specifications:

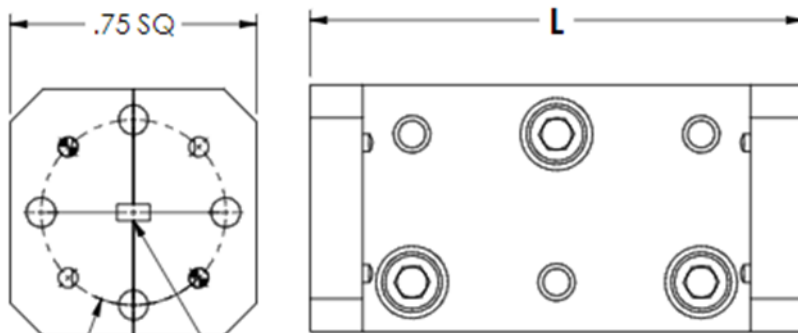
- Passband Frequency: 78 - 110 GHz
- Passband Insertion Loss: 2 dB
- Passband Return Loss: 15 dB
- Bandstop (60 dB): 105 GHz

### Mechanical Specifications:

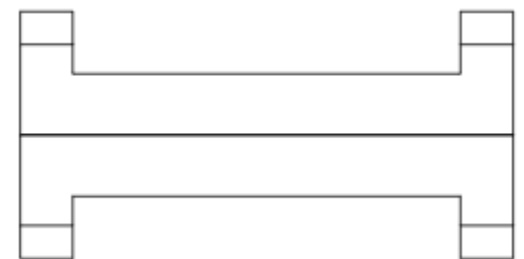
- Port: WR-10, UG-387/UM
- Size: 1.00" (L) X 0.75" (W) X 0.75" (W)
- Material: Aluminum
- Finish: Chromate



### Outline: FIBL001-OL00-001 Rev A



WR-8 W/ UG-387/U-M FLANGE  
WR-10 W/ UG-378/U-M FLANGE  
WR-12 W/ UG-387/U FLANGE  
WR-15 W/ UG-385/U FLANGE



| DASH | L (inch) |
|------|----------|
| -001 | 1.00     |
| -002 | 1.25     |
| -003 | 1.50     |
| -004 | 1.75     |
| -005 | 2.00     |

Note: Raytech Inc. reserves the right to change the information presented without notice.