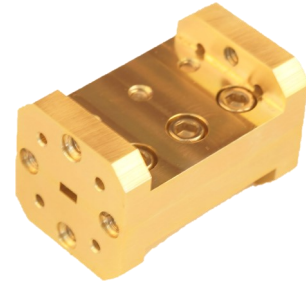


## FIBP-6325V1A0 BANDPASS FILTER, WR-15, 50.0 - 75.0 GHz

### Features:

- 2 Weeks Lead Time
- Low Cost
- High Rejection
- High Power Handling



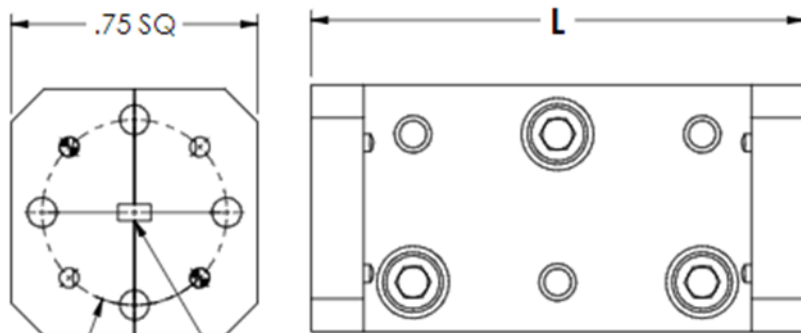
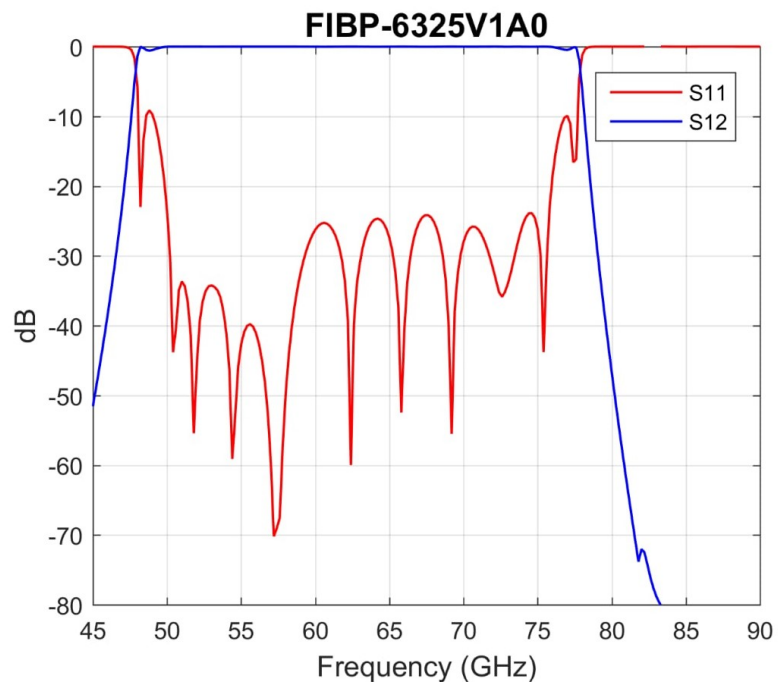
### Electrical Specifications:

- Passband Frequency: 50.0 - 75.0 GHz
- Passband Insertion Loss: 0.6 dB
- Passband Return Loss: 18 dB
- Rejection (40 dB): < 45.5 GHz and 80 - 115 GHz

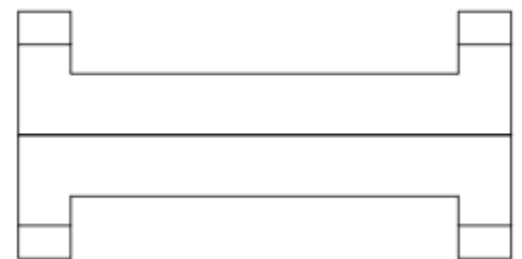
### Mechanical Specifications:

- Port: WR-15, UG-385/U
- Size: 1.00" (L) X 0.75" (W) X 0.75" (W)
- Material: Aluminum
- Finish: Chromate

### Outline: FIBL001-OL00-001



WR-8 W/ UG-387/U-M FLANGE  
WR-10 W/ UG-378/U-M FLANGE  
WR-12 W/ UG-387/U FLANGE  
WR-15 W/ UG-385/U FLANGE



DASH	L (inch)
-001	1.00
-002	1.25
-003	1.50
-004	1.75
-005	2.00

Note: Raytech Inc. reserves the right to change the information presented without notice.