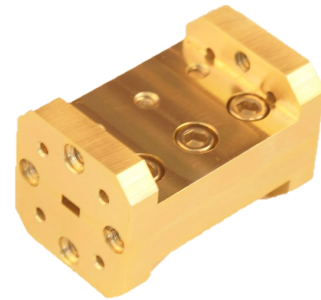


## FIBP-9402W00 BANDPASS FITLER, WR-10, 93 - 95 GHz

### Features:

- 2 Weeks Lead Time
- Low Cost
- High Rejection
- High Power Handling

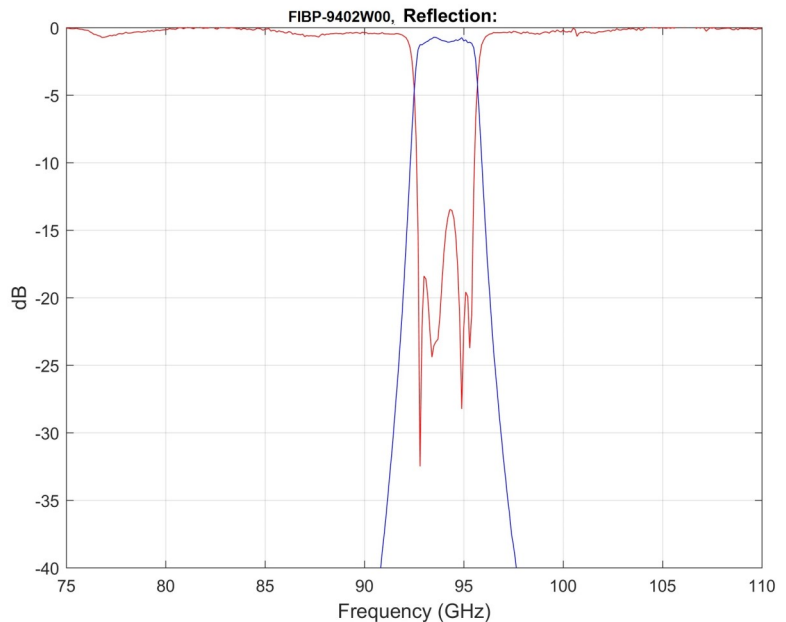


### Electrical Specifications:

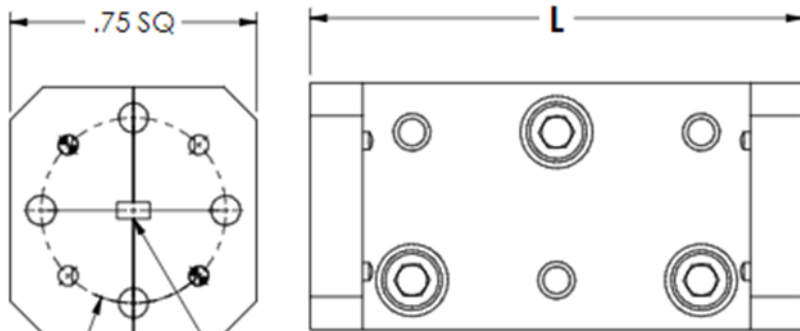
- Passband Frequency: 93.0 - 95.0 GHz
- Passband Insertion Loss: 1.0 dB
- Passband Return Loss: 15 dB
- Rejection (40 dB): < 91 GHz and >97 GHz

### Mechanical Specifications:

- Port: WR-10, UG-387/UM
- Size: 1.00" (L) X 0.75" (W) X 0.75" (W)
- Material: Aluminum
- Finish: Chromate



### Outline: FIBL001-OL00-001



WR-8 W/ UG-387/U-M FLANGE  
 WR-10 W/ UG-378/U-M FLANGE  
 WR-12 W/ UG-387/U FLANGE  
 WR-15 W/ UG-385/U FLANGE

DASH	L (inch)
-001	1.00
-002	1.25
-003	1.50
-004	1.75
-005	2.00

Note: Raytech Inc. reserves the right to change the information presented without notice.