

TRCW-289FEC0 Waveguide-Coax Adapter, Ka-band

Features:

- End-Launch with **Center Pin DC Open**
- Immediate Ship
- Return Loss: 18 dB
- Full Waveguide BandBroadband

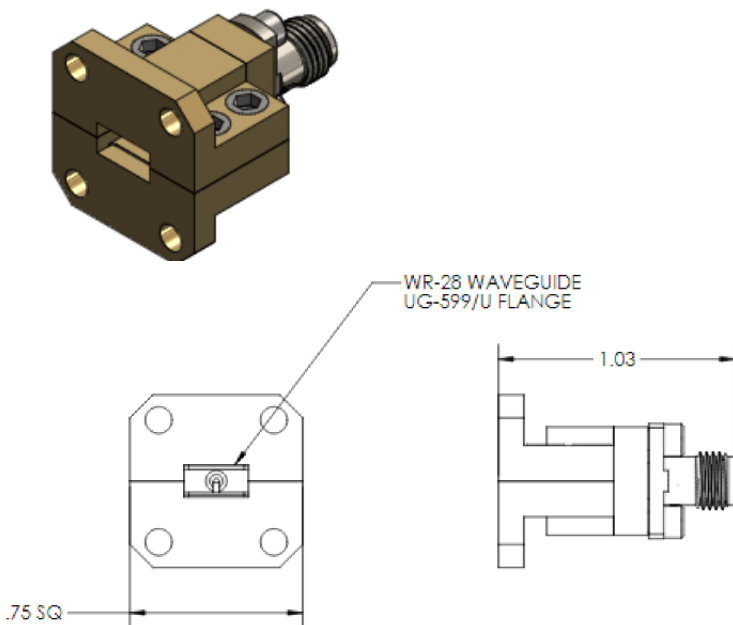
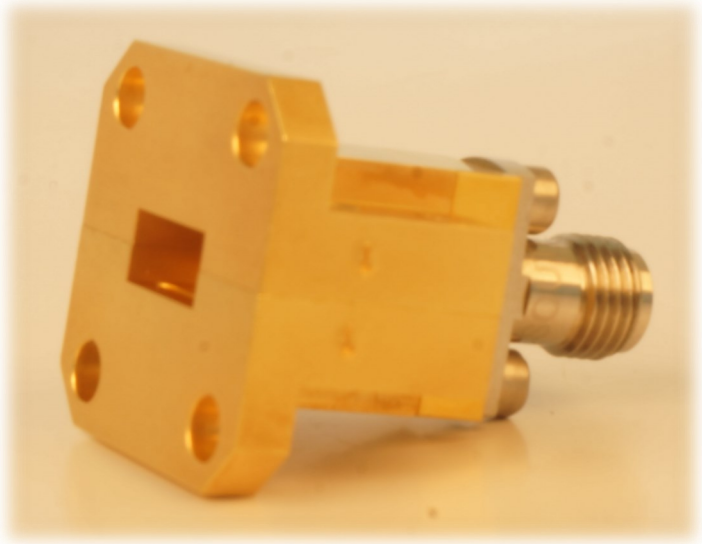
Electrical Specifications:

- Frequency: 26.5– 40.0 GHz
- Insertion Loss: 0.3 dB
- Return Loss: 18 dB

Mechanical Specifications:

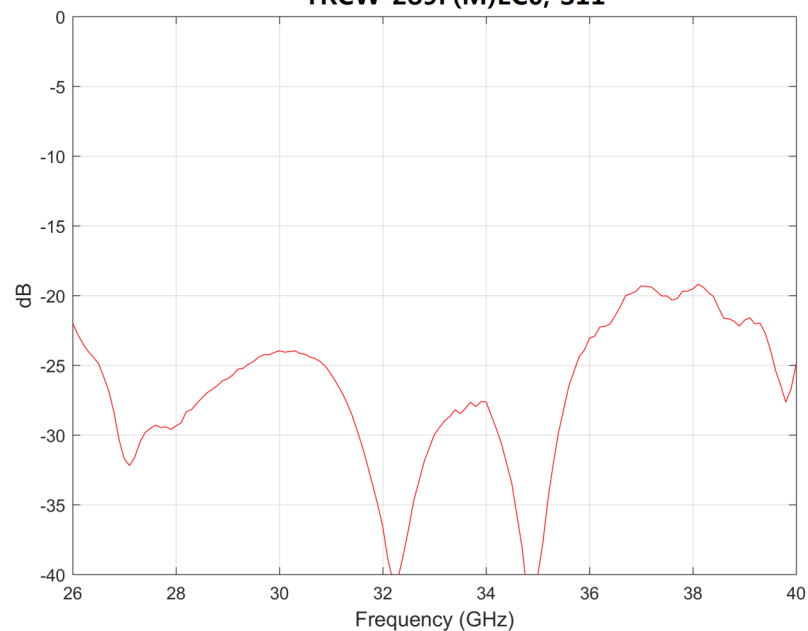
- Waveguide: WR-28, UG-599/U
- Coax: 2.92 mm (F)
- Size: 0.75" x 0.75" x 1.03"
- Material: Aluminum
- Finish: Gold

Outline: TRCW013-OL00



MODEL #: TRCW-289FEC0

TRCW-289F(M)EC0, S11



Note: Raytech Inc. reserves the right to change the information presented without notice.