

TRCW-429FEG0 / -424FEG0 / -428FEG0 Waveguide-Coax Adapter, Ka-band

Features:

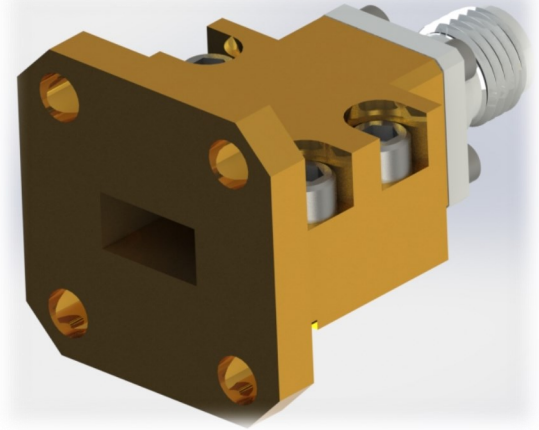
- End-Launch with Center Pin Short
- Return Loss: 18 dB
- Full Waveguide Band
- 2.92mm / 2.4 mm / 1.85 mm Replaceable

Electrical Specifications:

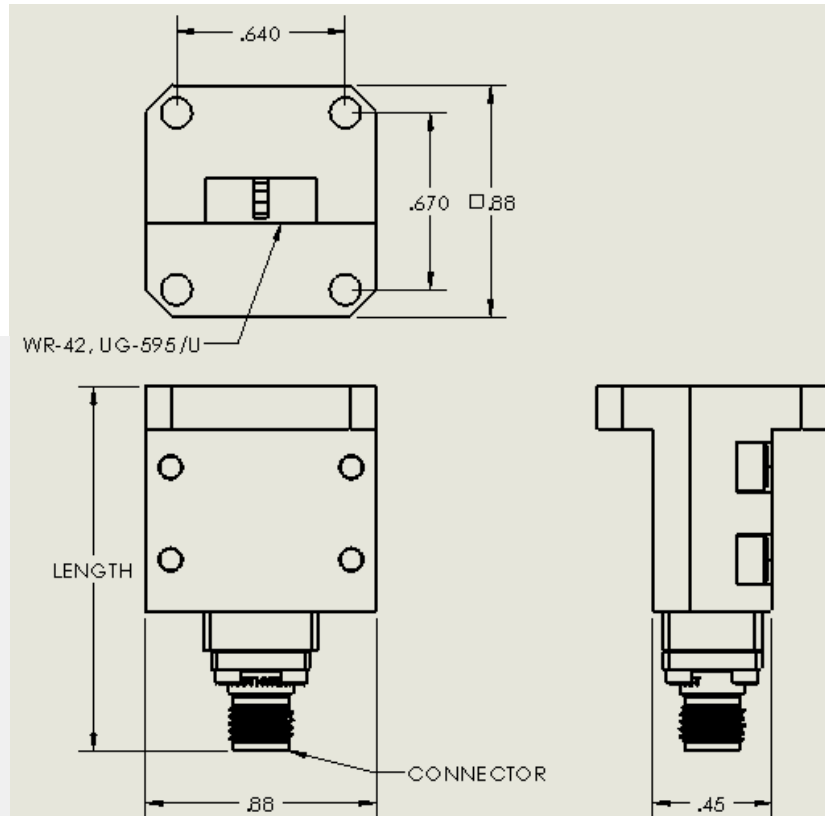
- Frequency: 18.0 — 26.5GHz
- Insertion Loss: 0.3 dB
- Return Loss: 18 dB

Mechanical Specifications:

- Waveguide: WR-42, UG-595/U
- Coax: See Outline Drawing
- Size: 0.75" x 0.75" x See Outline Drawing
- Material: Aluminum
- Finish: Gold

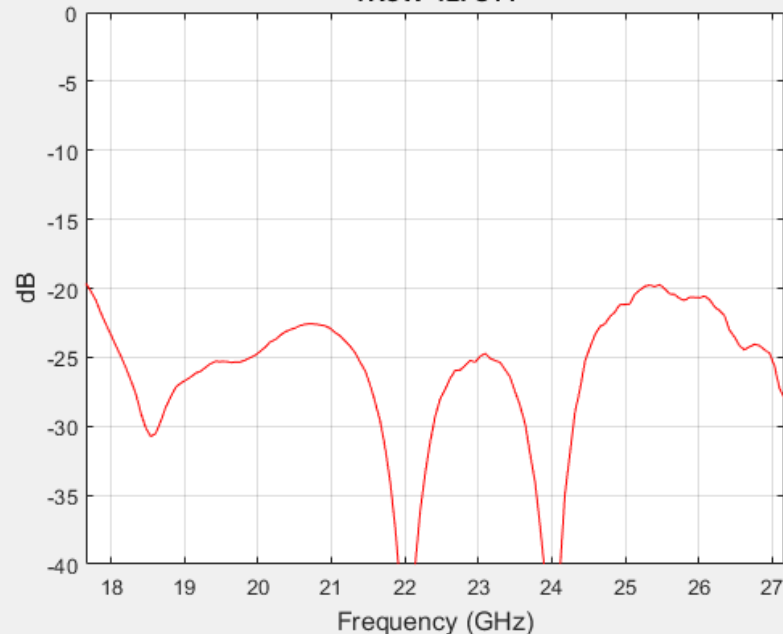


Outline: TRCW029-OL00



Typical Test Data

TRCW-42: S11



MODEL	LENGTH	CONNECTOR
TRCW-429FEG0	1.38"	2.92 mm (F)
TRCW-424FEG0	1.44"	2.4 mm (F)
TRCW-428FEG0	1.45"	1.85 mm (F)

Note: Raytech Inc. reserves the right to change the information presented without notice.