

FIDX-2028W00 Diplexer, 17.2-23.55 & 25.25-31 GHz

Features:

- 50 dB Rejection

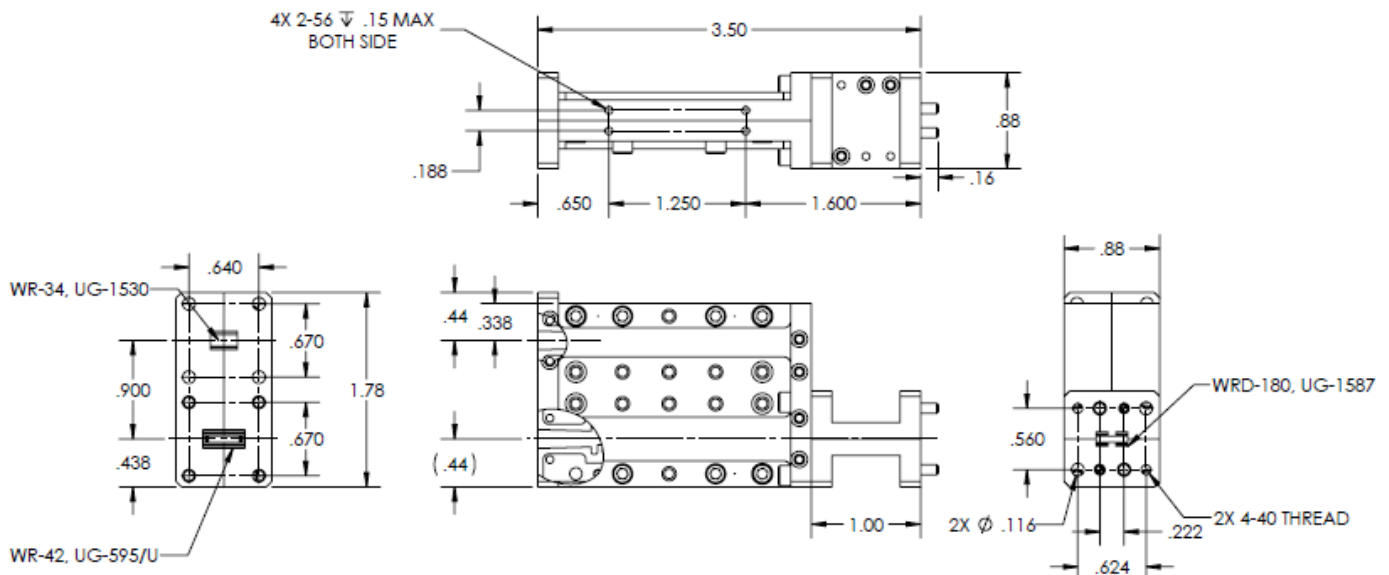
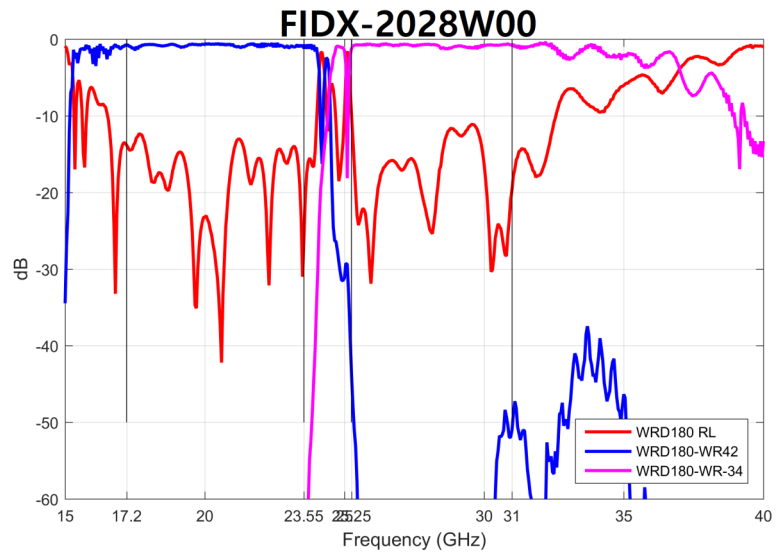
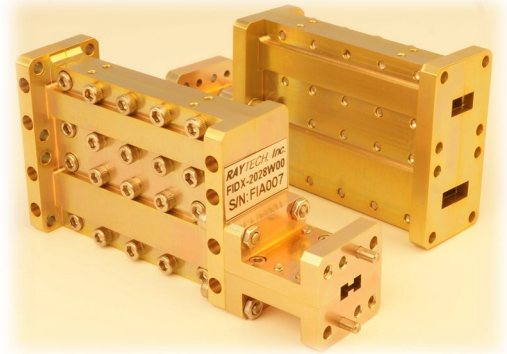
Electrical Specifications:

- Frequency: 17.2-23.55 GHz & 25.25 - 31 GHz
- Return Loss: 12 dB
- Rejection (Port L): 50 dB at 25.25 - 31 GHz
- Rejection (Port H): 50 dB at 17.2-23.55 GHz
- Aport: WRD-180, UG-1587
- Lport: WR-42, UG-595/U
- Hport: WR-34, UG-1530

Mechanical Specifications:

- Size: 1.00" (L) X 0.75" (W) X 0.75" (W)
- Material: Aluminum / Chromate

Outline: FIBL001-OL00-001



Note: Raytech Inc. reserves the right to change the information presented without notice.