

TRCW-121F(M)RC0

WAVEGUIDE-COAX ADAPTER, E-band

Features

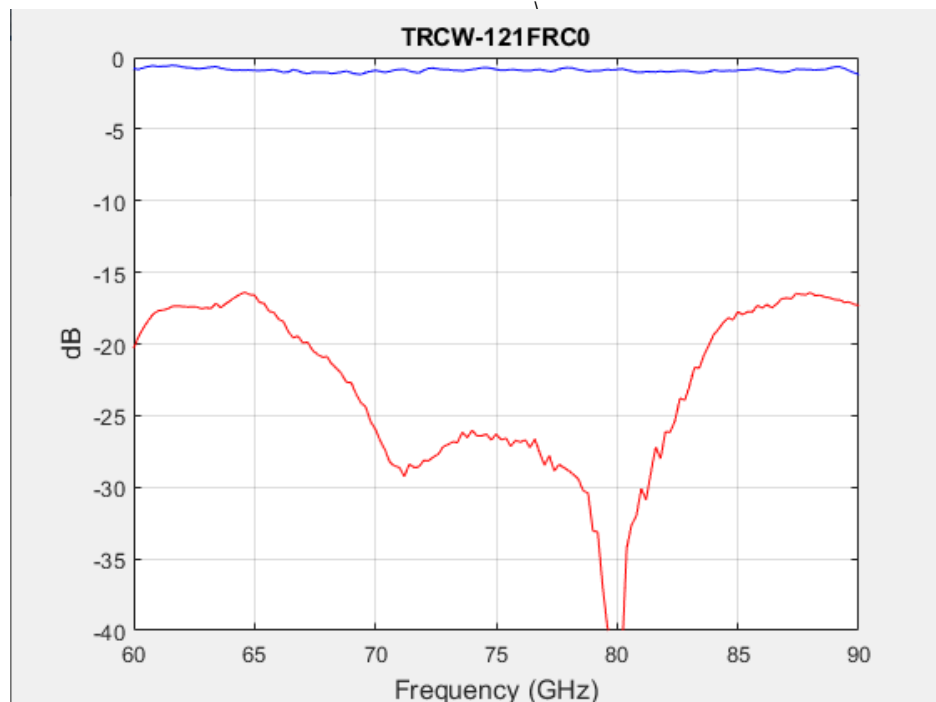
- Low VSWR
- Compact Sizes
- Full Waveguide Bandwidths
- Compact in Right-angle configuration



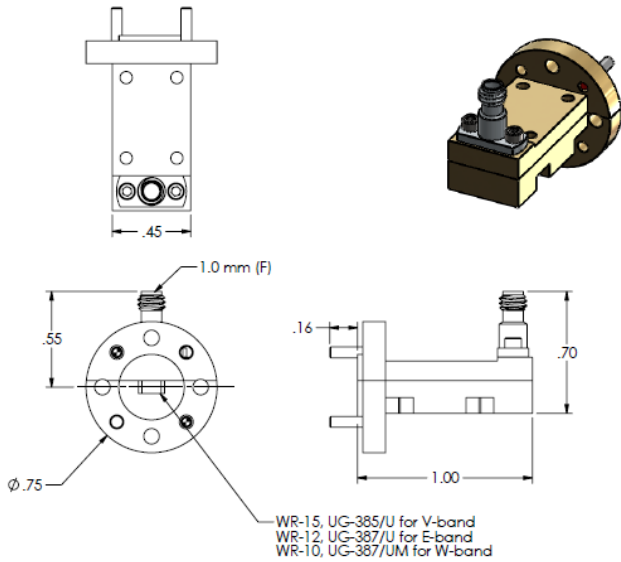
Electrical Specifications

	Minimum	Typical	Maximum	Unit
Frequency	60		90	GHz
VSWR		1.33:1	1.43:1	
Insertion Loss		0.8		dB

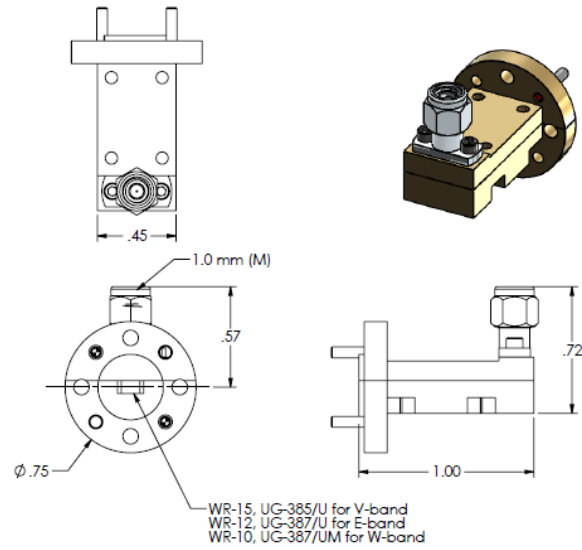
Typical Test Data



Outline Drawing: Coax Adapter, Right-angle, WR-10, -12, & -15



MODEL #: TRCW-151FRC0 for WR-15
TRCW-121FRC0 for WR-12
TRCW-101FRC0 for WR-10
W/ #4-40 THREADED THRU



MODEL #: TRCW-151MRC0 for WR-15
TRCW-121MRC0 for WR-12
TRCW-101MRC0 for WR-10
W/ #4-40 THREADED THRU