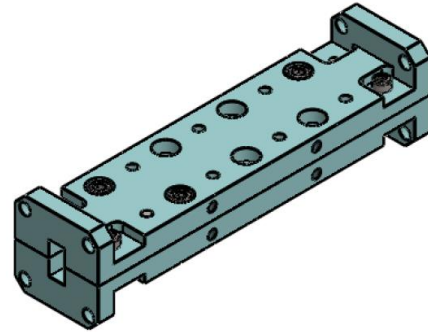


FIBP-3101A01

Bandpass Filter, 30.0 – 31.0 GHz



Features

- Ultra Broad Rejection
- Sharp Rejection Skirt
- Space Application Qualified

Electrical Specification

Frequency	30.0 – 31.0 GHz
Bandwidth	1.0 GHz
Insertion Loss	0.5 dB max
Return Loss	15 dB
Rejection	70 dB minimum at < 28.0 GHz 70 dB minimum at > 33.0 – 40 GHz
Passband Group Delay	0.11 ns max
Ports	WR-34, UG-1530/U
Material	Aluminum / Chromate
Size	3.50" x .88" x .88"

Typical Test Data

