

# Our range of white

Australian industry first.

**Exclusive to Glass Outlet.**

Genuine D&D white hardware.

Ideal for Hamptons fencing, screening & timber plus more.



**D<sup>®</sup> TRUClose<sup>®</sup>**

**TruClose<sup>®</sup> hinge pair**  
2 ALIGNMENT LEGS  
Order Code: TC-H-AT-2L-W



**D<sup>®</sup> TRUClose<sup>®</sup> HEAVY DUTY**

**TruClose<sup>®</sup> hinge pair**  
**Heavy duty**  
2 ALIGNMENT LEGS  
Order Code: TC-H-AT-HD-2L-W



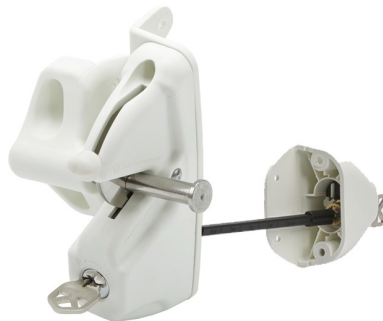
**D<sup>®</sup> KWIKFit<sup>®</sup> ALUMINIUM**

**Kwik Fit<sup>®</sup> Aluminium**  
**hinge pair**  
ADJUSTABLE TENSION  
Order Code: KF-AH-AT-W



**D<sup>®</sup> LOKKLatch<sup>®</sup>**

**Lokk Latch<sup>®</sup>**  
KEYED TO DIFFER  
Order Code: LLAA-W



**D<sup>®</sup> LOKKLatch<sup>®</sup> DELUXE**

**Lokk Latch<sup>®</sup> deluxe**  
KEYED TO DIFFER  
Order Code: LL-DL-W



**D<sup>®</sup> TRUClose<sup>®</sup> HEAVY DUTY**

**D<sup>®</sup> LOKKLatch<sup>®</sup> DELUXE**

**Lokk latch deluxe &**  
**TruClose heavy duty**  
**hinge pair**  
HINGE & LATCH KIT  
Order Code: LLDL-TCHD-W

**21 mm**  
gap spacing

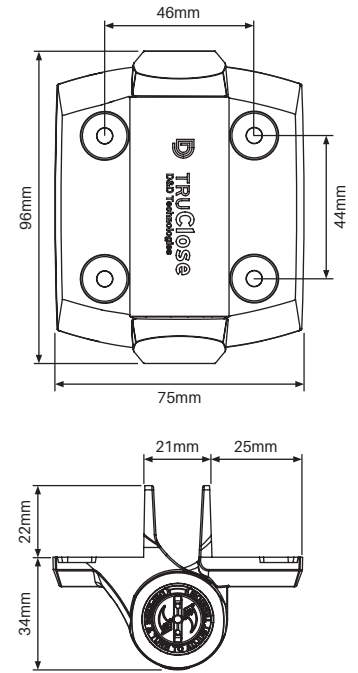
**2**  
alignment legs



## TruClose® hinge pair 2 ALIGNMENT LEGS

Order Code: **TC-H-AT-2L-W** (Pair)

- D&D patented tension adjustment
- Strong, moulded polymer and stainless steel
- Adjust tension from both ends of the hinge
- No visible fixings
- Super strong engineering polymers and stainless steel components
- Won't rust, bind, sag or stain
- Limited lifetime warranty
- White polymer
- Pool fencing compliant - Rated for **gates up to 30kg**



Two alignment legs on hinge allows for quick, easy and accurate positioning of gate onto post

**21 mm**  
gap spacing

**2**  
alignment legs

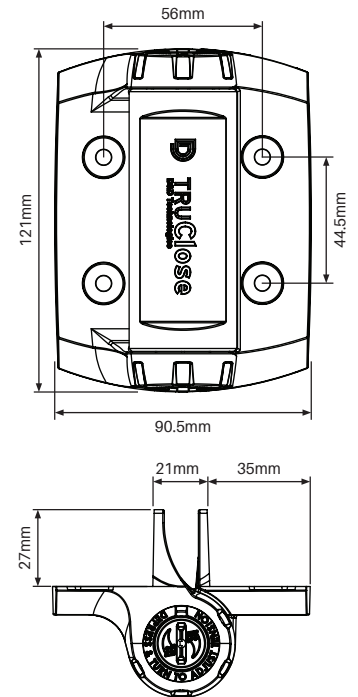


## TruClose® hinge pair Heavy duty

2 ALIGNMENT LEGS

Order Code: **TC-H-AT-HD-2L-W** (Pair)

- D&D patented tension adjustment
- Strong, moulded polymer and stainless steel
- Adjust tension from both ends of the hinge
- No visible fixings
- Super strong engineering polymers and stainless steel components
- Stylish and contemporary design
- Won't rust, bind, sag or stain!
- Limited lifetime warranty
- White polymer
- Pool fencing compliant - Rated for **gates up to 70kg**



Two alignment legs on hinge allows for quick, easy and accurate positioning of gate onto post

**19mm**  
gap spacing

**Adjustable**  
tension



## Kwik Fit® Aluminium hinge pair ADJUSTABLE TENSION

Order Code: **KF-AH-AT-W** (Pair)

- Powder coated white aluminium hinges
- D&D patented tension adjustment - 6 tension settings, adjustable from both ends
- Self closing hinge - closes gates up to 20kg
- Internal stainless steel spring
- Wall or post mounting hinges
- Tested to over 300,000 cycles
- Pool fencing compliant

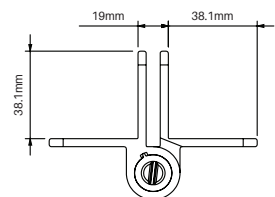
POST TO GATE  
INSTALLATION



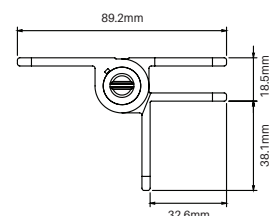
**Fit to posts or walls**

Adjustable fixing plate

POST TO GATE INSTALLATION



WALL TO GATE INSTALLATION



**15-40mm**  
gap spacing

KEYED TO DIFFER

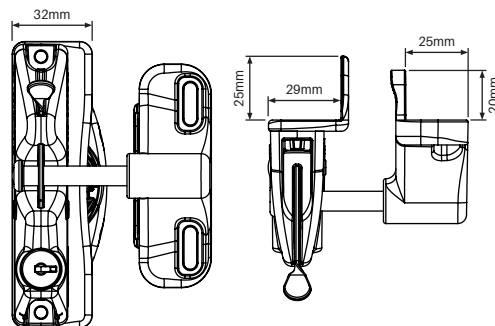


**LOKKLatch®**

**Lokk Latch®**

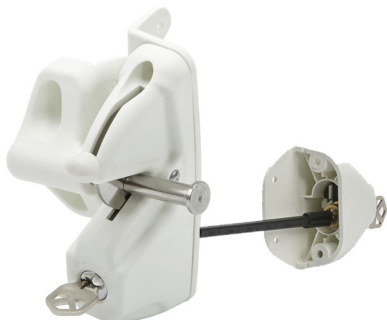
Order Code: LLAA-W

- Ideal latch for home and garden gates
- Key lockable - no need for padlocks or chains
- Quick and easy to install on all gate materials
- Strong polymer design will not rust or stain
- Minimum post size for fitting - 25mm
- White polymer



**15-40mm**  
gap spacing

KEYED TO DIFFER

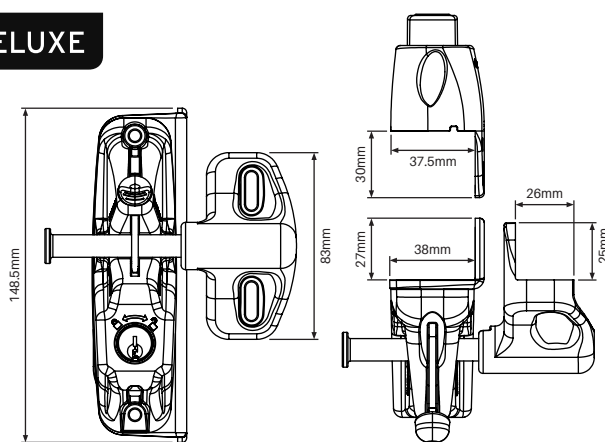


**LOKKLatch® DELUXE**

**Lokk Latch® deluxe**

Order Code: LL-DL-W

- Lockable from both sides of gate
- Locks are keyed to differ
- Rekeyable, 6-pin security lock
- Fits up to 150mm deep posts
- White polymer



## GATE LATCH & HINGE KIT

**21mm**  
hinge gap spacing

**2**  
alignment legs



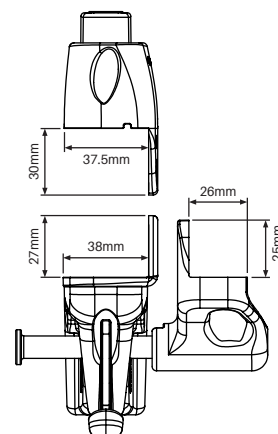
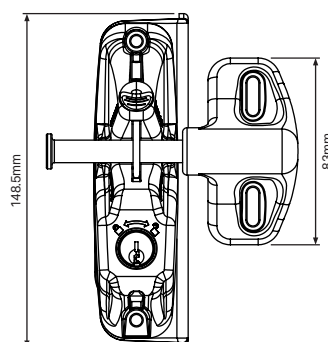
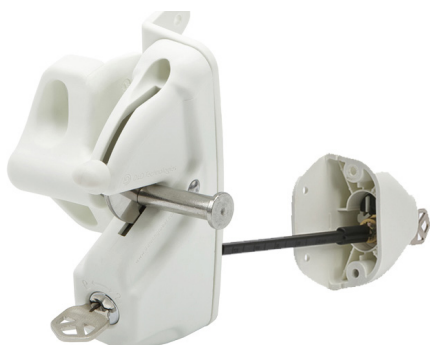
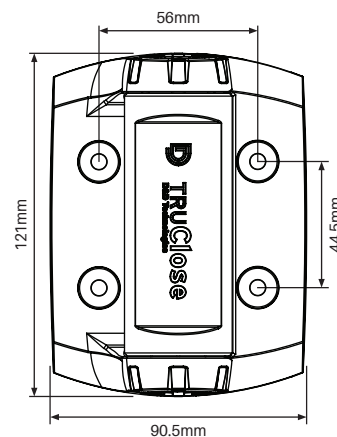
**TRUClose® HEAVY DUTY**

**LOKKLatch® DELUXE**

**Lokk latch deluxe & TruClose hinge pair**  
**Heavy duty**  
**HINGE & LATCH KIT**

Order Code: LLDL-TCHD-W

- Kit includes D&D Lokk Latch Deluxe and 2x TRU close hinges heavy duty
- Pool fencing compliant - Rated to 70kg self close
- Latch is lockable from both sides of gate
- Ideal for aluminium screening & Hamptons gates
- White polymer



**15-40mm**  
latch gap spacing

**+**  
keyed to differ