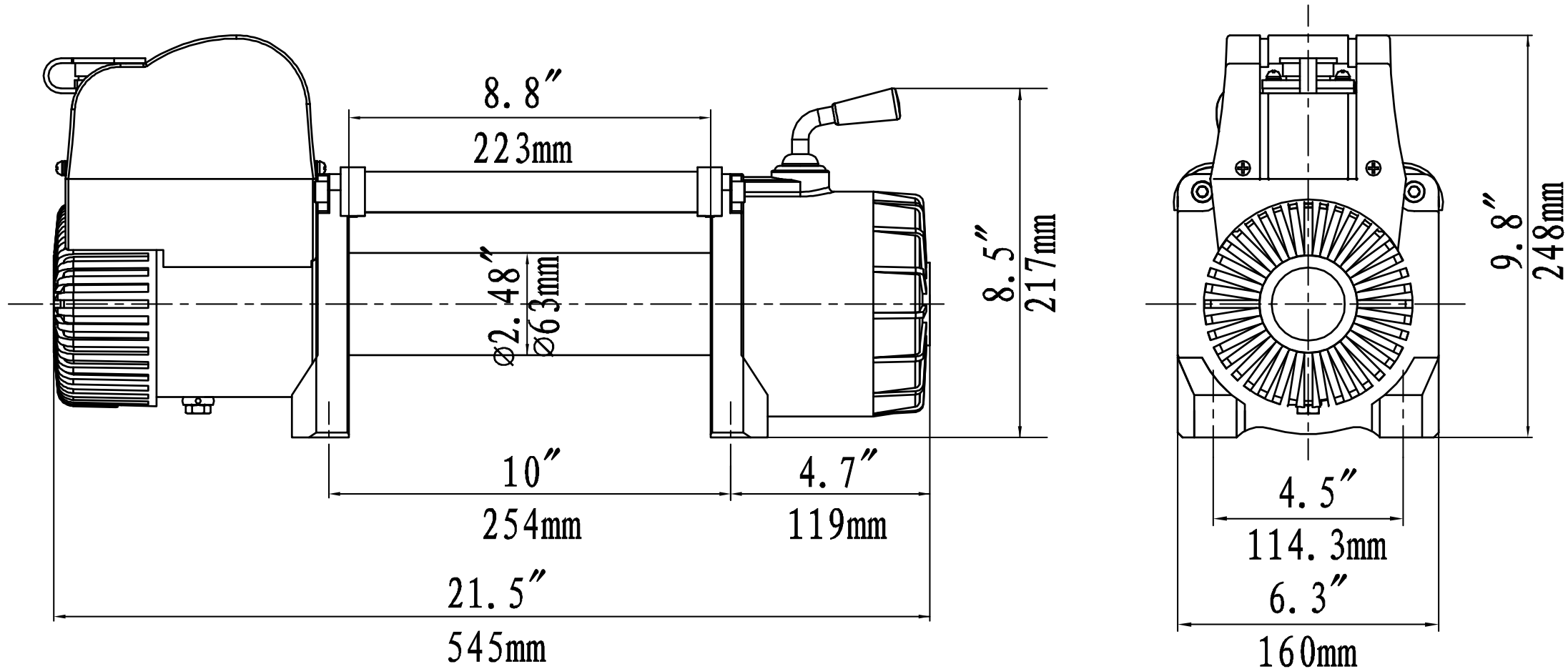




# S8000 SAMURAI TECHNICAL DIAGRAM



**VALUE WITHOUT COMPROMISE**