



OPS240

40 TON KINETIC LOG SPLITTER

ATV TOWABLE • 1 SECOND RAM SPEED • 7HP KOHLER ENGINE

IMPORTANT

Please read the safety rules and assembly instructions carefully before assembling and operating this machine.

USER MANUAL



DK2 USA WEST

4301 S VALLEY VIEW BLVD.
SUITE 10-11 LAS VEGAS, NEVADA
89103 USA

DK2 CORPORATE OFFICE

5330 MAINWAY
BURLINGTON, ONTARIO
L7L6A4 CANADA

DK2 USA EAST

3750 SOUTH AVENUE
NORTH UNIT, TOLEDO, OHIO
43615 USA



TABLE OF CONTENTS

MECHANICAL SPECIFICATION	3
SECTION I: SAFETY RULES	4
SAFETY CONVENTIONS	5
WARNING LABELS	6
PEOPLE AND PETS	7
GASOLINE	8
GENERAL SAFETY	9
SECTION II: ASSEMBLY	10
STEP 1: INSPECT THE PACKAGING	11
STEP 2: CROSS FRAME & TOW BAR FRAME	12
STEP 3: SAFETY LOCK CONTROL HANDLE	13
STEP 4: SPLIT HANDLE	14
STEP 5: FOOT STAND	15
STEP 6: TOW BAR	16
STEP 7: FRONT TABLE BRACKET	17
STEP 8: FASTENING WHEELS TO AXLE	18
STEP 9: FASTENING AXLE TO ASSEMBLY	19
STEP 10: LOG CRADLE SLIDES	20
STEP 11: WORK TABLE	21
SECTION III: OPERATION	22
SAFE PRACTICES & GENERAL INFORMATION	23
BEFORE STARTING	25
STARTING & STOPPING	26
OPERATOR ZONE	27
SECTION IV: MAINTENANCE	28
REGULAR CHECKLIST	29
GENERAL INFORMATION	30
TROUBLESHOOTING	31
SECTION V: PARTS & SCHEMATICS	32
SCHEMATICS	33
PARTS LIST	34
WARRANTY	35

MECHANICAL SPECIFICATION



	Recoil Start
Engine	7HP 4-stroke, 3600 RPM
Power	Gasoline
Control	Two-hand control
Wedge height	8"
Log Capacity	22" Max Length and Diameter
Cycle Time	Approximately 1 second
Tire	6.5-8, 4.0-8, 4.8-8
Sprocket Rate	1:8
Flywheel Max RPM	450

NOTE: The diameter listed is indicative of the maximum suggested size - a small log can be difficult to split when it contains knots or particularly tough fiber. On the other hand, it may not be difficult to split logs with regular fibers even if its diameter exceeds the maximum indicated above.



SECTION I

SAFETY RULES

SAFETY RULES

SAFETY CONVENTIONS



⚠ WARNING: This indicates a hazardous situation, which, if not avoided, could result in death or serious injury.

⚠ CAUTION: This indicates a hazardous situation, which, if not avoided, could result in a minor or moderate injury.

⚠ NOTICE: This information is important for proper use of your machine. Failure to follow this instruction could result in damage to your machine or property.

ADDITIONAL INFORMATION AND POTENTIAL CHANGES

We reserve the right to discontinue, change, and improve our products at any time without notice or obligation to the purchaser. The descriptions and specifications contained in this manual were in effect at printing. Equipment described within this manual may be optional. Some illustrations may not be applicable to your machine.




SAFETY RULES

WARNING LABELS

⚠ WARNING: Read this Safety and Operation guide before use. Become familiar with these recommendations to ensure the best performance of your machine.

LABELS

The log splitter carries prominent labels as reminders for its proper and safe use. Shown below are copies of all the Safety and Information labels that appear on the equipment. Take a moment to study them and make note of their location on your log splitter as you set up and before you operate the unit. Replace damaged or missing safety information labels immediately.



⚠ WARNING / AVERTISSEMENT

EN) Cutting hazard at wood splitter wedge - stay clear. Keep hands and limbs away from moving parts and log ends. Serious injury or death could result if safety precautions are not followed.

FR) Risque de coupure au niveau du coin de la fendeuse à bois, restez à l'écart. Gardez les mains et les membres éloignés des pièces mobiles et des extrémités des bûches. Des blessures graves ou la mort pourraient survenir si les précautions de sécurité ne sont pas respectées.



⚠ WARNING / AVERTISSEMENT

EN) PINCH POINT - KEEP AWAY
To avoid serious injury, keep hands clear of moving cylinder. Speeds may change with loads or valve functions.

FR) POINT DE LIMITE-SE TENIR ÉLOIGNÉ
Évitez les blessures graves, gardez les mains loin du cylindre en mouvement. La vitesse peut changer avec les charges ou les fonctions de la vanne.

⚠ WARNING / AVERTISSEMENT

EN) Read and understand operator's manual thoroughly before operation. Failure to do so may result in serious injury! Keep all shields in place. Keep hands, feet and clothing away from power-driven parts. Always wear safety glasses and safety shoes during operation. Always operate outdoors with good ventilation. Always stop engine and remove spark plug wire before performing maintenance operations.

FR) Lisez et comprenez attentivement le manuel de l'opérateur avant l'utilisation. Le non-respect de cette consigne peut entraîner des blessures graves ! Gardez tous les gardes en place. Gardez les mains, les pieds et les vêtements éloignés des pièces à entraînement électrique. Portez toujours des lunettes de sécurité et des chaussures de sécurité pendant le fonctionnement. Toujours faire fonctionner à l'extérieur avec une bonne ventilation Arrêtez toujours le moteur et retirez le fil de la bougie avant d'effectuer l'opération d'entretien.

EN) Always shut off engine when leaving log splitter unattended, even for a short period of time. Only one person should load and operate the log splitter. Keep all others clear during operation. Never allow one person to operate valve while another is positioning the log. Always position the log with hands on the sides of the log. Keep hands clear of ends. Keep all children away from the log splitter. Do not step over the log splitter. Only use hands to operate the control valve.

FR) Coupez toujours le moteur lorsque vous laissez la fendeuse sans surveillance, même pendant une courte période. Une seule personne doit charger et faire fonctionner la fendeuse. Gardez tous les autres à l'écart pendant le fonctionnement. Ne laissez jamais une personne actionner le levier pendant qu'une autre personne positionne les bûches. Positionnez toujours la bûche avec les mains sur les côtés de la bûche. Gardez les mains éloignées des extrémités. Éloignez tous les enfants de la fendeuse à bois. Ne marchez pas sur la fendeuse à bois. Utilisez uniquement les mains pour actionner le levier de la soupape de commande.

EN) Do not operate the log splitter while under the influence of alcohol, drugs, or medication. Always operate the log splitter on level, dry, non-slippery surfaces. Keep off slopes. Keep work area clear of split wood, debris or other obstacles. Always stay in the operator zone when using the log splitter. Always split wood in the direction of the grain only. Do not add gasoline while the engine is hot or running. Allow all spilled gas to evaporate before using log splitter.

FR) N'utilisez pas la fendeuse à bois sous l'influence de l'alcool, de drogues ou de médicaments. Utilisez toujours la fendeuse sur des surfaces planes et sèches et non glissantes. Ne pas installer dans une pente. Gardez la zone de travail libre de bûches fendues, de débris ou d'autres obstacles. Fendez toujours le bois dans le sens du grain uniquement. N'ajoutez pas d'essence lorsque le moteur est chaud ou en marche. Laissez toute l'essence répandue s'évaporer avant d'utiliser la fendeuse.

CAUTION / ATTENTION

EN) LET GO of the splitting lever AFTER ACTIVATING SPLIT MODE. OTHERWISE, THE LEVER WILL HIT YOUR HAND WHEN THE MACHINE AUTO RETRACTS.

FR) RETIREZ VOS MAINS IMMÉDIATEMENT LORSQUE VOUS TIREZ LE LEVIER DE COMMANDE VERS LE CÔTÉ VERTICALE. S'ON LE LEVIER REPIÈCE, VOTRE MAIN POURRA ÊTRE BLESSÉE LORSQUE LA MACHINE SE RÉTRACTE AUTOMATIQUÉMENT VERS LE CÔTÉ RÉFRIGÉRABLE ET CE AUTOMATIQUÉMENT.

SPLIT
FENDRE

AUTO RETRACT
RETRACTATION AUTOMATIQUE

- LUBRICATION POINT
POINT DE LUBRIFICATION
- LUBRICATION POINT
POINT DE LUBRIFICATION
- LUBRICATION POINT
POINT DE LUBRIFICATION
- LUBRICATION POINT
POINT DE LUBRIFICATION
- LUBRICATION POINT
POINT DE LUBRIFICATION
- LUBRICATION POINT
POINT DE LUBRIFICATION



SAFETY RULES

PEOPLE AND PETS



WARNING: PROTECT YOURSELF AND THOSE AROUND YOU

This is a high-powered machine, with moving parts operating with high energy. You must operate the machine safely. Unsafe operation can create a number of hazards for you, as well as anyone else in the nearby area. Always take the following precautions when using this machine:

- A.** Keep in mind that the operator or user is responsible for accidents or hazards occurring to other people, their property, and themselves.
- B.** Always wear protective goggles or safety glasses with side shields while using the log splitter to protect your eyes from possible thrown debris.
- C.** Avoid wearing loose clothing or jewelry, which can catch on to moving parts of the machine.
- D.** We recommend wearing gloves while using the log splitter. Be sure your gloves fit properly and do not have loose cuffs or drawstrings.
- E.** Wear shoes with non-slip treads when using your log splitter. If you have safety shoes, we recommend wearing them. Do not use the machine while barefoot or wearing open-toed footwear.
- F.** Wear long pants while operating the log splitter.
- G.** Use ear protection or ear plugs rated for at least 20dBA to protect your hearing.
- H.** Keep bystanders at least 50 feet away from your work area at all times. Stop the engine when another person or pet approaches.



WARNING: SAFETY FOR CHILDREN AND PETS

Tragic accidents can occur if the operator is not alert to the presence of children and pets. Children are often attracted to the machine and the splitting activity. Never assume that children will remain where you last saw them. Always follow these precautions:

- A.** Keep children and pets at least 50 feet from the working area and ensure they are under the watchful care of a responsible adult.
- B.** Be alert and turn the machine off if children or pets enter the work area.
- C.** Never allow children to operate the log splitter.



SAFETY RULES

GASOLINE

WARNING: SAFETY WITH GASOLINE

Gasoline is a highly flammable liquid. Gasoline also gives off flammable vapor that can be easily ignited and cause a fire or explosion. Never overlook the hazards of gasoline. Always follow these precautions:

- A.** Never run the engine in an enclosed area or without proper ventilation as the exhaust from the engine contains carbon monoxide, which is an odorless, tasteless, and a deadly poisonous gas.
- B.** Store all fuel and oil in containers specifically designed and approved for this purpose and keep away from heat and open flame, and out of reach of children.
- C.** Replace rubber fuel lines and grommets when worn or damaged and after five years of use.
- D.** Fill the gasoline tank outdoors with the engine off and allow the engine to cool completely. Do not handle gasoline if you or anyone nearby is smoking, or if you are near anything that could cause it to ignite or explode. Reinstall the fuel tank cap and fuel container cap securely.
- E.** If you spill gasoline, do not attempt to start the engine. Move the machine away from the area of the spill and avoid creating any source of ignition until the gas vapors have dissipated. Wipe up any spilled fuel to prevent a fire hazard and properly dispose of the waste.
- F.** Allow the engine to cool completely before storing in any enclosure. Never store a machine that has gas in the tank, or a fuel container, near an open flame or spark such as a water heater, space heater, clothes dryer, or furnace.
- G.** Never make adjustments or repairs with the engine running. Shut down the engine, disconnect the spark plug wire, keeping it away from the spark plug to prevent accidental starting, wait five minutes before making adjustments or repairs.
- H.** Never tamper with the engine's governor setting. The governor controls the maximum safe operation speed and protects the engine. Over-speeding the engine is dangerous and will cause damage to the engine and to other moving parts of the machine. If required, see your authorized dealer for engine governor adjustments.
- I.** Keep combustible substances away from the engine when it is hot.
- J.** Never cover the machine while the muffler is still hot.
- K.** Do not operate the engine with the air cleaner or the carburetor air intake cover removed. Removal of such parts could create a fire hazard. Do not use flammable solutions to clean the air filter.
- L.** The muffler and engine become very hot and can cause a severe burn; do not touch.

SAFETY RULES

GENERAL SAFETY



WARNING: GENERAL SAFETY

Operating this log splitter safely is necessary to prevent or minimize the risk of death or serious injury. Unsafe operation can create a number of hazards for you. Always take the following precautions when operating this log splitter:

- A.** Your log splitter is a powerful tool, not a plaything. Exercise extreme caution at all times. The machine is designed to split logs. Do not use it for any other purpose.
- B.** Know how to stop the log splitter quickly; see **SECTION III: STARTING & STOPPING**.
- C.** Never operate your unit on a slippery, wet, muddy, or icy surface. Exercise caution to avoid slipping or falling.
- D.** See manufacturer's instructions for proper operation and installation of accessories.
- E.** Never use the machine without ensuring that all guards and shields are in place.
- F.** Never, under any conditions, remove, bend, cut, fit, weld, or otherwise alter standard parts on the log splitter. This includes all shields and guards. Modifications to your machine could cause personal injuries and property damage and will void your warranty.
- G.** Allow only one person to operate the log splitter at any time.
- H.** If the machine starts to make an unusual noise or vibrate, shut down the engine, disconnect the spark plug wire, keeping it away from the spark plug to prevent accidental starting, wait five minutes for the engine to cool down, then inspect for damage. Vibration is generally a warning of trouble. Check damaged parts and clean, repair and/or replace as necessary.
- I.** Never tamper with safety devices. Check their proper operation regularly.
- J.** Before performing any maintenance or inspection procedure on the log splitter, shut down the engine, disconnect the spark plug wire keeping it away from the spark plug to prevent accidental starting, wait five minutes for machine to cool down.
- K.** Never allow people who are unfamiliar with these rules of safe operation to use your machine.
- L.** Never overload or attempt to split logs beyond the manufacturer's recommendation. It could result in personal injury or damage to the machine.
- M.** While using the log splitter, do not hurry or take things for granted. When in doubt about the equipment or your surroundings, stop the machine and take time to look things over.
- N.** Never operate the machine when under the influence of alcohol, drugs, or medication.
- O.** Use the machine only in daylight.
- P.** Stay alert for hidden hazards or traffic.
- Q.** Keep all nuts and bolts tight and keep the equipment in good operating condition.

NOTE: List of warnings and cautions cannot be all-inclusive. If situations occur that are not covered by this manual, the operator must apply common sense and operate this log splitter in a safe manner. Contact the dealers for assistance in your area.



SECTION II
ASSEMBLY

ASSEMBLY

CHECK THE PACKAGING



STEP 1: INSPECT THE PACKAGING

Open and unpack all items. Leave lots of working space. Inspect all parts.

The Splitter is shipped in a crate. Remove all sides before you begin.



NOTE: Upon inspection of parts, if you find any damage or missing parts please call DK2 POWER at **1 (888) 277-6960** or contact us via our website at www.detailk2.com. We will replace any damaged or missing parts to you for free. **Please do not return to the store.**



ASSEMBLY

STEP-BY-STEP INSTRUCTIONS

STEP 2: CROSS FRAME & TOW BAR FRAME

1. Install cross frame and tow bar frame.
2. Use 4 bolts included to assemble.



4 BOLTS & NUTS

ASSEMBLY

STEP-BY-STEP INSTRUCTIONS



STEP 3: SAFETY LOCK CONTROL HANDLE

OPEN THE HOOD AND
INSTALL THE SAFETY
LOCK CONTROL
HANDLE.

SCREW IT UNTIL TIGHT
INTO THE LOCKING
CASTING.



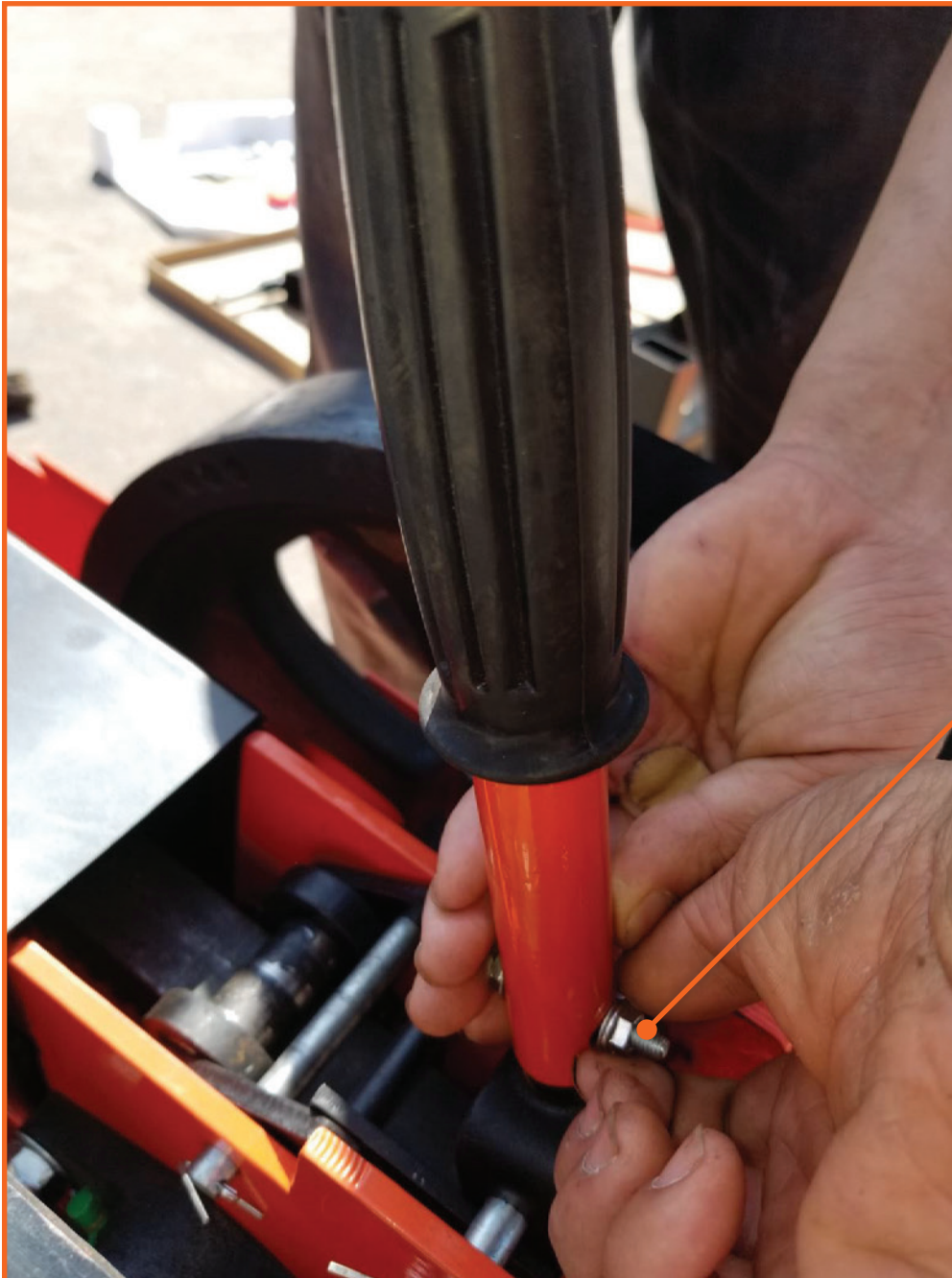


ASSEMBLY

STEP-BY-STEP INSTRUCTIONS

STEP 4: SPLIT HANDLE

1. Install the split handle with the hardware provided.
2. Close and latch the hood shut.



PLACE NUT
ON THIS SIDE

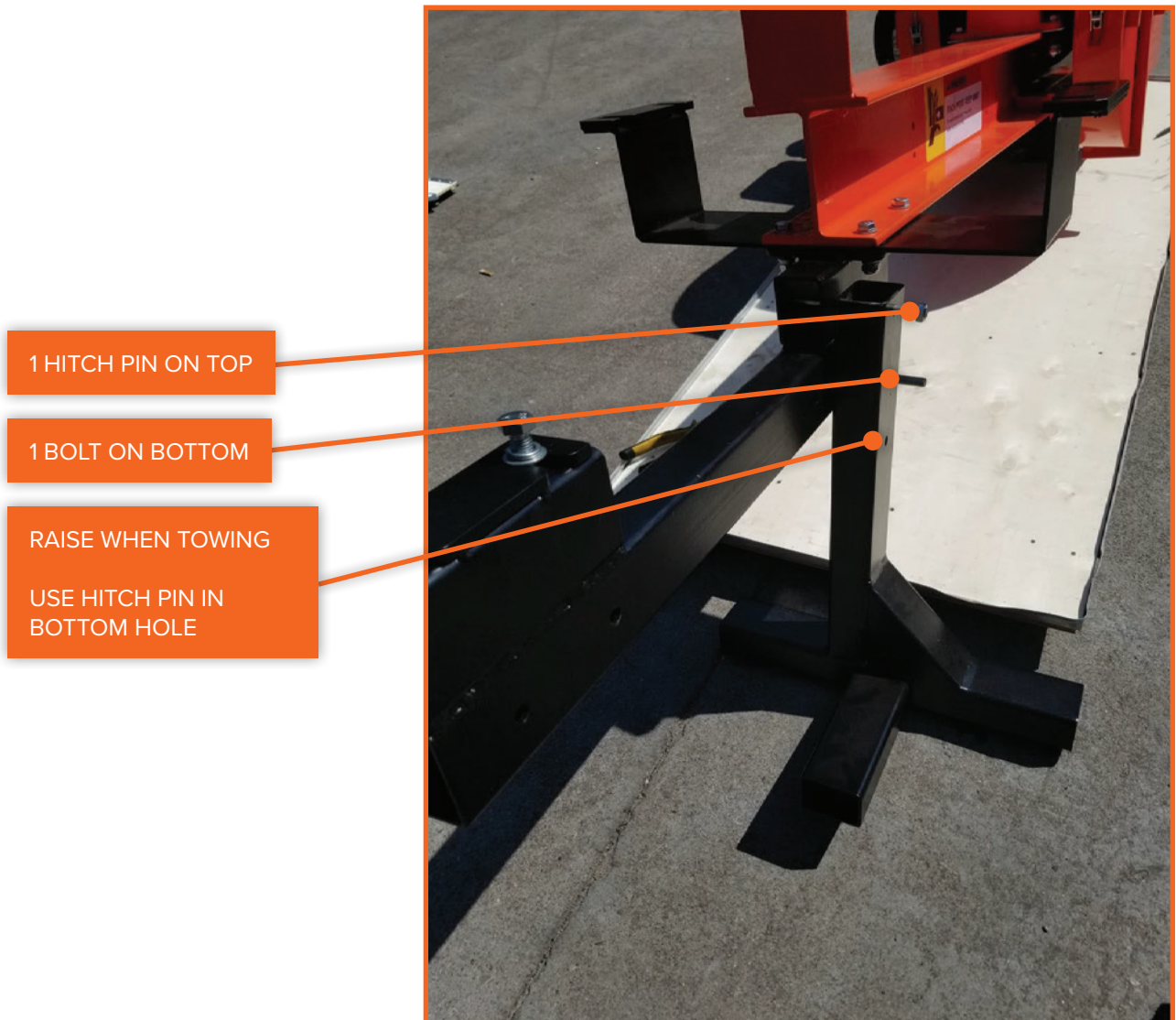
ASSEMBLY

STEP-BY-STEP INSTRUCTIONS



STEP 5: FOOT STAND

1. Install the foot stand.
2. Bolt the bottom hole.
3. Hitch pin the top hole.

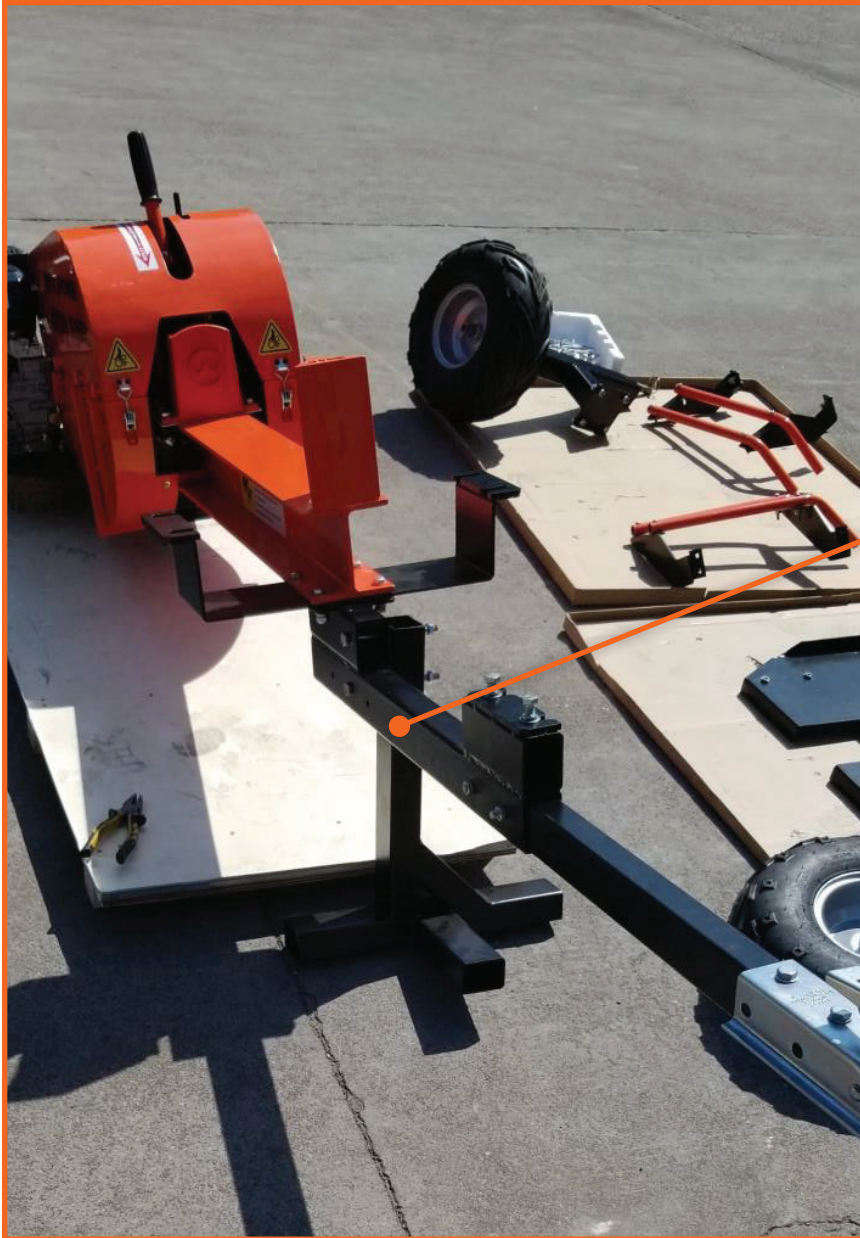




ASSEMBLY

STEP-BY-STEP INSTRUCTIONS

STEP 6: TOW BAR



USING THE 2 BOLTS PROVIDED, SECURE THE TOW BAR TIGHTLY TO THE ASSEMBLY



ASSEMBLY

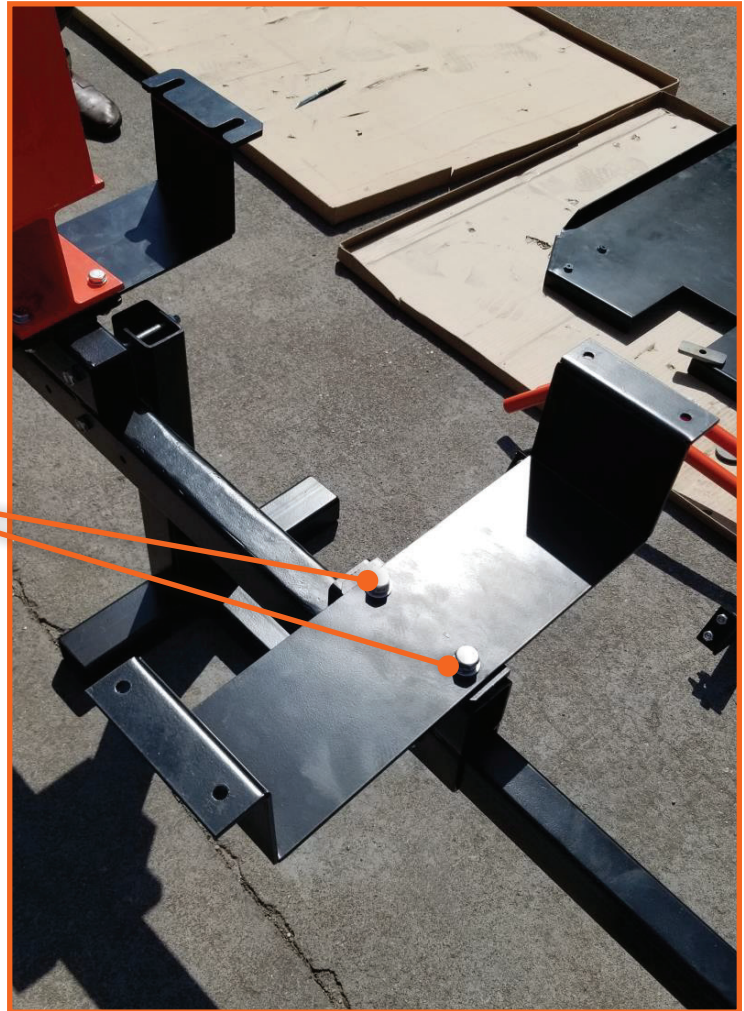
STEP-BY-STEP INSTRUCTIONS



STEP 7: FRONT TABLE BRACKET

1. Install the front table bracket as shown using the hardware provided.
2. Keep loose until after the table installation to help with the hole alignment.

USE THE HARDWARE
PROVIDED TO FASTEN





ASSEMBLY

STEP-BY-STEP INSTRUCTIONS

STEP 8: FASTENING WHEELS TO AXLE

1. Install the wheels on the axle and insert spring pin.
2. Make sure wheel is freely spinning. You can remove the pin, slide the wheel and re-pin to lock the wheel during splitting.



ASSEMBLY

STEP-BY-STEP INSTRUCTIONS



STEP 9: FASTENING AXLE TO ASSEMBLY

Get some help lifting the unit by the hitch or safely use a hydraulic jack or lift chain, and stand the unit upright, resting on the back bottom plate.



BE CAREFUL, THIS UNIT IS HEAVY AND SHOULD BE HANDLED BY MULTIPLE PERSONS OR A SAFE LIFTING DEVICE.

Insert the 4 bolts provided and tighten.





ASSEMBLY

STEP-BY-STEP INSTRUCTIONS

STEP 10: LOG CRADLE SLIDES

1. Assemble log cradle slides to the side of beam as shown below.
2. Use the hardware supplied and bolt both rail cradle assemblies together.
3. Tighten all bolts securely.



BOLT THROUGH
THE BEAM

ASSEMBLY

STEP-BY-STEP INSTRUCTIONS



STEP 11: WORK TABLE

1. Use the 8 flat bolts and hardware provided.
2. Tighten the 2 bolts on the underside table supports that were left loose in previous assembly steps.
3. Re-check all assembly bolts and equipment bolts, and tighten if required.



NOTE: Grease the rack teeth and the spline with standard grease. Keep the log beam free of grease and keep clean when splitting. The ram slides on a teflon plate, so keep it clean from grease and wood particles.



SECTION III
OPERATION

OPERATION

SAFE PRACTICES & GENERAL INFORMATION



⚠ BEFORE STARTING ENGINE

- Clear area of all people and property that could be damaged. Think Safety.
- This log splitter is fast and can cause injury if safety is not enforced.
- Only one operator should work this unit. Never have another person loading logs while another is at the controls.
- Do not remove the second hand safety lever.

⚠ IF YOUR UNIT WILL NOT START

1. Check the oil level. Your engine has a low oil shutoff protection and will not start if low on oil.
2. Make sure spark plug wire is seated.
3. Move the gas lever on to the right. Left position is off.
4. Use the choke for cold starting.
5. Check your gas level.

⚠ SAFE PRACTICE

- Do not wear loose fitting clothes that could get stuck in the ram.
- Only split wood, no metal or plastic.
- Children should not run this equipment.
- Stay alert of your surroundings and persons that could appear in the area while you are working.
- Load log on beam, slide to splitting wedge.
- Wear safety glasses, gloves, and protective shoes.
- Operate outdoors only - gas fumes are deadly indoors.



OPERATION

SAFE PRACTICES & GENERAL INFORMATION

GENERAL INFORMATION

Run the engine at full RPM. This machine pushes the ram forward for a 1/2 second and retracts for another 1/2 second. To ensure proper use of the splitter, allow the machine to retract before loading another log.

THE SPLITTING PROCESS IS AS FOLLOWS:

1. Pull the safety lever with your left hand.
2. Push the splitting lever quickly with your right hand, and let go of the lever.

NOTE: Do not hold the splitting lever down. The ram and splitting lever will automatically retract after the machine has split the log. This allows the machine to regain kinetic energy for optimal performance.

Consult your Kohler manual provided for engine maintenance and operation instruction.

OPERATION BEFORE STARTING



WARNING: BEFORE STARTING

- A. Read and understand all instructions, safety precautions, and/or warnings listed in **SECTION I: SAFETY RULES** before operating the log splitter. If any doubt or question arises about the correct or safe method of performing anything found in this manual, please contact the dealers in your area for further instruction.
- B. When operating the log splitter, make sure you are standing in the safe operating area (operator zone). You must stay in the safe operating area at all times when the ram is in motion (whether extending or retracting). Never place any part of your body into a position that causes an unsafe operating condition.
- C. Before loading and operating the log splitter, always wear protective gear, including safety goggles, hearing protection, tight-fitting gloves without draw strings or loose cuffs, and steel-toed footwear.
- D. Familiarize yourself with the correct and incorrect methods of splitting logs. Never split a log using an incorrect or unsafe method.



OPERATION

STARTING & STOPPING

STARTING

1. Position your log splitter on flat, dry ground, and then stop the front wheel with the brake, make sure the machine cannot be moved from this position.
2. Make sure the fuel shut-off valve is in the **ON** position.
3. Move the choke control lever to the **CHOKE** position (should only be needed if the engine is cold).
4. Move the throttle control lever to the **FAST** position.
5. **RECOIL START:** Turn the ignition switch to the **ON** position. Grasp the recoil starter handle and slowly pull until you feel resistance. Let the cord retract a little bit, then pull the cord rapidly to start the engine. One or two pulls instantly starts the engine.
6. **ELECTRIC START:** Turn and hold the key in the start position until the engine starts, then let the key return to run position.
7. Move the choke control lever (if used for cold engine) slowly back to **RUN** position when the engine is running well.
8. If the log splitter has not been running (cold engine), warm up the engine by running it at half throttle for three to four minutes, then advance the engine throttle control to max speed.

STOPPING

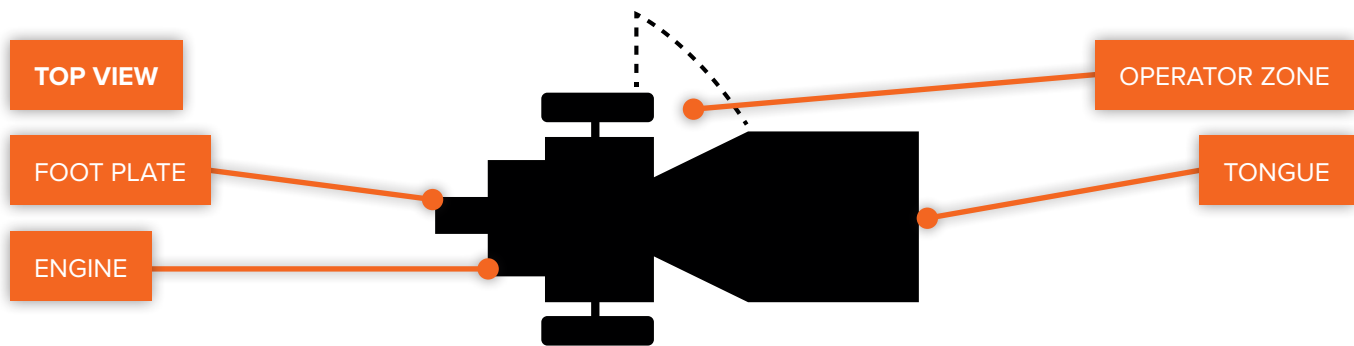
1. Move the throttle lever to **IDLE**.
2. **RECOIL START:** Turn the ignition switch to the **OFF** position.
3. **ELECTRIC START:** Turn the key to the **OFF** position.

OPERATION

OPERATOR ZONE



OPERATOR ZONE



⚠ NOTICE: ALL LOGS SHOULD BE NO LONGER THAN 24 INCHES

⚠ WARNING: IMPORTANT OPERATOR ZONE PRACTICES

- A. Do not place your hands on the ends of the log when loading the log splitter. **This is very unsafe** and could result in serious injury to your hands.
- B. Do not reach or step across the rail while the log splitter is running. **This is very unsafe** and could cause personal injury, even death.
- C. Do not reach forward and attempt to catch the split wood as the log is being split - let it fall to the ground.

⚠ CAUTION: AVOID CROSS-GRAIN SPLITTING

Never attempt to split wood across the grain. The log splitter is not designed for cross-grain splitting. Doing so could damage the log splitter and may cause personal injury. Make sure both ends of the log you are splitting are placed properly and as square as possible. This will prevent the log from sliding out of position when under pressure.

- 1. Place the log in the log splitter. Grasp the log on the sides near the middle of the block. Center the log, side-to-side, on the rail of the log splitter, making sure that one end is against the splitting wedge.
- 2. With your left hand, pull the safety lever, with your right hand, push the splitting lever, then let go. This machine auto-retracts after release of the splitting lever.



SECTION IV
MAINTENANCE

MAINTENANCE

REGULAR CHECKLIST



REGULAR MAINTENANCE

Regular maintenance is a way to ensure the best performance and long life of your machine. Please refer to this manual and the engine manufacturer's user manual for maintenance procedures.

⚠ WARNING: BEFORE PERFORMING MAINTENANCE

Before performing any maintenance procedure or inspection, stop the engine, wait five minutes to allow all parts to cool. Disconnect the spark plug wire, keeping it away from the spark plug. Disconnect the battery terminals (electric start only).

CHECKLIST

PROCEDURE	BEFORE EACH USE	EVERY 3 HRS	EVERY 25 HRS	EVERY 100 HRS
Check engine oil level	•			
Check general equipment condition	•			
Check wedge for sharpness	•			
Grease surface of slide rail	•			
Check belts	•			
Grease rack and pinion		•		
Check tire pressure			•	
Clean engine exterior and cooling			•	
Change engine oil			•	
Replace air filter			•	
Replace spark plug				•



MAINTENANCE

GENERAL INFORMATION

ENGINE SERVICE

Refer to your Kohler engine manual provided for further engine maintenance instruction.

NOTICE: LUBRICATION

All of the bearings on your splitter are sealed units and should have a sufficient amount of lubricant to last the life of your machine with normal use.

NOTICE: GREASING THE RACK AND PINION

All the rack and pinion should be greased before every use with standard gear grease.

MAINTENANCE TROUBLESHOOTING



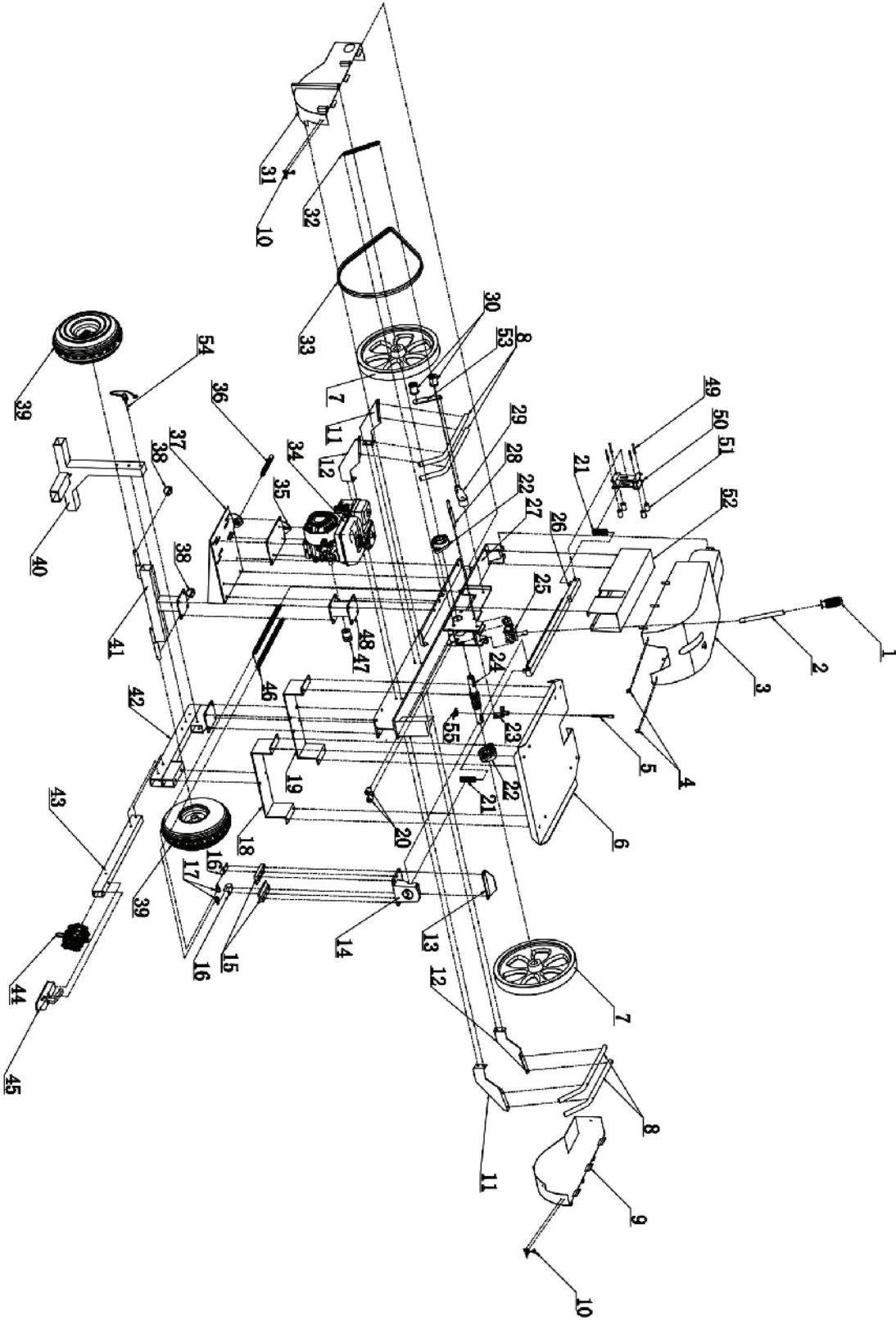
SYMPTOM	POSSIBLE CAUSE
<p>The engine won't start.</p> <p>(Please refer to the engine user manual for engine-specific procedures.)</p>	<ul style="list-style-type: none"> • Is the ignition switch in the ON position? • Is the fuel shut-off valve on? • Are you using fresh, clean gas? If the gas is old, change it. Use a fuel stabilizer if you keep gas longer than 30 days. • Is the spark plug clean? If the spark plug is dirty or cracked, change it. If it is oily, leave it out, hold a rag over the plug hole and pull the recoil cord several times to blow out any oil in the cylinder, then wipe off the plug and re-insert it.
<p>The engine lacks power or is not running smoothly.</p> <p>(Please refer to the engine user manual for engine-specific procedures.)</p>	<ul style="list-style-type: none"> • Check that the throttle lever is in the RUN position. • Is the air filter clean? If it is dirty, change it following the procedure in the engine manufacturer's manual. • Is the spark plug clean? If it is fouled or cracked, change it. If it is oily, leave it out, hold a rag over the plug hole and pull your recoil cord several times to blow out any oil in the cylinder, then wipe off the plug and re-insert it. • Are you using fresh, clean unleaded gas? If it is old, change it. Use a fuel stabilizer if you keep gas longer than 30 days. • Does your engine have the right amount of oil? If it is dirty, change it following the procedure in the engine manufacturer's owner's manual. • Check the oil level and adjust as needed.
<p>Engine smokes.</p> <p>(Please refer to the engine user manual for engine-specific procedures.)</p>	<ul style="list-style-type: none"> • Check the oil level and adjust as needed. • Check the air filter and clean or replace if needed. • You may be using the wrong oil - too light for the temperature. Refer to your engine owner's manual for detailed information. • Clean the cooling fins if they are dirty.
<p>Rack catching on tail tube (at end of stroke).</p> <p>Rack returning very slow or not going all the way back.</p>	<ul style="list-style-type: none"> • Adjust carriage hold-downs (slide guides). • Check for wood chips or debris between ram bushing plate and beam. • Check rack lift bearing for alignment or damage. • Return spring is unhooked or damaged. Reconnect or replace as needed. • Machine wedge end too low. Must be almost level or wedge end slightly higher.
<p>Operator lever snapping out of gear or not staying in gear.</p>	<ul style="list-style-type: none"> • Lever not all the way forward when rack comes under full load. Push lever quicker and more forcefully into the full forward position. • Ram has been overloaded at lower part of face. Check rack gear for straightness.
<p>Rack slamming back too fast.</p>	<ul style="list-style-type: none"> • Wedge end of machine too high. Must be almost level with ram end or just slightly higher. • Springs not operating properly. Fix or replace as needed.
<p>Machine does not seem to have full splitting power.</p>	<ul style="list-style-type: none"> • The belts may be too loose and slipping. Adjust or replace belts as needed.
<p>Operator Lever not engaging rack with pinion gear.</p>	<ul style="list-style-type: none"> • Clean wood chips or other debris from under rack. • Clean accumulated dirt from frame where the carriage assembly rests against rubber bumpers.



SECTION V
PARTS & SCHEMATICS

PARTS & SCHEMATICS

SCHEMATICS

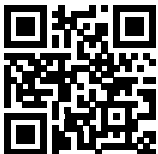




PARTS & SCHEMATICS

PARTS LIST

No.	Specification	No.	Specification
1	Handle rubber sleeve	29	Roller rack
2	Handle	30	Pressure roller
3	Upper hood	31	Engine under hood
4	Clasp	32	Roller holder spring
5	Small switch screw	33	Belt
6	Work table	34	Engine
7	Pulley	35	Gasoline engine floor
8	Frame tube protector	36	Screw rod
9	Pulley under hood	37	Gasoline engine support
10	Pressing buckle	38	Pin (wheel shaft)
11	Left arm guard	39	Tire
12	Right arm guard	40	Forefoot
13	Shock block	41	Tire rack
14	Ejector pad	42	Forefoot brace
15	Split head fitting	43	Tow bar
16	Ring fixed block	44	Iron chain
17	Rings	45	Tower hitch
18	Table front support plate	46	Sport spring gear rod
19	Table back support plate	47	Small pulley
20	Rubber cushion	48	Tire rack support tube
21	Compression spring (ejector pad)	49	Outer hexagon bolt
22	Bearing pedestal	50	gear rod fixation
23	Small switch	51	Small nylon wheel
24	Transmission shaft	52	Gear rod cover
25	Trigger	53	Under pressing roller fixing piece
26	Gear rod	54	Front foot pin
27	Beam	55	Torsional spring
28	Trigger pin		



Scan here to access the DK2 POWER Parts Store **or** open your browser and go to www.detailk2.com/shop-power-equipment-parts

Your Log Splitter model is: **OPS240**

WARRANTY

3 YEAR ENGINE & 1 YEAR CHASSIS



PLEASE DO NOT RETURN TO THE STORE

**YOU HAVE A 1 YEAR WARRANTY AND DK2 WILL REPLACE A DEFECTIVE PART FOR FREE.
CALL US AT 1 (888) 277-6960 FOR FAST WARRANTY PARTS AND QUESTIONS.**

WHAT IS COVERED – 3 YEAR ENGINE AND 1 YEAR COMMERCIAL WARRANTY INCLUDED

Detail K2 Inc. warrants to the original purchaser that product will be free and clear of manufacturing defects in workmanship and materials under normal use and service for a period of one (1) year from the date of the original purchase. If within one (1) year from the original date of purchase this product fails due to defect in material or workmanship, Detail K2 will repair, replace, or supply any covered defective part at our option. DK2 POWER is 1-year parts only warranty no labor. Kohler 3 year warranty is PARTS and LABOR.

Upon expiry of one (1) year, Detail K2 will have no further liability related to the product. Detail K2 does not authorize any party, including its authorized distributors or dealers, to offer any other warranty on behalf of Detail K2 Inc.

SERIAL NUMBERS MUST BE REGISTERED ONLINE AT WWW.DK2POWER.COM, WARRANTY NON-TRANSFERABLE.

KOHLER ENGINES – KOHLER CH SERIES ENGINES COMMERCIAL 3 YR PARTS AND LABOR WARRANTY

KOHLER ENGINES – KOHLER SH SERIES ENGINES RESIDENTIAL 2 YR PARTS AND LABOR WARRANTY

see your Kohler manual for specific warranty.

DK2–1-Year parts only, no labor. 3-year commercial Kohler warranty.

THIS WARRANTY DOES NOT COVER OR APPLY TO:

- (a) Damage to the product due to misuse, mishandling and abuse
- (b) Improper installation, maintenance and storage
- (c) Expendable parts such as nuts and bolts, pins and springs, wiring and switch components, hydraulic hoses and fittings, cutting teeth, cutting chains, cutting blades, throttles, belts and tires.
- (d) Normal wear and tear
- (e) Consequential damage & incidental damages such as damage to persons or property

PROCEDURE FOR OUTDOOR POWER EQUIPMENT WARRANTY

Within the one (1) year warranty period, the purchaser of the product can CALL 1 (888) 277-6960 or contact us on www.DK2Power.com. Notify us of the claimed defect and provide proof of original purchase. At this time the validity of the claim will be determined, and if approved replacement parts will be issued. No returned product will be accepted under warranty unless accompanied by an RGA# issued by Detail K2 Inc.

DAMAGED FREIGHT

Damage to your product caused by freight mishandling is NOT covered under warranty. If your freight arrives damaged, REFUSE it. **Inspect your product when it arrives**, otherwise if you accept it, you will be responsible for filing any freight claims with the delivery company. DK2 warranty excludes damage to product.

RETURNS BEFORE GAS AND OIL

Follow the return policy from the retailer you purchased the equipment from.

RESOLUTION FOR A DEFECTIVE PRODUCT AFTER GAS AND OIL HAS BEEN ADDED.

Call us at 1 (888) 277-6960 between 8am-4pm Monday to Friday EST.





OPS240

FENDEUSE À BOIS ÉNERGIE CINÉTIQUE DE 40 TONNES

REMORQUABLE PAR VTT • 1 SECONDE VITESSE DE BÉLIER • MOTEUR KOHLER 7CV

IMPORTANT

Veillez lire attentivement les règles de sécurité et les instructions de montage avant l'assemblage et faire fonctionner cette machine.

GUIDE DE L'UTILISATEUR



DK2 USA OUEST

4301 S VALLEY VIEW BLVD.
SUITE 10-11 LAS VEGAS, NEVADA
89103 ÉTATS-UNIS

SIÈGE SOCIAL CORPORATIF DK2

5330 MAINWAY
BURLINGTON, ONTARIO
L7L6A4 CANADA

DK2 USA EST

3750 AVENUE SUD
UNITÉ NORD, TOLEDO, OHIO
43615 ÉTATS-UNIS



TABLE DES MATIÈRES

SPÉCIFICATIONS MÉCANIQUES	3
SECTION I : RÈGLES DE SÉCURITÉ	4
CONVENTIONS SUR LA SÉCURITÉ	5
ÉTIQUETTES DE MISE EN GARDE	6
PERSONNES ET ANIMAUX	7
ESSENCE	8
SÉCURITÉ GÉNÉRALE	9
SECTION II : MONTAGE	11
ÉTAPE 1 : INSPECTER L'EMBALLAGE	12
ÉTAPE 2 : CADRE TRANSVERSAL ET CADRE DE BARRE DE REMORQUAGE	13
ÉTAPE 3 : LEVIER DE CONTRÔLE DE VERROUILLAGE DE SÉCURITÉ	14
ÉTAPE 4 : LEVIER DE FENTE	15
ÉTAPE 5 : SUPPORT	16
ÉTAPE 6 : BARRE DE REMORQUAGE	17
ÉTAPE 7 : SUPPORT DE TABLE AVANT	18
ÉTAPE 8 : FIXATION DES ROUES À L'ESSIEU	19
ÉTAPE 9 : FIXATION DE L'AXE À L'ASSEMBLAGE	20
ÉTAPE 10 : GLISSIÈRES DU BERCEAU DE BÛCHES	21
ÉTAPE 11 : TABLE DE TRAVAIL	22
SECTION III : FONCTIONNEMENT	23
PRATIQUES DE SÉCURITÉ ET INFORMATIONS GÉNÉRALES	24
AVANT DE COMMENCER	26
DÉMARRAGE ET ARRÊT	27
ZONE OPÉRATION	28
SECTION IV : ENTRETIEN	29
LISTE DE CONTRLE RÉGULIÈRE	30
INFORMATIONS GÉNÉRALES	31
DÉPANNAGE	32
SECTION V : PIÈCES ET SCHÉMAS	33
VUE EXPLOSÉE	34
LISTE DES PIÈCES	35
GARANTIE	36

SPÉCIFICATIONS MÉCANIQUES



	Démarreur manuel
Moteur	7CV 4 temps, 3600 RPM
Puissance	Essence
Commande	Commande à deux mains
Hauteur de la bûche	8 pouces (20cm)
Capacité de bûche	22 po. longueur et diamètre maximum
Temps de cycle	Environ 1 seconde
Pneu	6.5-8, 4.0-8, 4.8-8
Taux de pignon	1:8
Volant-moteur Max Tr/min	450

REMARQUE : le diamètre indiqué est indicatif de la taille maximale suggérée - une petite bûche peut être difficile à fendre lorsqu'il contient des nœuds ou des fibres particulièrement résistantes. D'autre part, il peut ne pas être difficile à fendre des bûches à fibres régulières même si son diamètre dépasse le maximum indiqué ci-dessus.



SECTION I
RÈGLES DE SÉCURITÉ

LES RÈGLES DE SÉCURITÉ

CONVENTIONS DE SÉCURITÉ



⚠ AVERTISSEMENT : Ceci indique une situation dangereuse qui, si elle n'est pas évitée, pourrait entraîner la mort ou des blessures graves.

⚠ ATTENTION : Ceci indique une situation dangereuse qui, si elle n'est pas évitée, pourrait entraîner un blessure mineure ou modérée.

⚠ AVIS : Ces informations sont importantes pour une utilisation correcte de votre machine. Ne pas suivre cette instruction pourrait endommager votre machine ou vos biens.

INFORMATIONS SUPPLÉMENTAIRES ET MODIFICATIONS POTENTIELLES

Nous nous réservons le droit d'interrompre, de modifier et d'améliorer nos produits à tout moment sans préavis ou obligation envers l'acheteur. Les descriptions et spécifications contenues dans ce manuel étaient en vigueur à l'impression. L'équipement décrit dans ce manuel peut être en option. Certaines illustrations peuvent ne pas s'appliquer à votre machine.



LES RÈGLES DE SÉCURITÉ

ÉTIQUETTES DE MISE EN GARDE

⚠ AVERTISSEMENT : Lisez ce guide de sécurité et d'utilisation avant utilisation. Se familiariser avec ces recommandations pour assurer les meilleures performances de votre machine.

ÉTIQUETTES

La fendeuse à bois porte des étiquettes bien visibles comme rappels pour une utilisation correcte et sûre. Indiquées ci-dessous sont des copies de tous les étiquettes de sécurité et d'information apparaissant sur l'équipement. Prendre un moment pour les étudier et noter leur emplacement sur votre fendeuse à bois lors de votre installation et avant vous faire fonctionner l'appareil. Remplacez immédiatement les étiquettes d'informations de sécurité endommagées ou manquantes.



⚠ WARNING / AVERTISSEMENT

EN) Cutting hazard at wood splitter wedge - stay clear. Keep hands and limbs away from moving parts and log ends. Serious injury or death could result if safety precautions are not followed.

FR) Risque de coupure au niveau du coin de la fendeuse à bois, restez à l'écart. Gardez les mains et les membres éloignés des pièces mobiles et des extrémités des bûches. Des blessures graves ou la mort pourraient survenir si les précautions de sécurité ne sont pas respectées.



⚠ WARNING / AVERTISSEMENT

EN) PINCH POINT - KEEP AWAY

To avoid serious injury, keep hands clear of moving cylinder. Speeds may change with loads or valve functions.

FR) POINT DE LIMITE-SE TENIR ÉLOIGNÉ

Évitez les blessures graves, gardez les mains loin du cylindre en mouvement. La vitesse peut changer avec les charges ou les fonctions de la vanne.

⚠ WARNING / AVERTISSEMENT

EN) Read and understand operator's manual thoroughly before operation. Failure to do so may result in serious injury! Keep all shields in place. Keep hands, feet and clothing away from power-driven parts. Always wear safety glasses and safety shoes during operation. Always operate outdoors with good ventilation. Always stop engine and remove spark plug wire before performing maintenance operations.

FR) Lisez et comprenez attentivement le manuel de l'opérateur avant l'utilisation. Le non-respect de cette consigne peut entraîner des blessures graves ! Gardez tous les gardes en place. Gardez les mains, les pieds et les vêtements éloignés des pièces à entraînement électrique. Portez toujours des lunettes de sécurité et des chaussures de sécurité pendant le fonctionnement. Toujours faire fonctionner à l'extérieur avec une bonne ventilation Arrêtez toujours le moteur et retirez le fil de la bougie avant d'effectuer l'opération d'entretien.

EN) Always shut off engine when leaving log splitter unattended, even for a short period of time. Only one person should load and operate the log splitter. Keep all others clear during operation. Never allow one person to operate valve while another is positioning the log. Always position the log with hands on the sides of the log. Keep hands clear of ends. Keep all children away from the log splitter. Do not step over the log splitter. Only use hands to operate the control valve.

FR) Coupez toujours le moteur lorsque vous laissez la fendeuse sans surveillance, même pendant une courte période. Une seule personne doit charger et faire fonctionner la fendeuse. Gardez tous les autres à l'écart pendant le fonctionnement. Ne laissez jamais une personne actionner le levier pendant qu'une autre personne positionne les bûches. Positionnez toujours la bûche avec les mains sur les côtés de la bûche. Gardez les mains éloignées des extrémités. Éloignez tous les enfants de la fendeuse à bois. Ne marchez pas sur la fendeuse à bois. Utilisez uniquement les mains pour actionner le levier de la soupape de commande.

EN) Do not operate the log splitter while under the influence of alcohol, drugs, or medication. Always operate the log splitter on level, dry, non-slippery surfaces. Keep off slopes. Keep work area clear of split wood, debris or other obstacles. Always stay in the operator zone when using the log splitter. Always split wood in the direction of the grain only. Do not add gasoline while the engine is hot or running. Allow all spilled gas to evaporate before using log splitter.

FR) N'utilisez pas la fendeuse à bois sous l'influence de l'alcool, de drogues ou de médicaments. Utilisez toujours la fendeuse sur des surfaces planes et sèches et non glissantes. Ne pas installer dans une pente. Gardez la zone de travail libre de bûches fendues, de débris ou d'autres obstacles. Fendez toujours le bois dans le sens du grain uniquement. N'ajoutez pas d'essence lorsque le moteur est chaud ou en marche. Laissez toute l'essence répandue s'évaporer avant d'utiliser la fendeuse.

CAUTION / ATTENTION
 EN) LET GO OF THE STARTING LEVER AFTER ACTIVATING THE MOTOR OTHERWISE THE LEVER WILL HIT YOUR HAND WHEN THE MACHINE AUTO RETRACTS
 FR) RETENEZ VOS MAINS IMMÉDIATEMENT LORSQUE VOUS TIREZ LE LEVIER DE COMMANDE VERS LE CÔTÉ D'ARRIÈRE SINON LE LEVIER REVENIRA VOTRE MAIN AUTOMATIQUEMENT VERS LE CÔTÉ DÉTRICABLE ET CE AUTOMATIQUEMENT



LES RÈGLES DE SÉCURITÉ

PERSONNES ET ANIMAUX



ATTENTION : PROTÉGEZ-VOUS ET CEUX QUI VOUS ENTOURENT

Il s'agit d'une machine de grande puissance, avec des pièces mobiles fonctionnant à haute énergie. Vous devez utiliser la machine en toute sécurité. Un fonctionnement dangereux peut créer un certain nombre de dangers pour vous, ainsi que quelqu'un d'autre dans les environs. Prenez toujours les précautions suivantes lorsque vous utilisez cette machine :

- A.** Gardez à l'esprit que l'opérateur ou l'utilisateur est responsable des accidents ou des dangers survenant à d'autres personnes, leurs biens et eux-mêmes.
- B.** Portez toujours des lunettes de protection ou des lunettes de sécurité avec écrans latéraux lorsque vous utilisez la fendeuse pour protéger vos yeux d'éventuels débris projetés.
- C.** Évitez de porter des vêtements amples ou des bijoux, qui peuvent s'accrocher aux pièces mobiles de la machine.
- D.** Nous vous recommandons de porter des gants lors de l'utilisation de la fendeuse à bois. Assurez-vous que vos gants sont bien ajustés et n'ont pas de poignets ou de cordons lâches.
- E.** Portez des chaussures avec des marches antidérapantes lorsque vous utilisez votre fendeuse à bois. Si vous avez des chaussures de sécurité, nous recommandons de les porter. N'utilisez pas la machine pieds nus ou en portant des chaussures à orteils découverts.
- F.** Portez des pantalons longs lorsque vous utilisez la fendeuse à bois.
- G.** Utilisez des protections auditives ou des bouchons d'oreille conçus pour au moins 20 dBA pour protéger vos oreilles.
- H.** Gardez les spectateurs à au moins 50 pieds (20 m.) de votre zone de travail en tout temps. Arrêter le moteur lorsqu'une autre personne ou un animal domestique s'approche.

AVERTISSEMENT : SÉCURITÉ POUR LES ENFANTS ET LES ANIMAUX DE COMPAGNIE

Des accidents tragiques peuvent survenir si l'opérateur n'est pas attentif à la présence d'enfants et d'animaux domestiques. Les enfants sont souvent attirés par la machine et l'activité de fendage. Ne présumez jamais que des enfants resteront là où vous les avez vus pour la dernière fois. Suivez toujours ces précautions :

- A.** Gardez les enfants et les animaux domestiques à au moins 50 pieds (20m) de la zone de travail et assurez-vous qu'ils sont sous le regard attentif d'un adulte responsable.
- B.** Soyez vigilant et éteignez la machine si des enfants ou des animaux domestiques pénètrent dans la zone de travail.
- C.** Ne laissez jamais les enfants utiliser la fendeuse à bois.



LES RÈGLES DE SÉCURITÉ

ESSENCE

AVERTISSEMENT : SÉCURITÉ AVEC L'ESSENCE

L'essence est un liquide hautement inflammable. L'essence dégage également des vapeurs inflammables qui peuvent être facilement s'enflammer et provoquer un incendie ou une explosion. Ne négligez jamais les dangers de l'essence. Suivez toujours ces précautions :

- A.** Ne jamais faire tourner le moteur dans un endroit clos ou sans ventilation adéquate, car l'échappement du moteur contient du monoxyde de carbone, qui est inodore, insipide et mortel.
- B.** Entreposer tout le carburant et l'huile dans des conteneurs spécialement conçus et approuvés à cet effet et tenir à l'écart de la chaleur et des flammes nues, et hors de portée des enfants.
- C.** Remplacez les conduites de carburant et les œillets en caoutchouc lorsqu'ils sont usés ou endommagés et après cinq ans d'utilisation.
- D.** Remplissez le réservoir d'essence à l'extérieur avec le moteur éteint et laissez le moteur refroidir complètement. Ne manipulez pas d'essence si vous ou quelqu'un à proximité fume, ou si vous êtes près de quoi que ce soit qui pourrait le faire s'enflammer ou exploser. Réinstaller le bouchon du réservoir de carburant et le bouchon du réservoir de carburant en toute sécurité.
- E.** Si vous renversez de l'essence, n'essayez pas de démarrer le moteur. Éloignez la machine de la zone du déversement et évitez de créer une source d'inflammation jusqu'à ce que les vapeurs du gaz se soient dissipées. Essuyez tout carburant renversé pour éviter tout risque d'incendie et éliminez correctement les chiffons plein d'essence.
- F.** Laissez le moteur refroidir complètement avant de le ranger dans un endroit fermé. Ne jamais ranger une machine qui a du gaz dans le réservoir, ou un bidon de carburant, près d'une flamme nue ou d'une étincelle telle que de l'eau radiateur, radiateur, sècheuse ou fournaise.
- G.** N'effectuez jamais de réglages ou de réparations avec le moteur en marche. Arrêtez le moteur, débranchez le fil de la bougie, en le gardant éloigné de la bougie pour éviter tout accident de démarrage, attendez cinq minutes avant d'effectuer des réglages ou des réparations.
- H.** Ne jamais modifier le réglage du gouverneur du moteur. Le gouverneur contrôle la vitesse maximum du moteur et protège le moteur. La survitesse du régime moteur est dangereuse et peut endommager le moteur et d'autres pièces mobiles de la machine. Si nécessaire, consultez votre revendeur agréé pour les réglages du régulateur de moteur.
- I.** Éloignez les substances combustibles du moteur lorsqu'il est chaud.
- J.** Ne couvrez jamais la machine tant que le silencieux est encore chaud.
- K.** Ne pas faire fonctionner le moteur avec le filtre à air ou le couvercle d'admission d'air du carburateur retirés. Le retrait de telles pièces pourrait créer un risque d'incendie. N'utilisez pas de solutions inflammables pour nettoyer le filtre à air.
- L.** Le silencieux et le moteur deviennent très chauds et peuvent provoquer de graves brûlures ; Ne pas toucher.

LES RÈGLES DE SÉCURITÉ

SÉCURITÉ GÉNÉRALE



AVERTISSEMENT : SÉCURITÉ GÉNÉRALE

L'utilisation de cette fendeuse à bois en toute sécurité est nécessaire pour prévenir ou minimiser le risque de mort ou de blessure. Un fonctionnement dangereux peut créer un certain nombre de dangers pour vous. Prenez toujours les précautions suivantes lors de l'utilisation de cette fendeuse à bois :

- A.** Votre fendeuse est un outil puissant, pas un jouet. Faites toujours preuve d'une extrême prudence. La machine est conçue pour fendre les bûches. Ne l'utilisez pas à d'autres fins.
- B.** Savoir arrêter rapidement la fendeuse à bois; voir **ARRÊT DU MOTEUR DANS LA SECTION III.**
- C.** N'utilisez jamais votre appareil sur une surface glissante, humide, boueuse ou glacée. Soyez prudent pour éviter glisser ou tomber.
- D.** Voir les instructions du fabricant pour le bon fonctionnement et l'installation des accessoires.
- E.** N'utilisez jamais la machine sans vous assurer que toutes les gardes de protections et tous les écrans sont en place.
- F.** Ne jamais, sous aucune condition, retirer, plier, couper, ajuster, souder ou modifier de quelque manière que ce soit des pièces standard sur la fendeuse. Ceci comprend tous les boucliers et gardes. Des modifications sur votre machine pourraient causer des blessures et des dommages matériels et annulera votre garantie. Autoriser une seule personne à faire fonctionner la fendeuse à la fois.
- G.** Si la machine commence à faire un bruit inhabituel ou à vibrer, arrêtez le moteur, débranchez le fil de la bougie, en le tenant éloigné de la bougie pour éviter tout démarrage accidentel, attendez cinq minutes pour que le moteur refroidisse, puis vérifiez ce qui pourrait être endommagé. Les vibrations sont généralement un avertissement de problème. Vérifiez les pièces endommagées et nettoyez, réparez et/ou remplacez si nécessaire.



LES RÈGLES DE SÉCURITÉ

SÉCURITÉ GÉNÉRALE

- H.** Ne jamais toucher aux dispositifs de sécurité. Vérifiez régulièrement leur bon fonctionnement.
- I.** Avant d'effectuer toute procédure d'entretien ou d'inspection sur la fendeuse de bûches, éteignez le moteur, débranchez le fil de la bougie en l'éloignant de la bougie pour éviter démarrage accidentel, attendez cinq minutes que la machine refroidisse.
- J.** Ne permettez jamais à des personnes qui ne connaissent pas ces règles d'utilisation sécuritaire d'utiliser votre fendeuse.
- K.** Ne jamais surcharger ou tenter de fendre des bûches au-delà des recommandations du fabricant. Ceci pourrait entraîner des blessures corporelles ou endommager la machine.
- L.** Lorsque vous utilisez la fendeuse, ne vous pressez pas et ne prenez pas les choses pour acquises. En cas de doute sur l'équipement ou votre environnement, arrêtez la machine et prenez le temps de regarder les choses.
- M.** N'utilisez jamais la machine sous l'influence de l'alcool, de drogues ou de médicaments.
- N.** N'utilisez la machine qu'à la lumière du jour.
- O.** Restez attentif aux dangers cachés ou à la circulation au tour.
- P.** Gardez tous les écrous et boulons serrés et maintenez l'équipement en bon état de fonctionnement.

REMARQUE : La liste des avertissements et des mises en garde ne peut pas être complète. Si des situations qui ne sont pas couvertes par ce manuel, l'opérateur doit faire preuve de bon sens et utiliser cette fendeuse de manière sûre. Contactez les revendeurs pour obtenir de l'aide dans votre région.



SECTION II
MONTAGE



MONTAGE

VÉRIFIER L'EMBALLAGE

ÉTAPE 1 : INSPECTER L'EMBALLAGE

Ouvrir et déballer tous les articles. Laissez beaucoup d'espace de travail. Inspectez toutes les pièces.

Le Splitter est expédié dans une caisse. Retirez tous les côtés avant de commencer.



REMARQUE : Lors de l'inspection des pièces, si vous constatez des dommages ou des pièces manquantes, veuillez appeler DK2 POWER au **1 (888) 277-6960** ou contactez-nous via notre site internet à **www.detailk2.com**. On remplacera gratuitement toute pièce endommagée ou manquante. **Merci de ne pas retourner en magasin.**

MONTAGE

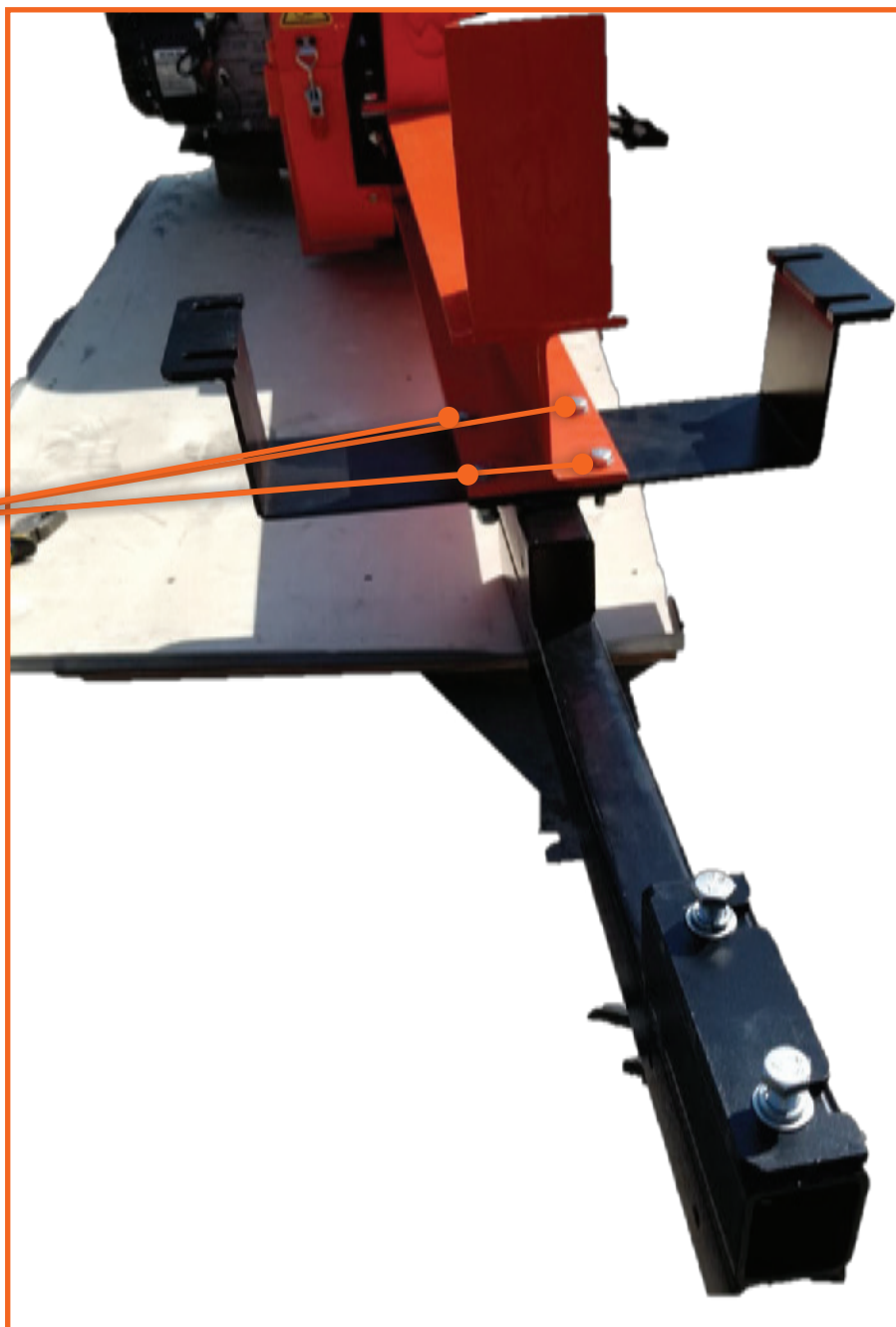
INSTRUCTIONS ÉTAPE PAR ÉTAPE



ÉTAPE 2 : CADRE TRANSVERSAL ET CADRE DE LA BARRE DE REMORQUAGE

1. Installez le cadre transversal et le cadre de la barre de remorquage.
2. Utilisez 4 boulons inclus pour assembler.

4 X BOULONS
ET ÉCROUS

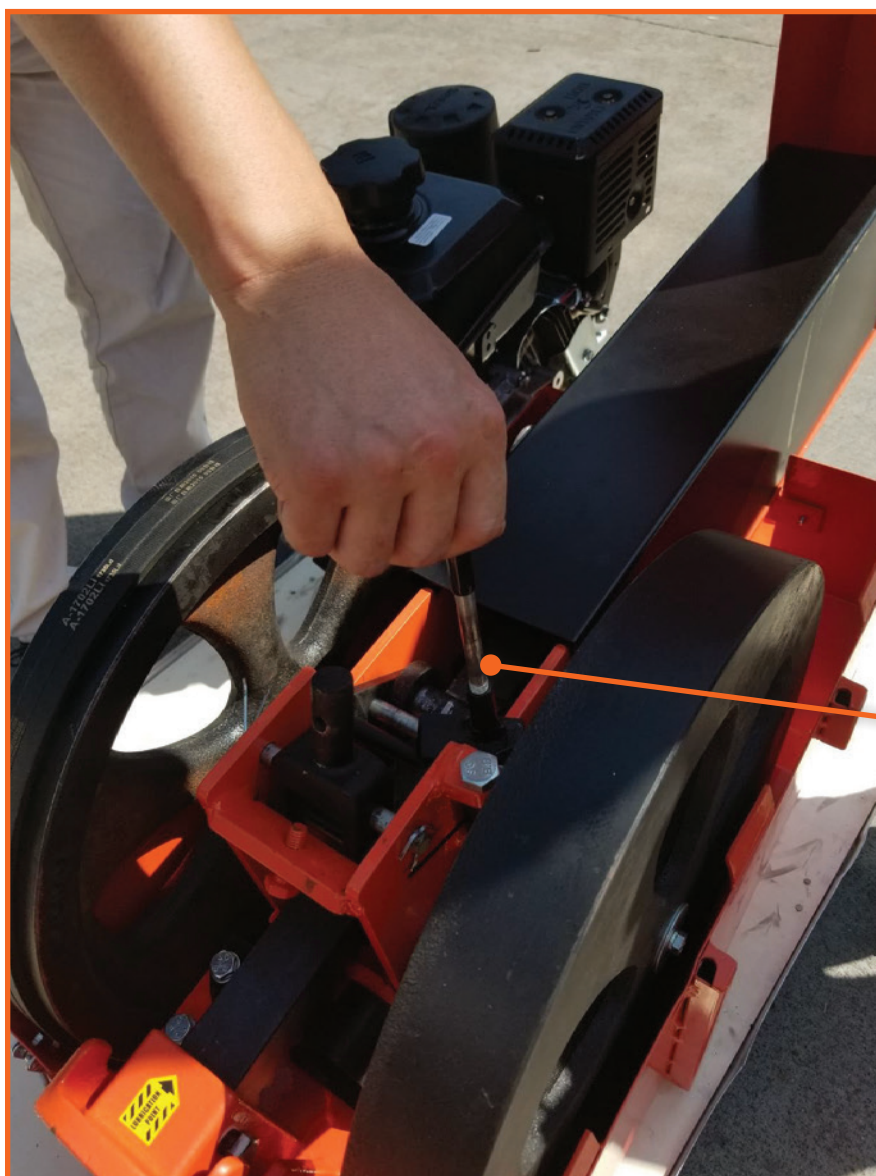




MONTAGE

INSTRUCTIONS ÉTAPE PAR ÉTAPE

ÉTAPE 3 : LEVIER DE CONTRÔLE VERROUILLAGE DE SÉCURITÉ



OUVREZ LE
COUVERCLE ET
INSTALLEZ LA POIGNÉE
VERROUILLABLE
DE CONTRÔLE DE
SÉCURITÉ.

VISSER JUSQU'À CE
QUELLE SOIT SERRER
DANS LA BARRURE.

MONTAGE

INSTRUCTIONS ÉTAPE PAR ÉTAPE



ÉTAPE 4 : LEVIER DE FENTE

1. Installez la levier de fente avec le matériel fourni.
2. Fermez et verrouillez le capot.

PLACER
L'ÉCROU DE
CE CÔTÉ



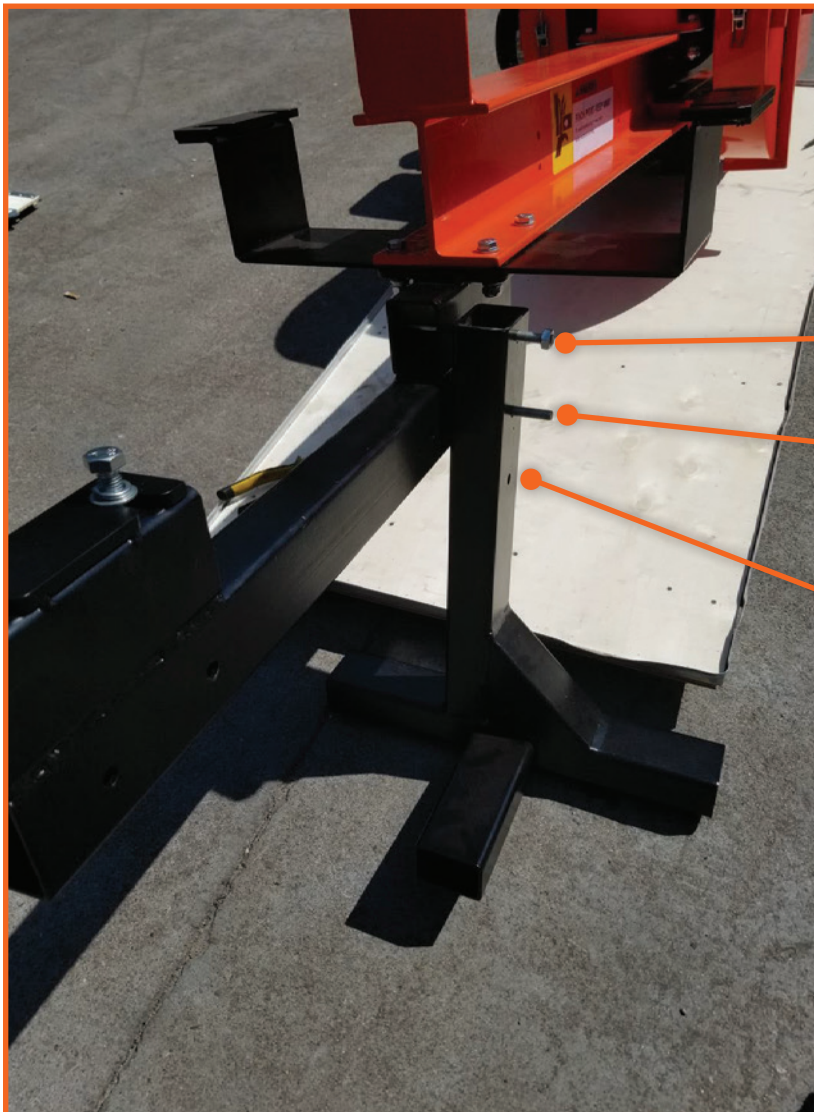


MONTAGE

INSTRUCTIONS ÉTAPE PAR ÉTAPE

ÉTAPE 5 : SUPPORT

1. Installez le support.
2. Boulonnez dans le trou inférieur.
3. Goupille d'attelage dans le trou supérieur.



1 GOUPILLE
D'ATTELAGE
SUR LE DESSUS

1 BOULON EN BAS

LEVER LORS DU
REMORQUAGE
UTILISER LA GOUPILLE
D'ATTELAGE TROU
INFÉRIEUR

MONTAGE

INSTRUCTIONS ÉTAPE PAR ÉTAPE



ÉTAPE 6 : BARRE DE REMORQUAGE

UTILISATION DES 2
BOULONS FOURNIS,
SÉCURISÉS LA BARRE
DE REMORQUAGE
DANS L'ASSEMBLAGE



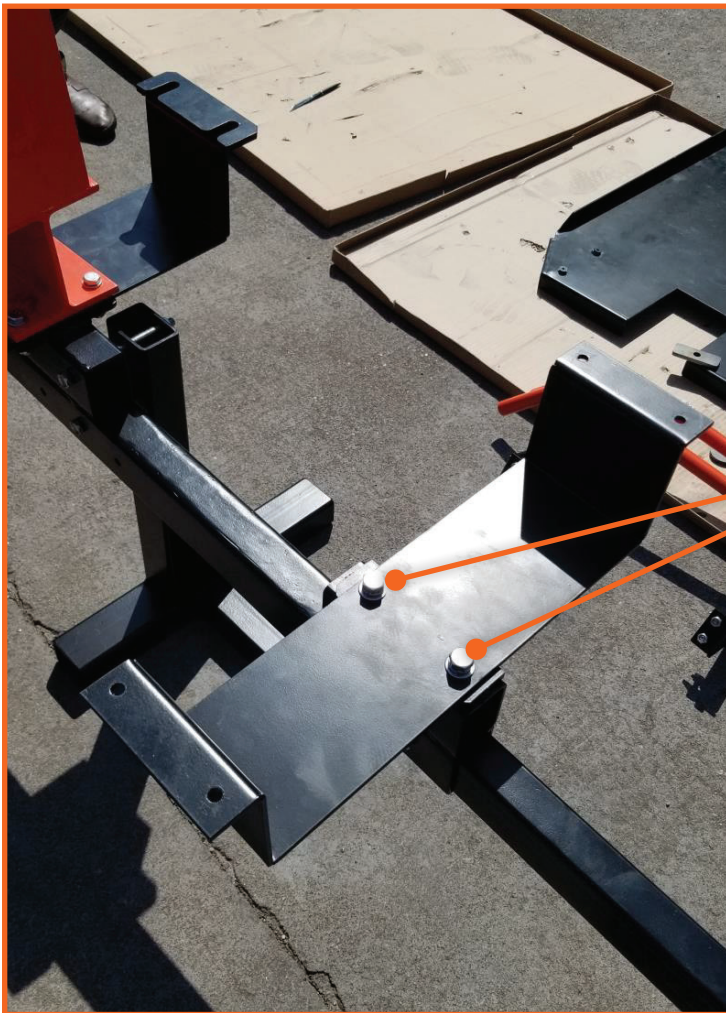


MONTAGE

INSTRUCTIONS ÉTAPE PAR ÉTAPE

ÉTAPE 7 : SUPPORT DE LA TABLE AVANT

1. Installez le support de table avant comme indiqué à l'aide de la quincaillerie fournie.
2. Gardez libre non serré jusqu'après l'installation de la table pour faciliter l'alignement des trous.



UTILISER LE MATÉRIEL
INCLUS POUR FIXER

MONTAGE

INSTRUCTIONS ÉTAPE PAR ÉTAPE



ÉTAPE 8 : FIXATION DES ROUES À L'ESSIEU

1. Installez les roues sur l'essieu et insérez la goupille à ressort.
2. Assurez-vous que la roue tourne librement. Vous pouvez retirer la goupille, faire glisser la roue et la re-barrer pour bloquer la roue pendant l'utilisation de la fendeuse.





MONTAGE

INSTRUCTIONS ÉTAPE PAR ÉTAPE

ÉTAPE 9 : FIXATION DE L'ESSIEU À L'ASSEMBLE

Obtenez de l'aide pour soulever l'unité par la barre de remorquage et l'attelage ou utilisez sécuritairement un cric hydraulique ou palan à chaîne, et tenez l'unité à la verticale, reposant sur la plaque de fond arrière.



ATTENTION, CET APPAREIL EST LOURD ET DOIT ÊTRE MANIPULÉ PAR PLUSIEURS PERSONNES OU UN APPAREIL DE LEVAGE SÉCURITAIRE.

Insérez les 4 boulons fournis et serrez.



MONTAGE

INSTRUCTIONS ÉTAPE PAR ÉTAPE



ÉTAPE 10 : GLISSIÈRES DU BERCEAU DE BÛCHES

1. Assemblez les glissières du berceau de bûches sur le côté de la poutre comme illustré ci-dessous.
2. Utilisez le matériel fourni et boulonnez les deux de berceau de rail ensemble.
3. Serrez bien tous les boulons.

BOULON À
TRAVERS
DU CADRE





MONTAGE

INSTRUCTIONS ÉTAPE PAR ÉTAPE

ÉTAPE 11 : TABLE DE TRAVAIL

1. Utilisez les 8 boulons plats et la quincaillerie fournis.
2. Serrez les 2 boulons sur les supports de la table inférieure qui ont été laissés desserrés (étape 7) lors de la précédente étape de montage.
3. Revérifiez tous les boulons d'assemblage et les boulons d'équipement, et serrez-les si nécessaire.



REMARQUE : Graissez les dents de la crémaillère et la cannelure avec de la graisse standard. Gardez la poutre de fente libre de graisse et gardée propre lors du fendage. Le béliet glisse sur une plaque de téflon, alors gardez-le propre, sans graisse et des particules de bois.



SECTION III
FONCTIONNEMENT



FONCTIONNEMENT

PRATIQUES DE SÉCURITÉ ET INFORMATIONS GÉNÉRALES

⚠ AVANT DE DÉMARRER LE MOTEUR

- Zone dégagée de toutes les personnes et biens qui pourraient être endommagés. Pensez sécurité.
- Cette fendeuse est rapide et peut causer des blessures si la sécurité n'est pas respectée.
- Un seul opérateur doit travailler sur cet appareil. Ne demandez jamais à une autre personne de charger les bûches pendant un autre personne est aux commandes.
- Ne retirez pas le levier de sécurité de la deuxième main.

⚠ SI VOTRE UNITÉ NE DÉMARRE PAS

1. Vérifiez le niveau d'huile. Votre moteur est doté d'une protection contre le manque d'huile et ne démarrera pas s'il manque d'huile.
2. Assurez-vous que le fil de la bougie est bien en place.
3. Déplacez le levier de gaz vers la droite. La position gauche est OFF.
4. Utilisez l'étrangleur pour le démarrage à froid.
5. Vérifiez votre niveau de l'essence.

⚠ PRATIQUE SÉCURITAIRE

- Ne portez pas de vêtements amples qui pourraient se coincer dans le vérin.
- Uniquement du bois à fendre, pas de métal ni de plastique.
- Les enfants ne doivent pas utiliser cet équipement.
- Restez attentif à votre environnement et aux personnes qui pourraient apparaître dans la zone pendant que vous êtes de travail.
- Chargez la bûche sur la poutre, glissez jusqu'au coin de fente.
- Portez des lunettes de sécurité, des gants et des chaussures de protection.
- Utilisez uniquement à l'extérieur - les vapeurs de gaz sont mortelles à l'intérieur.

FONCTIONNEMENT

PRATIQUES DE SÉCURITÉ ET INFORMATIONS GÉNÉRALES



INFORMATIONS GÉNÉRALES

Faites tourner le moteur à plein régime. Cette machine pousse le vérin vers l'avant pendant 1/2 seconde et se rétracte pendant encore 1/2 seconde. Pour assurer une bonne utilisation de la fendeuse, laissez la machine se rétracter avant de charger une autre bûche.

LE PROCESSUS DE FRACTIONNEMENT EST LE SUIVANT :

1. Tirez le levier de sécurité avec votre main gauche.
2. Poussez rapidement le levier de fendage avec votre main droite et relâchez le levier.

REMARQUE : Ne maintenez pas le levier de fendage vers le bas. Le vérin et le levier de fendage se rétracteront automatiquement une fois que la machine aura fendu la bûche. Cela permet à la machine de récupérer de l'énergie cinétique pour des performances optimales.

Consultez le manuel Kohler inclus pour les instructions d'entretien et de fonctionnement du moteur.



FONCTIONNEMENT

AVANT DE COMMENCER

⚠ ATTENTION : AVANT DE COMMENCER

- A. Lisez et comprenez toutes les instructions, précautions de sécurité et/ou avertissements répertoriés dans la **SECTION I : RÈGLES DE SÉCURITÉ** avant d'utiliser la fendeuse. En cas de doute ou de question concernant la méthode correcte ou sûre pour effectuer tout ce qui se trouve dans ce manuel, veuillez contacter le revendeur de votre région pour obtenir des instructions supplémentaires.
- B. Lorsque vous utilisez la fendeuse, assurez-vous de vous tenir dans la zone de fonctionnement sûre (zone opération). Vous devez rester dans la zone d'opération sûre à tout moment lorsque le vérin est en mouvement (qu'il s'étende ou se rétracte). Ne placez jamais aucune partie de votre corps dans une position qui pourrait provoquer une condition dangereuse d'opération.
- C. Avant de charger et d'utiliser la fendeuse, portez toujours un équipement de protection sécuritaire soit des lunettes de protection, une protection auditive, des gants bien ajustés sans cordon de serrage ni poignets lâches, et à embout d'acier aux chaussures.
- D. Familiarize yourself with the correct and incorrect methods of splitting logs. Never split a log using an incorrect or unsafe method.

FONCTIONNEMENT

DÉMARRAGE ET ARRÊT



DÉMARRAGE

1. Positionnez votre fendeuse sur un sol plat et sec, puis barrez la roue avant avec le frein, assurez-vous que la machine ne peut pas être déplacée à partir de cette position.
2. Assurez-vous que le robinet de carburant est ouvert en position **ON**.
3. Déplacez le levier de commande de l'étrangleur sur la position **CHOKE** (ne devrait être nécessaire que si le moteur est froid).
4. Déplacez le levier de commande des gaz en position **FAST (RAPIDE)**.
5. **DÉMARRAGE MANUEL** : Tournez l'interrupteur d'allumage en position **ON**. Saisissez la poignée du lanceur à rappel et tirez lentement jusqu'à ce que vous sentiez une résistance. Laissez le cordon se rétracter un peu, puis tirez rapidement pour démarrer le moteur. Une ou deux tractions démarrent instantanément le moteur.
6. **DÉMARRAGE ÉLECTRIQUE** : Tournez et maintenez la clé en position de démarrage jusqu'à ce que le moteur démarre, puis laissez la clé revenir en position de marche.
7. Ramenez lentement le levier de commande de l'étrangleur (s'il est utilisé pour un moteur froid) en position **RUN** lorsque le moteur tourne bien.
8. Si la fendeuse n'a pas fonctionné (moteur froid), faites chauffer le moteur en le faisant tourner à la moitié du régime pendant trois à quatre minutes, puis amenez la commande d'accélérateur du moteur à la vitesse maximale.

ARRÊT

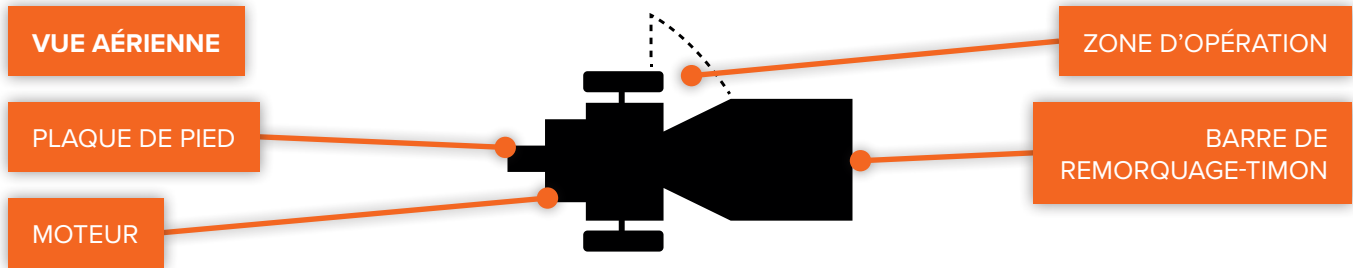
1. Déplacez la manette des gaz sur **IDLE**.
2. **DÉMARRAGE MANUEL** : Tournez le contacteur d'allumage en position **OFF**.
3. **DÉMARRAGE ÉLECTRIQUE** : Tournez la clé en position **OFF**.



FONCTIONNEMENT

ZONE D'OPÉRATION

ZONE D'OPÉRATION



⚠ AVIS : LES BÛCHES NE DOIVENT PAS ÊTRE DE PLUS DE 24 POUCES

⚠ AVERTISSEMENT : PRATIQUES IMPORTANTES DANS LA ZONE DE L'OPÉRATEUR

- A. Ne placez pas vos mains sur les extrémités de la bûche lors du chargement de la fendeuse de bûches. C'est **très dangereux** et pourrait entraîner de graves blessures aux mains.
- B. Ne pas atteindre ou franchir le rail pendant que la fendeuse est en opération. C'est **très dangereux** et pourrait causer des blessures corporelles, voire mortelles.
- C. Ne vous penchez pas vers l'avant et n'essayez pas d'attraper le bois fendu pendant que la bûche est fendue - laissez-la tomber au sol.

⚠ ATTENTION : ÉVITEZ LE FENDAGE TRANSVERSAL

N'essayez jamais de fendre le bois autrement que dans le sens du grain. La fendeuse n'est pas conçue pour couper la bûche, mais la fendre. Cela pourrait endommager la fendeuse et causer des blessures. Assurez-vous que les deux extrémités de la bûche que vous fendez sont placées correctement et aussi carrées que possible. Cela empêchera la bûche de glisser hors de sa position lorsqu'elle sera sous pression.

1. Placez la bûche dans la fendeuse. Saisissez la bûche sur les côtés près du milieu de la bûche. Centrez la bûche, côte à côte, sur le rail de la fendeuse, en vous assurant qu'une extrémité est contre le coin de fendage.
2. Avec votre main gauche, tirez le levier de sécurité, avec votre main droite, poussez le levier de fendage, puis laissez aller. Cette machine se rétracte automatiquement après relâchement du levier de fendage.



SECTION IV
ENTRETIEN



ENTRETIEN

Liste de Contrôle Régulière

MAINTENANCE RÉGULIÈRE

Un entretien régulier est un moyen d'assurer les meilleures performances et une longue durée de vie de votre machine. Veuillez vous référer à ce manuel et au manuel d'utilisation du fabricant du moteur pour les procédures d'entretien.

⚠ AVERTISSEMENT : AVANT D'EFFECTUER L'ENTRETIEN

Avant d'effectuer toute procédure d'entretien ou d'inspection, arrêtez le moteur, attendez cinq minutes pour permettre à toutes les pièces de refroidir. Débranchez le fil de la bougie, en le gardant éloigné de la bougie. Débranchez les bornes de la batterie (démarrage électrique uniquement).

Liste de Contrôle

PROCÉDURE	AVANT CHAQUE UTILISATION	TOUTES LES 3 HEURES	TOUTES LES 25 HEURES	TOUTES LES 100 HEURES
Vérifier le niveau d'huile moteur	•			
Vérifier l'état général de l'équipement	•			
Vérifiez la netteté de la coupe de la cale	•			
Graisser la surface de la glissière	•			
Vérifier les courroies	•			
Graisser à crémaillère et pignon		•		
Vérifier la pression des pneus			•	
Nettoyer l'extérieur du moteur et les ailettes de refroidissement du moteur			•	
Changez l'huile du moteur			•	
Remplacer le filtre à air			•	
Remplacer la bougie				•

ENTRETIEN

INFORMATIONS GÉNÉRALES



ENTRETIEN MOTEUR

Reportez-vous au manuel de votre moteur Kohler fourni pour plus d'instructions sur l'entretien du moteur.

AVIS : LUBRIFICATION

Tous les roulements de votre fendeuse sont des unités scellées et doivent avoir une quantité suffisante de lubrifiant pour durer toute la vie de votre machine avec une utilisation normale.

AVIS : GRAISSAGE DE LA CRÉMAILLÈRE ET DU PIGNON

Toutes les crémaillères et pignons doivent être graissés avant chaque utilisation avec de la graisse pour engrenages standard.



ENTRETIEN DÉPANNAGE

SYMPTÔME	CAUSE POSSIBLE
<p>Le moteur ne démarre pas.</p> <p>(Veuillez vous référer au manuel d'utilisation du moteur pour moteur spécifique procédures.)</p>	<ul style="list-style-type: none"> • L'interrupteur d'allumage est-il en position ON ? • Le robinet de carburant est-il ouvert ? • Utilisez-vous de l'essence fraîche et propre ? Si l'essence est vieille, changez-la. Utilisez un stabilisateur de carburant si vous gardez l'essence plus longtemps que 30 jours. • La bougie est-elle propre ? Si la bougie est sale ou fissurée, changez-la. Si elle est huileuse, laissez-la de côté, prenez un chiffon et mettez-le sur le trou où l'on visse la bougie et tirez le démarreur manuel plusieurs fois pour souffler toute l'huile du cylindre, puis essuyez la bougie et réinsérez-la.
<p>Le moteur manque de puissance ou ne fonctionne pas en douceur.</p> <p>(Veuillez vous référer au manuel d'utilisation du moteur pour moteur spécifique procédures.)</p>	<ul style="list-style-type: none"> • Vérifiez que la manette des gaz est en position RUN. • Le filtre à air est-il propre ? S'il est sale, le changer en suivant la procédure du manuel du constructeur du moteur. • La bougie est-elle propre ? Si la bougie est sale ou fissurée, changez-la. Si elle est huileuse, laissez-la de côté, prenez un chiffon et mettez-le sur le trou où l'on visse la bougie et tirez le démarreur manuel plusieurs fois pour souffler toute l'huile du cylindre, puis essuyez la bougie et réinsérez-la. • Utilisez-vous de l'essence fraîche et propre ? Si l'essence est vieille, changez-la. Utilisez un stabilisateur de carburant si vous gardez l'essence plus longtemps que 30 jours. • Votre moteur a-t-il la bonne quantité d'huile ? Si elle est sale, changez-la en suivant la procédure du manuel du propriétaire du fabricant du moteur. • Vérifiez le niveau d'huile et ajustez-le si nécessaire.
<p>Le moteur fume.</p> <p>(Veuillez vous référer au manuel d'utilisation du moteur pour moteur spécifique procédures.)</p>	<ul style="list-style-type: none"> • Vérifiez le niveau d'huile et ajustez au besoin. • Vérifiez le filtre à air et nettoyez-le ou remplacez-le si nécessaire. • Vous utilisez peut-être la mauvaise huile - trop légère pour la température. Reportez-vous au manuel du propriétaire de votre moteur pour des informations détaillées. • Nettoyez les ailettes de refroidissement si elles sont sales.
<p>Le bloc de pousser s'accroche à l'extrémité du tube (en fin de course).</p> <p>Bloc de retour très lent ou ne revient pas complètement.</p>	<ul style="list-style-type: none"> • Réglez les fixations du chariot (guides coulissants). • Vérifiez qu'il n'y a pas de copeaux de bois ou de débris entre le bloc, le vérin et la poutre. • Vérifiez que le roulement de levage de crémaillère ne soit pas aligné ou endommagé. • Le ressort de rappel est décroché ou endommagé. Reconnectez ou remplacez si nécessaire. • L'extrémité de la fendeuse est trop basse. Doit être presque de niveau ou l'extrémité du coin légèrement plus haute.
<p>Enclenchement du levier de commande décroche, ne reste pas enclencher.</p>	<ul style="list-style-type: none"> • Levier pas complètement vers l'avant lorsque le bloc est en pleine charge. Pousser le levier plus rapidement et avec plus de force dans la position complètement avancée. • Le vérin a été surchargé dans la partie inférieure du visage. Vérifiez la rectitude de la crémaillère.
<p>Bloc de pousser retourne trop vite.</p>	<ul style="list-style-type: none"> • Coin de l'extrémité de la machine est trop haut. Doit être presque au niveau de l'extrémité du vérin ou juste légèrement plus haut. • Les ressorts ne fonctionnent pas correctement. Réparez ou remplacez au besoin.
<p>La machine ne semble pas avoir sa complète puissance de fente.</p>	<ul style="list-style-type: none"> • Les courroies peuvent être trop lâches et glissantes. Ajustez ou remplacez les courroies au besoin.
<p>Levier de fente n'engage pas la crémaillère avec pignon.</p>	<ul style="list-style-type: none"> • Nettoyez les copeaux de bois ou autres débris du dessous du panier. • Nettoyez la saleté accumulée du cadre où l'ensemble de chariot repose contre les pare-chocs en caoutchouc

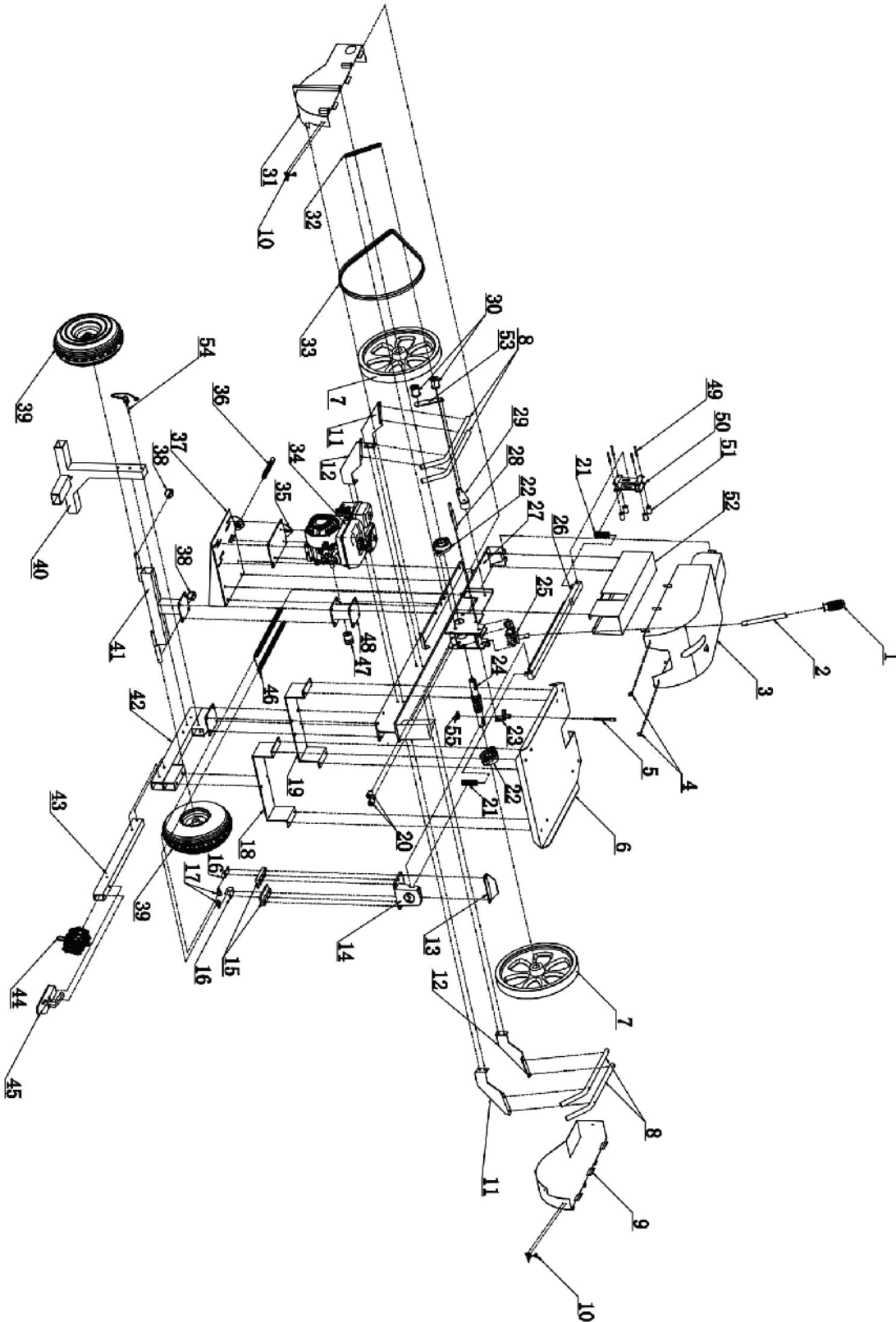


SECTION V
PIÈCES & SCHÉMAS



PIÈCES & SCHÉMAS

VUE EXPLOSÉE



PIÈCES & SCHÉMAS

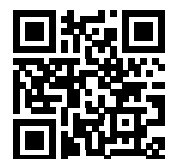
LISTE DE PIÈCES



No.	Spécification	No.	Spécification
1	Manchon en caoutchouc pour levier	29	Support de rouleaux
2	Levier	30	Rouleau de pression
3	Couvercle supérieur	31	Capot inférieur moteur
4	Fermeoir	32	Ressort porte-rouleau
5	Vis d'interrupteur	33	Courroie
6	Table de travail	34	Moteur
7	Poulie	35	Plancher du moteur
8	Protecteur de tube de cadre	36	Tige filetée
9	Protecteur inférieur	37	Support de moteur
10	Boucle de pression	38	Goupille (essieu de roue)
11	Support de garde gauche	39	Pneu
12	Support de garde droit	40	Support avant
13	Bloc amortisseur	41	Essieu
14	Coussin éjecteur	42	Entretoise support avant
15	Ferrure de tête	43	Barre de remorquage
16	Bague de bloc fixe	44	Chaîne métallique
17	Bagues	45	Attache d'attelage
18	Plaque support de table avant	46	Tige d'engrenage à ressort
19	Plaque support de table arrière	47	Petite poulie
20	Coussin caoutchouc	48	Support d'essieu
21	Ressort de compression (tampon d'éjection)	49	Boulon hexagonal extérieur
22	Socle de roulement	50	Fixation de la tige d'engrenage
23	Petit interrupteur	51	Écrous
24	Arbre de transmission	52	Couvercle de tige
25	Gâchette	53	Pièce de fixation du rouleau
26	Tige de transmission	54	Goupille de support avant
27	Poutre	55	Ressort de torsion
28	Goupille de déclenchement		

Scannez le code QR pour accéder au magasin de pièces DK2 POWER
ou ouvrez votre navigateur et accédez à
www.detailk2.com/shop-power-equipment-parts

Votre modèle de déchiqueteuse est : OPS240





GARANTIE

3 ANS DE MOTEUR & 1 ANS DE CHÂSSIS

VEUILLEZ NE PAS RETOURNER AU MAGASIN

VOUS AVEZ UNE GARANTIE DE 1 AN ET DK2 REMPLACERA GRATUITEMENT UNE PIÈCE DÉFECTUEUSE. APPELEZ-NOUS AU 1 (888) 277-6960 POUR DES PIÈCES DE GARANTIE ET DES QUESTIONS RAPIDES.

CE QUI EST COUVERT - MOTEUR DE 3 ANS ET GARANTIE COMMERCIALE DE 1 AN INCLUS

Detail K2 Inc. garanti à l'acheteur original que le produit sera exempt de défauts de fabrication et matériaux dans des conditions normales d'utilisation et de service pendant une période d'un (1) an à compter de la date originale d'achat. Si dans un délai d'un (1) an à compter de la date d'achat d'origine, ce produit tombe en panne en raison d'un défaut matériel ou fabrication, Detail K2 réparera, remplacera ou fournira toute pièce défectueuse couverte par la garantie à notre gré. La Garantie de DK2 POWER est de 1 an sur les pièces seulement Cette garantie ne s'applique pas à la main-d'oeuvre. La garantie Kohler de 3 ans est PIÈCES et MAIN-D'OEUVRE.

À l'expiration d'un (1) an, Detail K2 n'aura plus aucune responsabilité liée au produit. Le détail K2 n'autorise aucune partie, y compris ses distributeurs ou revendeurs agréés, à offrir toute autre garantie au nom de Detail K2 Inc.

LES NUMÉROS DE SÉRIE DOIVENT ÊTRE ENREGISTRÉS EN LIGNE SUR WWW.DK2POWER.COM, GARANTIE NON TRANSFÉRABLE.

MOTEURS KOHLER – MOTEURS KOHLER SÉRIE CH COMMERCIAL 3 ANS PIÈCES ET MAIN D'UVRE GARANTIE
MOTEURS KOHLER – MOTEURS KOHLER SÉRIE SH RÉSIDENTIELS 2 ANS PIÈCES ET MAIN D'OEUVRE GARANTIE

Consultez votre manuel Kohler pour une garantie spécifique.

DK2–1 an pièces uniquement, pas de main-d'œuvre. Garantie commerciale Kohler de 3 ans.

CETTE GARANTIE NE COUVRE ET NE S'APPLIQUE PAS À :

- (a) Dommages au produit dus à une mauvaise utilisation, une mauvaise manipulation et/ou un abus
- (b) Installation, entretien et entreposage inappropriés
- (c) Les pièces consommables telles que les écrous et boulons, les goupilles et les ressorts, les composants de câblage et de commutateur, les tuyaux hydrauliques et raccords, dents de coupe, chaînes de coupe, lames de coupe, accélérateurs, courroies et pneus.
- (d) Usure normale
- (e) Dommages indirects et dommages accessoires tels que dommages aux personnes ou aux biens

PROCÉDURE DE GARANTIE DES ÉQUIPEMENTS D' EXTÉRIEURS

Au cours de la période de garantie d'un (1) an, l'acheteur du produit peut APPELEZ 1 (888) 277-6960 ou contactez-nous au www.DK2Power.com. Signalez-nous le défaut revendiqué et fournissez la preuve de l'achat d'origine. À ce stade, la validité de la réclamation sera déterminé et si des pièces de remplacement approuvées seront émises. Aucun produit retourné ne sera accepté sous-garantie à moins d'être accompagnée d'un RGA# émis par Detail K2 Inc.

DOMMAGE DU AU TRANSPORT

Les dommages causés à votre produit par une mauvaise manipulation du transporteur ne sont PAS couverts par la garantie. Si votre caisse arrive endommagé, REFUSEZ-LA. **Inspectez votre produit à son arrivée**, sinon si vous l'acceptez, vous serez responsable du dépôt de toute réclamation auprès de la société de livraison. La garantie DK2 exclut les dommages au produit du au transporteur.

RETOURS AVANT ESSENCE ET HUILE

Suivez la politique de retour du détaillant chez qui vous avez acheté l'équipement.

RÉSOLUTION POUR UN PRODUIT DÉFECTUEUX APRÈS L'AJOUT DE L'ESSENCE ET DE L'HUILE.

Appelez-nous au 1 (888) 277-6960 entre 8 h et 16 h du lundi au vendredi HNE.