



4 ft. x 8 ft. Galvanized Folding Trailer Owner's Manual

Model MFT4X8G

8 ft. (244 cm)
Utility
Trailer

DETAIL K2 INC.



STOP!

Questions, problems, missing parts? Do not return to your retailer.

Please call our customer service department at: 1(888) 277-6960. Our customer service staff are ready to provide assistance. If a part is damaged or missing, replacement parts can be shipped from our facility. For immediate help with assembly, or for additional product information, call our North American toll-free number: 1(888) 277-6960.

Save this manual

You will need this manual for safety instructions, operating procedures, and warranty.

Put it and the original sales invoice in a safe, dry place for future reference.

ARRÊTEZ!

Vous avez des questions, des problèmes, ou des pièces manquent? Ne retournez pas chez votre détaillant.

Veuillez appeler notre service à la clientèle au: 1-888-277-6960. Notre personnel du service à la clientèle est prêt à vous fournir une assistance.

Si une pièce est endommagée ou manquante, une pièce de remplacement peut vous être expédiée rapidement de nos installations. Pour une aide immédiate à l'assemblage ou pour plus d'informations sur le produit, veuillez communiquer avec notre numéro sans frais 1-888-277-6960.

Conservez ce manuel

Ce manuel vous offre des instructions sur la sécurité, des procédures opérationnelles et votre garantie.

Gardez-le ainsi que votre facture originale dans un endroit sec et sécurisé pour référence future.

WARNING! Please read through these instructions completely **BEFORE** you begin to assemble and install your DK2 trailer. Failure to follow the instructions closely could cause serious personal injury or property damage.

Thank for very much for choosing a DK2 product! For further reference, please complete the owner's records below:

Model: _____ Purchase Date: _____

Save the receipt, warranty and these instructions. It is important that you read the entire manual to become familiar with this product before you begin using it.

This trailer is designed for certain applications only. The distributor cannot be responsible for issues arising from modification. We strongly recommend this trailer not be modified and/or used for any application other than that for which it was designed. If you have any questions relative to a particular application, **DO NOT** use the trailer until you have first contacted the distributor to determine if it can or should be performed on it.

TABLE OF CONTENTS

Important safe operating practices	3
General warnings	4
Specific operation warnings.....	4
Contents	5
Technical specifications	5
General warnings	5
Bed assembly	7
Drawbar assembly	8
Spring hanger assembly.....	9
Fender kit assembly	10
Spring and axle assembly	11
Tire assembly	12
Lighting kit installation	14
Wiring the trailer	15
Attaching the coupler.....	18
Safe use and operation rules.....	20
Towing vehicle	20
Hitch, ball, coupler	20
Safety chains	20
Loading.....	20
Lighting.....	20
Wheels and tires.....	21
Operation.....	21
Folding the trailer.....	21
Maintenance	22
Canadian trailer licensing notice	23
U.S.A trailer licensing notice	23
Licensing	23
Parts List.....	24
Schematic diagram.....	25

IMPORTANT SAFE OPERATING PRACTICES

IMPORTANT: *Read safety rules and instructions carefully before using this equipment. Read and follow instructions carefully. Save owner's manual for future reference or parts information. Be certain any future user of this carrier is aware of correct attachment and use.*

CAUTION: *Safety First — Read this manual carefully before attaching and using your trailer. We recommend that you read this manual completely so that you are fully aware of all important safety recommendations. Record your serial number.*

DANGER: *This equipment was built to be operated according to the rules for safe operation in this manual. As with any type of equipment, carelessness or error on the part of the operator can result in serious injury or property damage.*

- To use this equipment properly, you must observe the safety regulations, the assembly instructions and the operating instructions to be found in this manual.
- All persons who use and service the trailer must be informed about potential hazards and must be well acquainted with this manual.

IMPORTANT WARNING: *It is critical that your DK2 Trailer is properly secured to the vehicle.*

- *Attaching it improperly could result in a vehicular accident, causing serious bodily harm, injuries, or death to you or to others.*
- *Securing trailers and accessories to your vehicle is your legal responsibility. Check the trailer prior to use, and inspect the components for adjustment, wear, and damage periodically.*
- *You must read and understand all of the instructions and cautions before you install or use the trailer.*
- *If you do not understand all of the instructions and cautions, or if your mechanical experience precludes following them, have the trailer installed by a professional.*

WARNING: *You are responsible to ensure the trailer attaches safely and securely to the vehicle.*

- *This trailer is designed for use on passenger cars, trucks, and SUVs that have the trailer hitch and weight capacity.*
 - *Inappropriate use and fastening of the trailer to the vehicle may lead to damage to cargo, the trailer, and/or your vehicle. It may also inflict damage on other vehicles behind and elsewhere on the road with you.*
- Do not take the trailer through an automatic car wash.

GENERAL WARNINGS

WARNING: *Read and understand all instructions. Failure to follow all instructions listed below may result in electric shock, fire and/or serious injury.*

WARNING: *The warnings, cautions, and instructions discussed in this instruction manual cannot cover all possible conditions or situations that could occur. It must be understood by the operator that common sense and caution are factors that cannot be built into this product, but must be supplied by the operator.*

1. **KEEP THE WORK AREA CLEAN AND DRY.** Damp or wet work areas can result in injury.
2. **KEEP CHILDREN AWAY FROM WORK AREA.** Do not allow children to handle this product.
3. **ALWAYS WEAR ANSI-APPROVED SAFETY GLASSES AND HEAVY-DUTY WORK GLOVES** during assembly and use. Do not wear loose clothing or jewelry which can get caught in moving parts.
4. **READ YOUR OWNER'S MANUAL CAREFULLY.** Get to know your trailer and familiarize yourself with its applications and limitations.
5. **USE THE TRAILER ACCORDING TO THE GUIDELINES IN THIS MANUAL.** Do not abuse it or force it to do a job for which it was not designed.
6. **USE ONLY ORIGINAL EQUIPMENT PARTS AND ACCESSORIES.** Consult this owner's manual. The use of incorrect accessories may produce unforeseen hazards.
7. **STORE IDLE EQUIPMENT.** When not in use, tools and equipment should be stored in a dry location to inhibit rust. Always lock up tools and equipment, and keep out of reach of children.
8. **USE THE RIGHT TOOL FOR THE JOB.** Do not attempt to force small equipment to do the work of larger industrial equipment. There are certain applications for which this equipment was designed. It will do the job better and more safely at the capacity for which it was intended. Do not modify this equipment, and do not use this equipment for a purpose for which it was not intended.
9. **CHECK FOR DAMAGED PARTS.** Before using this product, carefully check that it will operate properly and perform its intended function. Check for damaged parts and any other conditions that may affect the operation of this product. Replace damaged or worn parts immediately.
10. **DO NOT OVERREACH.** Keep proper footing and balance at all times to prevent tripping falling, back injury, etc.
11. **DO NOT USE THIS TRAILER WHEN TIRED OR DISTRACTED.**
12. **INDUSTRIAL APPLICATIONS MUST FOLLOW OSHA REQUIREMENTS.**

SPECIFIC OPERATION WARNINGS

1. **BEFORE EACH USE, ALWAYS EXAMINE THE TRAILER** for proper tire (13) condition and air pressure, damaged Tail Lights (30L, 30R), damaged Side Running Lights (38), loose bolts and nuts, structural cracks, bends and any other condition that may affect its safe operation. Do not use the Trailer even if minor damage appears.
2. **BEFORE EACH USE, ALWAYS ATTACH THE SAFETY CHAINS** (1) of the trailer to the towing vehicle. Make sure the Safety Chains are attached to the towing vehicle with an equal length at each side. Do not allow the Safety Chains to drag on the ground.
3. **ALWAYS CHECK TO MAKE SURE THE PAYLOAD BEING TRANSPORTED IS PROPERLY AND SAFELY SECURED IN THE TRAILER.** Load the trailer evenly from side to side with 60% of the load weight forward of the Axle (7).
4. **MAKE SURE THE TOWING VEHICLE IS CAPABLE OF TOWING THIS TRAILER AND ITS PAYLOAD.** Make sure the hitch on the towing vehicle is capable of towing the trailer and its payload. The towing

GENERAL WARNINGS

- capacity of the hitch is typically stamped on the hitch drawbar.
5. **MAKE SURE** the hitch coupler (7) and the vehicle’s Ball Hitch (not included) are of equal mating size (2”) and are rated equal to or greater than the weight of the trailer and its payload.
 6. **DO NOT EXCEED 45 MILES PER HOUR (72 km/h)** when towing the trailer. Excess speed is a major cause of vehicle-trailer accidents.
 7. **DO NOT ATTEMPT TO POWER THE TRAILER LIGHTS WITH ANY OTHER THAN THE CORRECT TYPE OR VOLTAGE ELECTRICAL CURRENT.** The LED tail lights supplied with this trailer are for a 12 volt DC electrical system only.
 8. **PARK THE TRAILERS ON A FLAT, LEVEL, PAVED SURFACE AND CHOCK BOTH TIRES** whenever possible, to keep the trailer from accidentally moving.
 9. **BEFORE ATTEMPTING TO FOLD UP THE TRAILER,** make sure it is on a flat, level, solid surface and chock both Tires (13).
 10. **NEVER ATTEMPT TO FOLD UP THE TRAILER WITHOUT THE HELP** of one or two able assistants.
 11. **DO NOT EXCEED THE 1450 POUND WEIGHT CAPACITY.**
 12. **DO NOT ALLOW ANYONE TO RIDE** in a towed vehicle or on the trailer.
 13. **DO NOT TRANSPORT PASSENGERS OR HEAVY CARGO INSIDE A VEHICLE** that is being towed.
 14. **THE COUPLER MUST BE PROPERLY SECURED TO THE HITCH BALL.** After assembly and attachment, pull up and down on the hitch coupler to make sure the hitch ball is snug in the hitch coupler. If the coupler is not secured properly, it could come loose while the trailer is in motion, causing property damage, serious personal injury or even death.
 15. **MAKE WIDE TURNS** when towing a loaded trailer, avoiding both sharp turns and U-turns. Turning too sharply can cause damage to the trailer and/or the tow vehicle.

UNPACKING

- When unpacking, check to make sure all the parts shown on the Parts List (see p.) are included.
- If any parts are missing or broken, please contact with us.

TECHNICAL SPECIFICATIONS

Tires	5.30-12 tubeless
Wheel Lug Nuts	5 per wheel: 85-90 ft-lb. (115.24 - 122.02 Nm) torque
Tire Pressure	80 PSI (552 kPa) cold
Rim	12 x 5
Bed Dimensions	4 ft. x 8 ft. (1.22 m x 2.44 m)
Ball/Coupler size	2 Inch (≈ 50 mm)
Coupler capacity	Class II; 3500 lb. (1587.6 kg), Maximum Gross Load
Load Capacity	1450 lb. (657.7 kg)
Net weight	262 lb. (118.8 kg)
GAWR	1980 lb. with 5.30-12 tires at 80 PSI cold
GVWR	1720 lb.

ASSEMBLY

Read the following instructions step by step. Refer also to the complete parts and hardware list.

Average assembly time is 1 hour.

You will need the following tools to assemble your trailer:

16 mm wrench or socket

17 mm wrench or socket

18 mm wrench or socket

19 mm wrench or socket

20 mm wrench or socket

21 mm wrench or socket

Pliers

Phillips screwdriver

Rubber mallet

NOTE:

- *The trailer parts are called out by standing at the rear of the trailer looking toward the hitch. The trailer frame parts are labeled.*
 - *Do not tighten any nuts and bolts until the entire trailer is assembled.*
 - *Periodically check all the nuts and bolts for tightness.*
 - *Tighten the wheel lug nuts to 85-90 ft-lb. (115.24 - 122.02 Nm) of torque after assembling the trailer, after the first 20, 50 and 100 miles (30, 80, and 160 kilometres) of driving and before each tow thereafter.*
-
-

ASSEMBLY

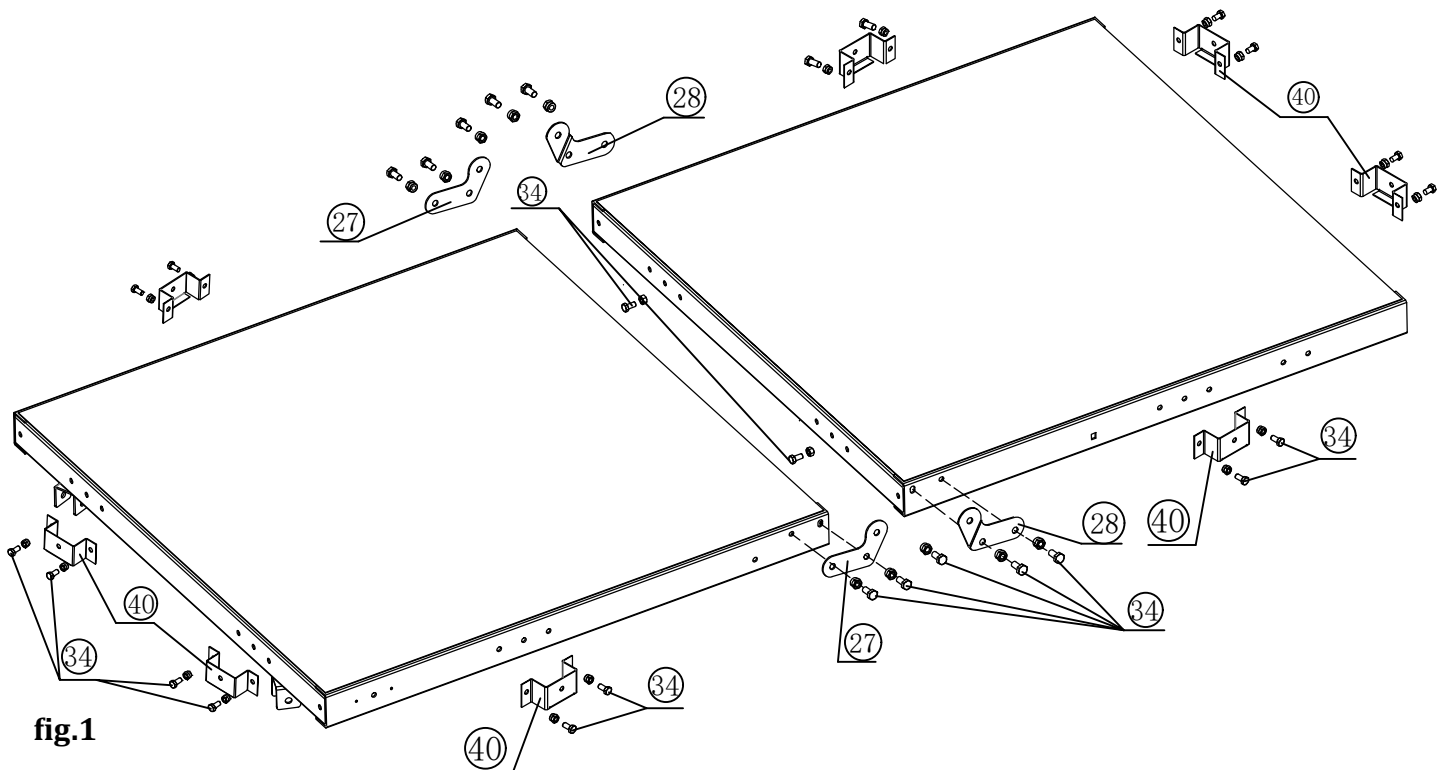
STEP 1

BED ASSEMBLY

Lay the front bed (26) and rear bed (21) as shown. Note the location of the marker lights holes in the front side rails. See fig.1

1. Use M10 x 20 hex head bolts and nuts (34) to mount the 8 stake pockets (40) to the trailer as shown.
2. Use M10 x 20 hex head bolts and nuts (34) to mount the inside hinge (27) to the front bed (26) and the outside hinge (28) to the rear bed (31);
3. Connect the two beds with M10 x 20 hex head bolts and nuts (34).

Item N°	Description	Qty
34	Hex M10 x 20 & nut (set)	28
40	Stake pocket	8
28	Outside hinge	2
27	Inside hinge	2



ASSEMBLY

STEP 2

DRAWBAR ASSEMBLY

1. Flip the connected front and rear bed assemblies over, so they are upside down.
2. Position drawbar (5L, 5R) to the trailer front bed (26), fitting the bars into the U slots on the front cross member.
3. Use L latch (37) to go through the U bracket and lock with R clip after then.
4. Use M10 x 30 (36), M12 x 25 (39) to connect the drawbar end to trailer side rails. Do not tighten the bolts until all bolts in position.
5. Connecting drawbar T plate (3), drawbar coupler base (4) as shown with M10 x 20 (34)

Item N°	Description	Qty.
3	Tow bar T-plate	1
4	Coupler base	1
5	Tow bar	2
34	Hex M10 x 20 bolt & nut (set)	12

Item N°	Description	Qty.
36	Hex bolt M10 x 30 & nut (set)	2
37	Hitch pin Ø12 x 75 & R clip (set)	2
39	Hex bolt M12 x 25 & nut (set)	2

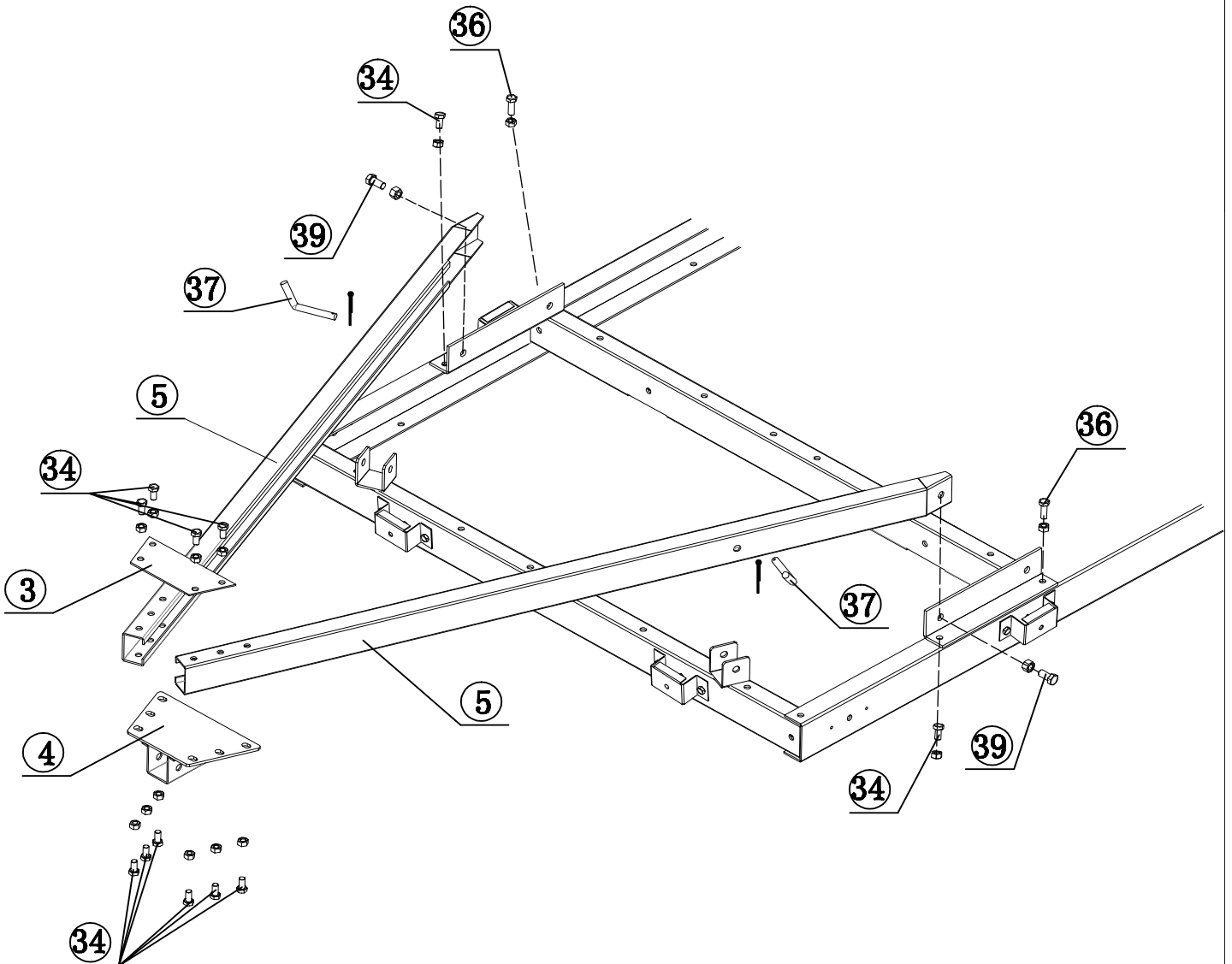


fig.2

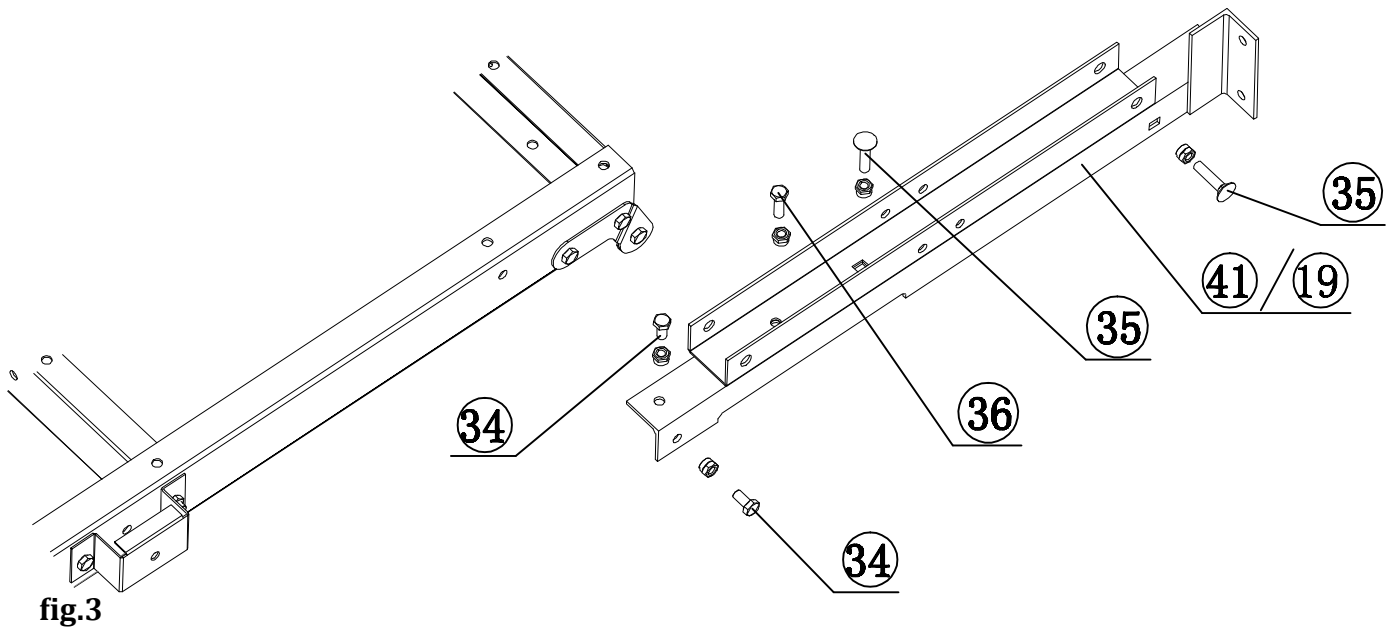
ASSEMBLY

STEP 3

SPRING HANGER ASSEMBLY

Install the Left spring hanger (19) and Right spring hanger (shown, 41, fig.3) to trailer sides with M10 x 20 (34) at front, M10 x 30 (36) in the middle and M10 x 25 carriage bolts (35) for rear end.

Item N°	Description	Qty.
19	Left spring hanger	1
34	Hex bolt M10 x 20 & nut (set)	4
35	Carriage bolt M10 x 25 & nut (set)	4
36	Hex M10 x 30 bolt & nut (set)	2
41	Right spring hanger	1



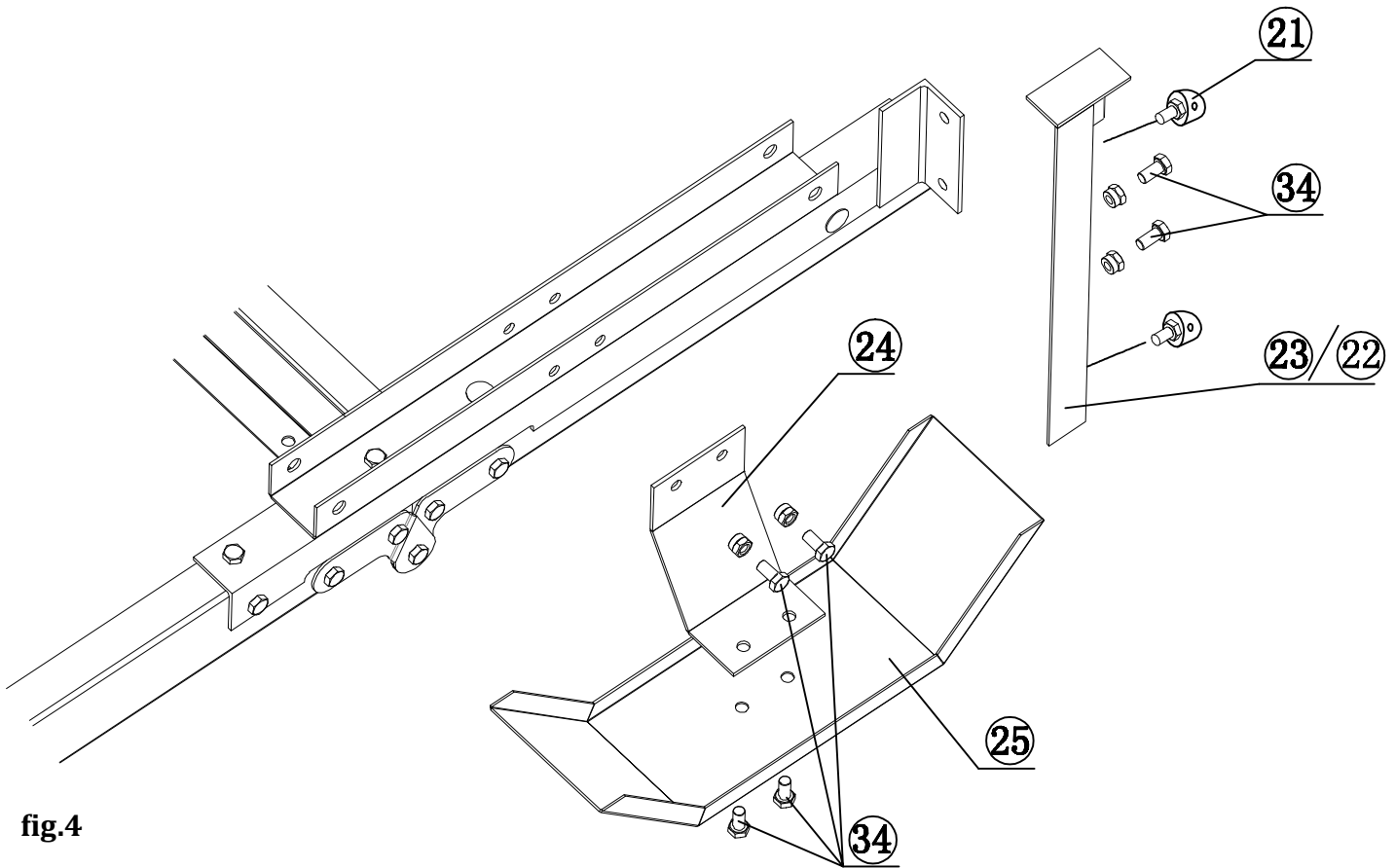
ASSEMBLY

STEP 4

FENDER KIT ASSEMBLY

1. Connect the fender bracket (24) to spring hangers (19,41) with M10 x 20 bolts and nuts (34).
2. Connect fender (25) to fender bracket with M10 x 20 (34). Note that the holes on the side of the fender edge are toward the trailer.
3. Connect left caster bracket (22) to left spring hanger (19). Connect Right caster bracket (23) to the right spring hanger(41).
4. Install the caster (21) to the caster brackets.

Item N°.	Description	Qty.
21	Caster	4
22	Left caster bracket	1
23	Right caster bracket	1
24	Fender bracket	2
25	Fender	2
34	Hex bolt M10 x 20 & nut (set)	12



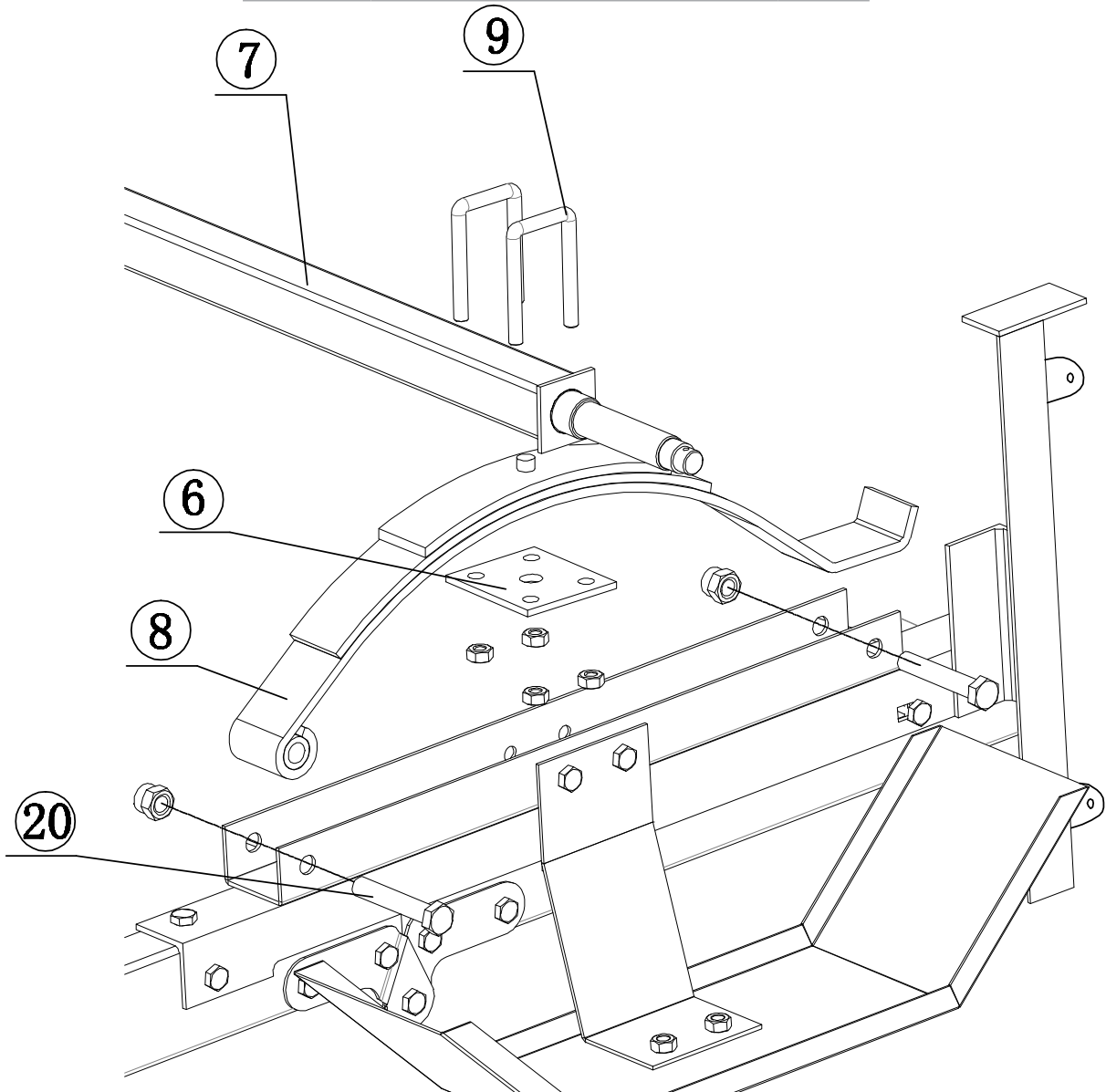
ASSEMBLY

STEP 5

SPRING AND AXLE ASSEMBLY

1. Place 3 leaf spring (8) into spring hanger with eye forward, towards the drawbar of the trailer. Install M14 x 85 (9) go through spring hanger, and spring eye and lock with M14 nyloc nut.
2. Install M14 x 85 go through spring tail and spring hangers and lock with M14 nyloc nut.
3. Place Axle (7) onto spring (8) with hole in axle over peg on spring. Fasten Axle to **each** spring with two U bolts (9), spring plate (6) and lock with four M10 nuts as shown.

Item N ^o .	Description	Qty.
6	Spring plate	2
7	Axle	1
8	3-leaf spring	2
9	U-bolt M10 x 85 & nuts (set)	4
20	Hex bolt M14 x 85 & nyloc nut (set)	4

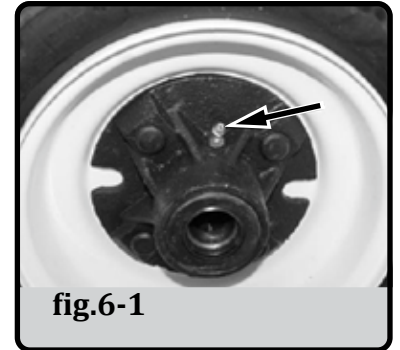


ASSEMBLY

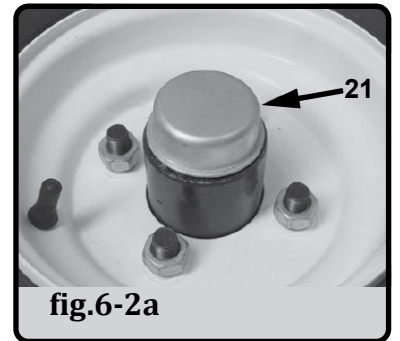
STEP 6

TIRE ASSEMBLY

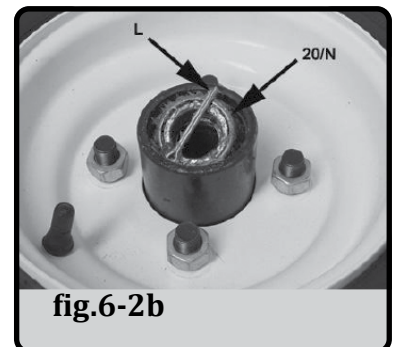
1. Locate both tire/hub assemblies. For easy access, be certain that grease fittings are facing out away from the hub as shown in figure 6-1.



2. Remove hubcap (21) using a small pry bar between the flange on the hub cap and the face of the hub (fig.6-2a).



3. Remove 4 mm cotter pin (L), bearing (20) and washer (N). See figure 6-2b.



4. Remove castle nuts (H) from axle ends.

ASSEMBLY

5. Carefully slide tire/hub assembly onto axle with lug nuts facing outward. See fig. 6-3

Item N°.	Description	Qty.
11	Bearing	2
12	Hub assembly	2
13	Tire and rim	2
14	Washer M22	2
15	Castle nut M22 x 1.5	2
16	Cotter pin	2
17	Lug nut	10
18	Dustcap	2

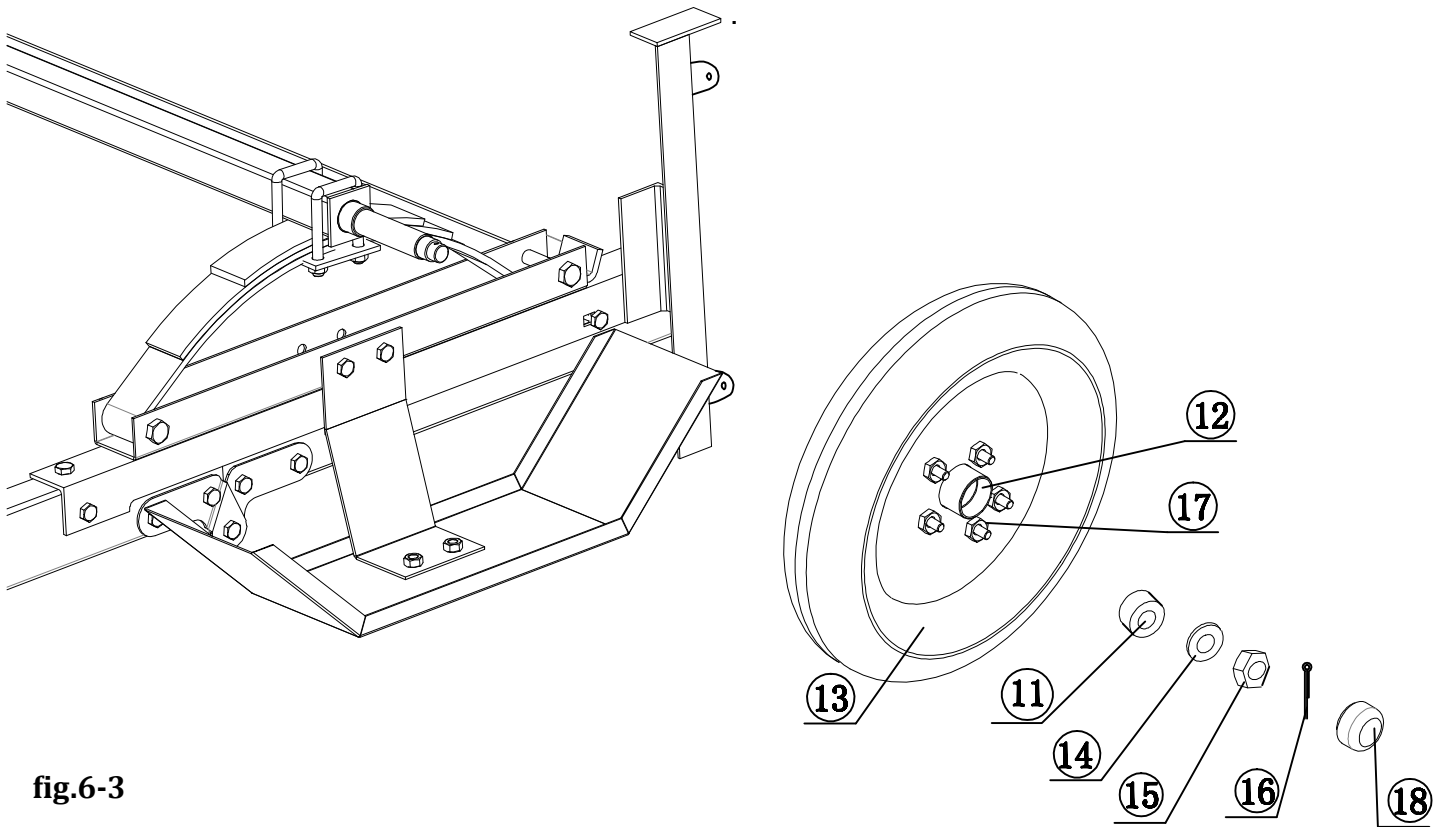


fig.6-3

6. Install outer bearing (fig.6-3, 11) with the taper facing inward toward the hub.
7. Install the washer and castle nut (fig.6-3, 14 & 15). Tighten castle nut while turning the tire/hub. Tighten castle nut until there is resistance while turning the tire/hub.
8. Install 4 mm cotter pin (fig.6-4, L) through castle nut (fig.6-4, H) and hole in axle end. If holes are not aligned, slightly loosen castle nut -no more than one castellation- to align holes.
9. Spread cotter pin (L) to retain castle nut. See figure 6-4.

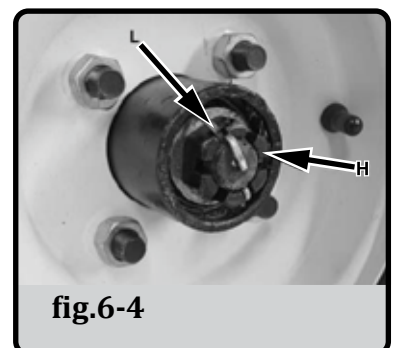
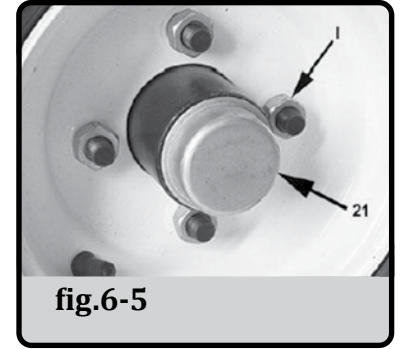


fig.6-4

ASSEMBLY

10. Pump approximately 8-10 pumps of a hand grease gun into hub.
11. Install hub dustcap (fig.6-5, 21) firmly on hub with rubber mallet.
12. Repeat steps 2-11 for the other tire/hub.
13. While the trailer is still upside down on the ground, move to installing the wiring.



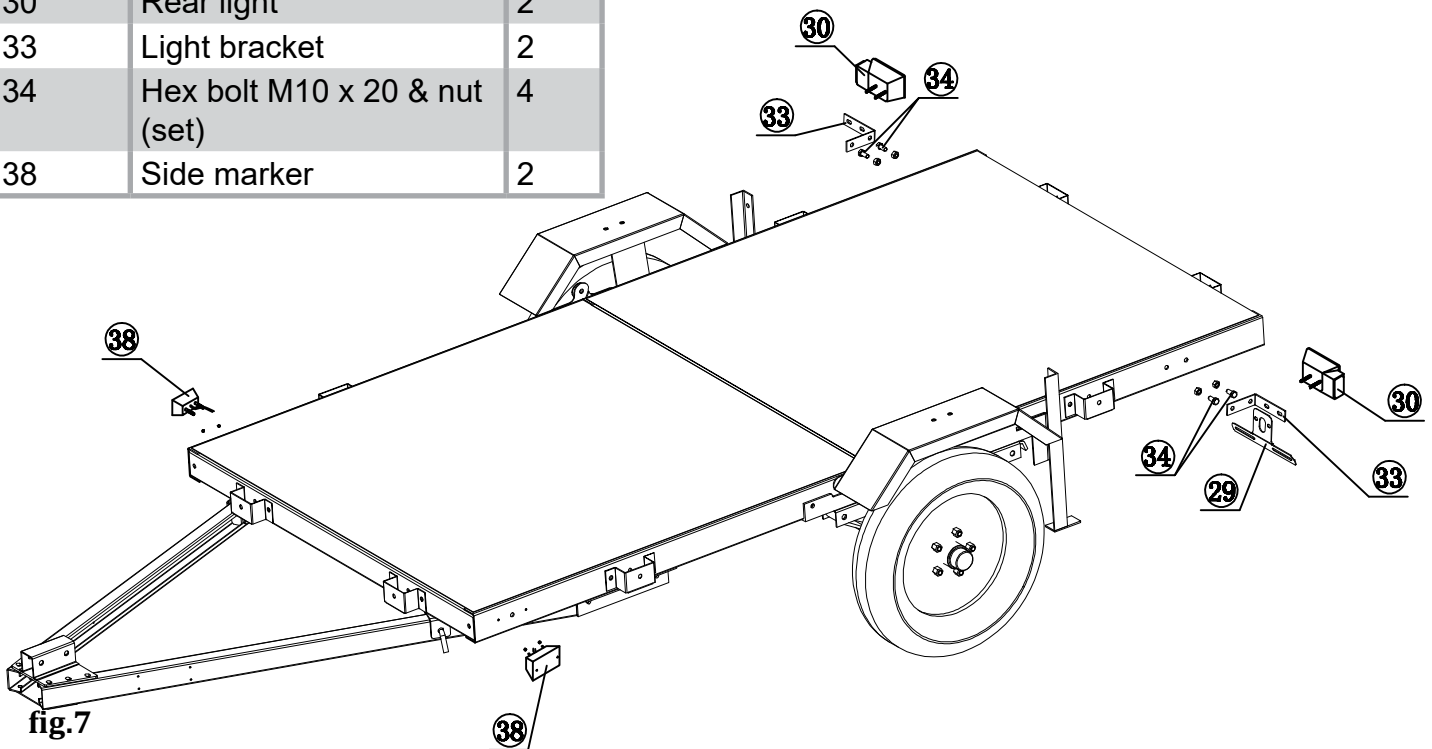
STEP 7

LIGHTING KIT INSTALLATION

1. Attach the Light Brackets (33) to the Rear Left Side Rail and Rear Right Side Rail by using four sets of M10 x 20 Bolts and M10 Nuts (44).
2. Attach the License Plate Bracket (29) with the Left Tail Light (30L) to the Light Bracket on the Rear Left Side Rail, using M10 Nuts.
3. Attach the Right Tail Light (30R) to the Light Bracket on the Rear Right Side Rail, using M10 Nuts.
4. Attach the Side Running Light to the Front Left Side Rail, using 4 mm Self-Tapping Screws from the light package.

NOTE: The trailer should be, at this point, upside down. Fig.7 shows the position of the lighting components on a right-side up trailer for clarity.

Item N°	Description	Qty.
29	Licence holder	1
30	Rear light	2
33	Light bracket	2
34	Hex bolt M10 x 20 & nut (set)	4
38	Side marker	2



ASSEMBLY

STEP 8

WIRING THE TRAILER

NOTE: Only a qualified technician should perform the electrical service that may be needed to enable your particular make/model vehicle to power the Trailer's 12 volt DC lighting system. This is beyond the scope of this manual.

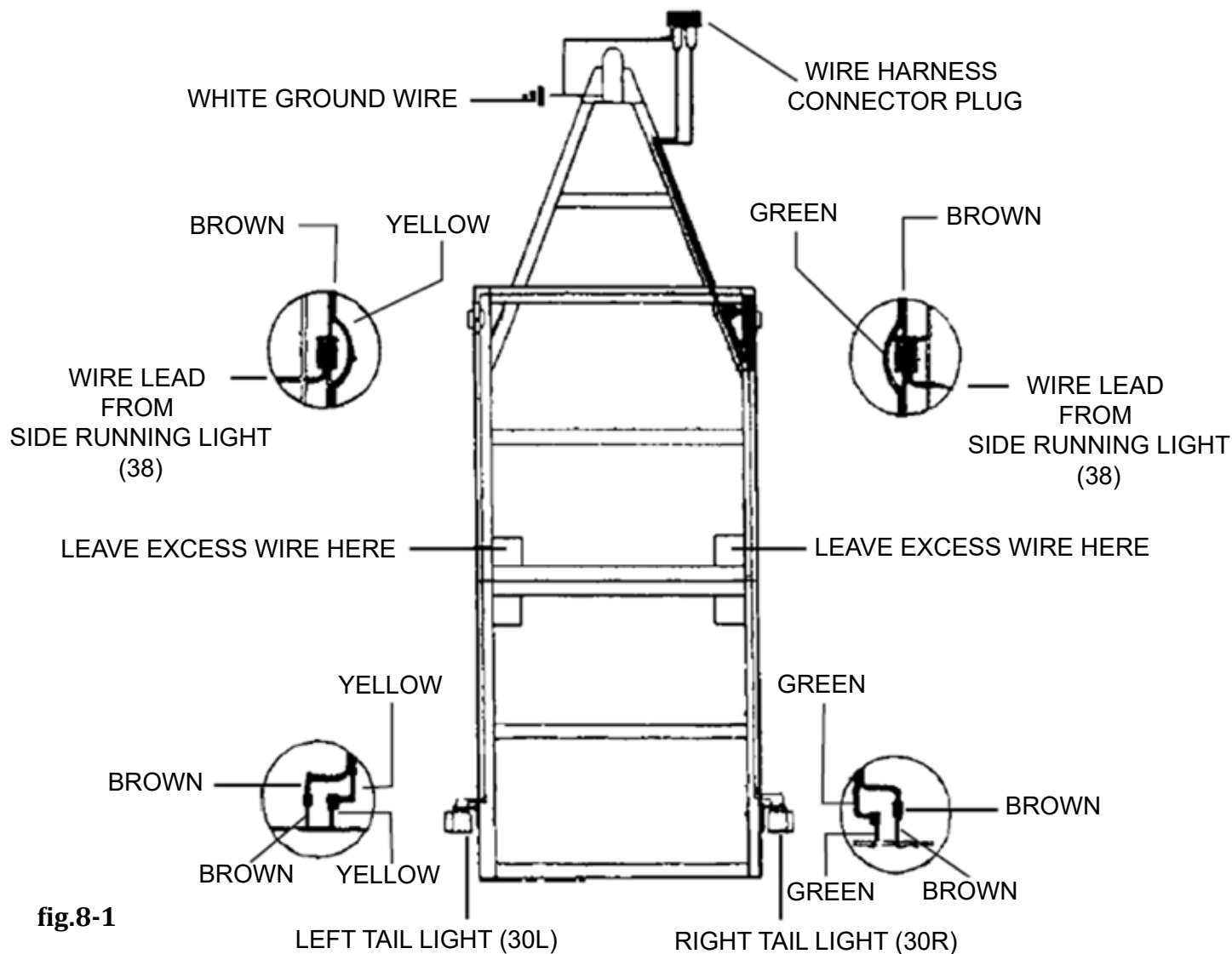
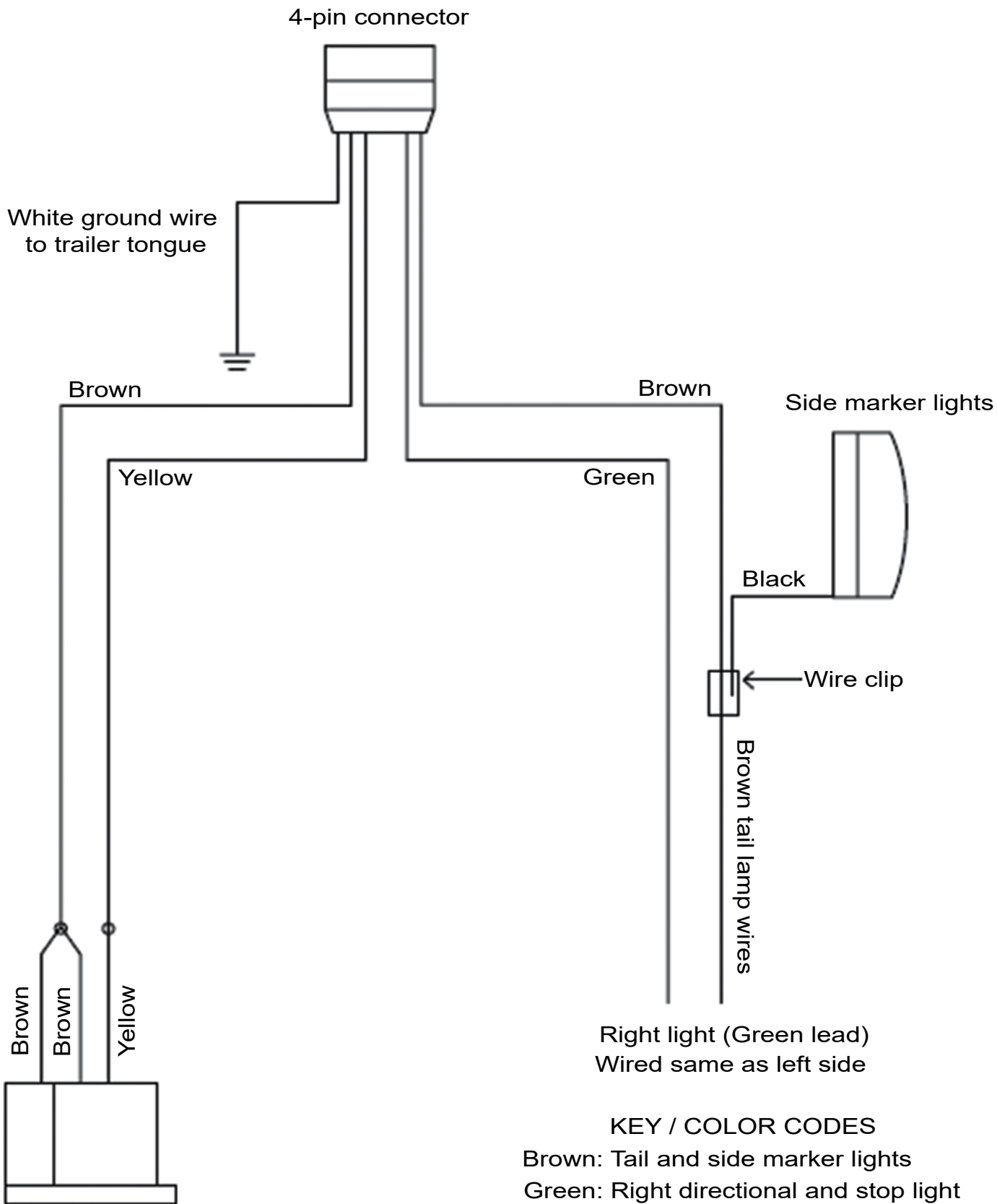


fig.8-1

1. Have a qualified service technician install a 4-wire, 12 VDC connector in the trunk area of your vehicle.
2. Locate the vehicle's connector plug near the Trailer's Coupler (2) and lay out the Trailer's wiring harness wires.

NOTE: fig.8-1 and 8-2 show the trailer right side up. Keep in mind, the trailer is actually upside down at this point to make wiring installation easier, so the left and right sides appear reversed.

ASSEMBLY



Left light (Yellow lead)
fig.8-2

Right light (Green lead)
Wired same as left side

KEY / COLOR CODES

- Brown: Tail and side marker lights
- Green: Right directional and stop light
- Yellow: Left directional and stop light
- White: Ground to trailer frame
- O Indicates wire nut connection

ASSEMBLY

3. Connect the brown wire to the vehicle's left tail light by stripping, wrapping, and taping the connector plug.
4. Connect the yellow wire to the vehicle's left signal and stop light wire.
5. Connect the green wire to the vehicle's right signal and stop light wire.
6. Attach the white ground wire at the plug end of the wiring harness to the small mounting hole in the Tow Bar (5) with a 1/4" (6 mm) tapping screw (not included).
See J, fig.8-3.



7. Run the yellow/brown wires along the inside of the Front Cross Member (39) to the Side Running Light (38) on the Front Left Side Rail (26).
8. Run the green/brown wires along the inside of the Front Right Side Rail to the other Side Running Light.
9. Connect the wire lead from the two Side Running Lights to the brown wire on each side of the trailer, using wire connectors. Then insert wire clips along the entire length of the side rails of the Trailer to hold down the wiring harness.
10. Run the yellow/brown wires to the Left Tail Light (30L), leaving some excess wire where the frame folds.
11. Strip approximately 3/4" (19 mm) of insulation off the ends of the wires.
12. Connect the yellow wire to the yellow wire of the Left Tail Light.
13. Connect the brown wire to the brown wire of the Left Tail Light.
14. Run the green/brown wires to the Right Tail Light (30R), leaving some excess wire where the frame folds.
15. Strip approximately 3/4" (19 mm) of insulation off the ends of the wires.
16. Connect the green wire to the green wire of the Right Tail Light.
17. Connect the brown wire to the brown wire of the Right Tail Light.

NOTE: Use dielectric grease on each connector for corrosion prevention

18. Turn over the whole trailer assembly so the tires touch the ground.
-

CAUTION! Make sure you get the assistance of 1 or 2 additional people. Do not try this on your own.

19. Even though the wheels were already mounted to the hubs, you **must** tighten all the lug nuts (I) to 85-90 lb/ft of torque.

ASSEMBLY

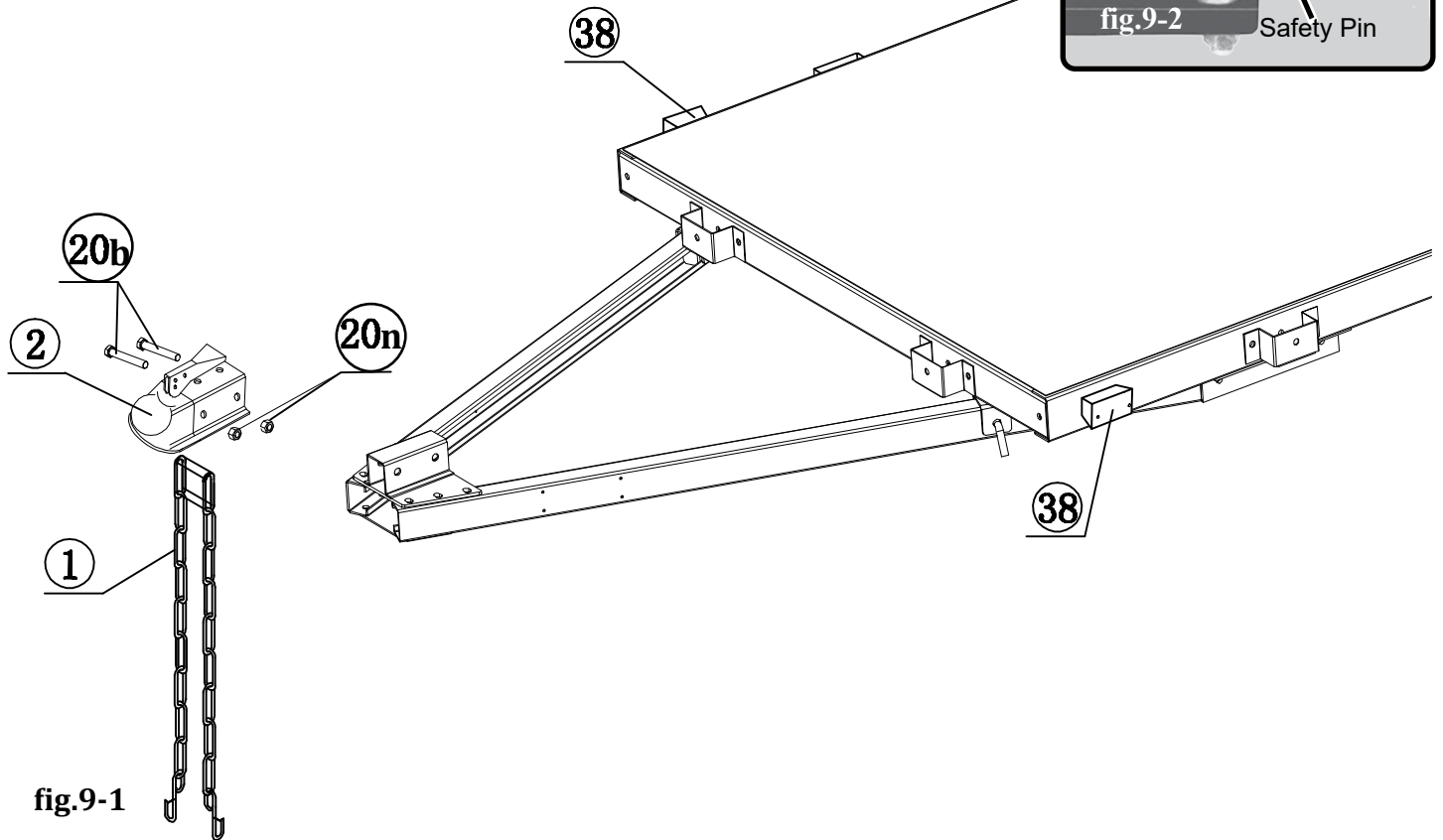
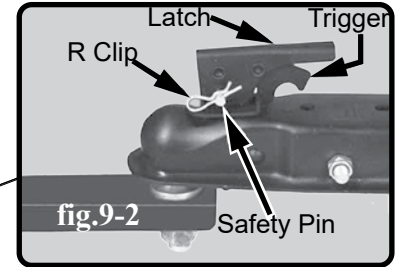
STEP 9

ATTACHING THE COUPLER

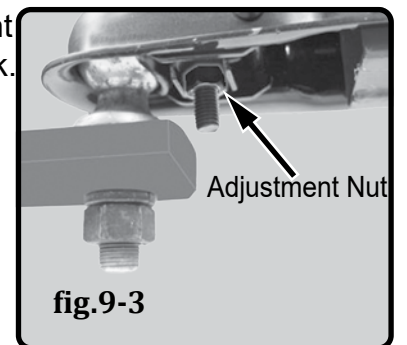
1. Attach the Coupler (2) to the Coupler Base (4), using two sets of M12 x 75 bolts (20b) and M12 nuts (20n). When installing the front bolt, thread it through the center link of the Safety Chain (1) to secure the Chain to the Coupler.

Item N°.	Description	Qty.
1	Safety chain	1
2	2 inch coupler	1
20	Hex bolt M12 x 80 & nut (set)	2

in and R-Clip.



3. Pull up and down on the coupler to see if the coupler is fitting snug on the ball. There must not be play between the ball and coupler. If there is play, tighten the adjustment nut until no play is present. If the nut is too tight, the handle will not lock.



ASSEMBLY

WARNING! *Risk of trailer uncoupling.*

- *The coupler provided with your trailer requires a 2 inch hitch ball.*
- *Use only a 2 inch hitch ball on the tow vehicle towing this trailer*

NOTE: *To reduce friction between the ball hitch and coupler, apply a layer of multipurpose lithium grease over ball hitch. Wipe off excess grease when not in use to avoid staining clothes.*

Assembly is complete

SAFE USE AND OPERATION RULES

TOWING VEHICLE

- Make sure vehicle is capable of towing the load.
- Excess speed is the second most important cause of car-trailer accidents. Recommended maximum speed for all passenger cars towing trailers is 45 mph (72 km/h).

HITCH, BALL, COUPLER

- Check that the hitch on the towing vehicle is capable of towing the trailer. The capability of the hitch is normally stamped on the hitch bar and the capacity of the ball is stamped on the ball.
- Make sure the coupler and the ball the same size and are rated equal to or greater than the load.
- Never attach anything other than the proper size coupler to the ball for towing.

SAFETY CHAINS

- Always cross the chains under the coupler and connect the safety chains to the tow vehicle frame.
- Check that safety chains are attached to towing vehicle with the same length for each side.
- Do not allow chains to drag on ground.

LOADING

- Never overload trailer. Maximum load is 1450 pounds (657.7 kg).
- Load trailer evenly from side to side with 60% of the load forward of the axle. It is important that the tongue be pressing down on the hitch, but not exceeding a downward force of 90 pounds (40.8 kg).
- Reduce weight in car trunk and rear seat areas by amount of tongue weight of your trailer.
- It is unsafe and also against the law to carry passengers on or in any trailer.
- Always lock tail gate in the travel position before towing trailer.

LIGHTING

- Check all lights before each use and every 100 miles (160 km). REPAIR OR REPLACE ANY BROKEN LENSES, BULBS OR REFLECTORS.
- Check wires for good connections and possible fraying or wearing of insulation.
- Bulbs supplied with this trailer are for 12 volt system.
- Bulbs used in tail lights are: Number -1157-Stop/Turn and Tail.
- Bulbs for running lights are: Number -1895.

SAFE USE AND OPERATION RULES

WHEELS AND TIRES

- Check tire for wear, damage and proper inflation before each use and every 100 miles (160 km).
- Tire pressure should be kept at 80 PSI (552 kPa).
- Check and tighten lug nuts. Tighten to *85-90 ft-lb. (115.24 - 122.02 Nm)* of torque.
- **Retighten after first 25, 50 and 100 miles (40, 80, 160 km) and before towing each time thereafter.**

OPERATION

- Know how to properly control your towing vehicle-trailer combination on the highway under all conditions. It is important to remember that the loaded weight of the trailer will increase your braking and stopping distances appreciably.
- When towing a trailer over long distances, stop and check tightness of all connections, lights and running gear every 100 miles.
- Carry emergency flares, and fire extinguisher if required for operation in your state.
- It is desirable to carry extra bulbs and fuses if you are towing the trailer at night.

FOLDING THE TRAILER

WARNING! *Make sure your trailer is in a safe flat location and chock both tires before folding or unfolding.*

Step 1

Remove the two sets of nuts and bolts that secure the trailer bed halves together

Step 2

Remove the four sets of nuts and carriage bolts from the left and right spring hangers.

Step 3

Fold the rear section of the trailer over top of the front section.

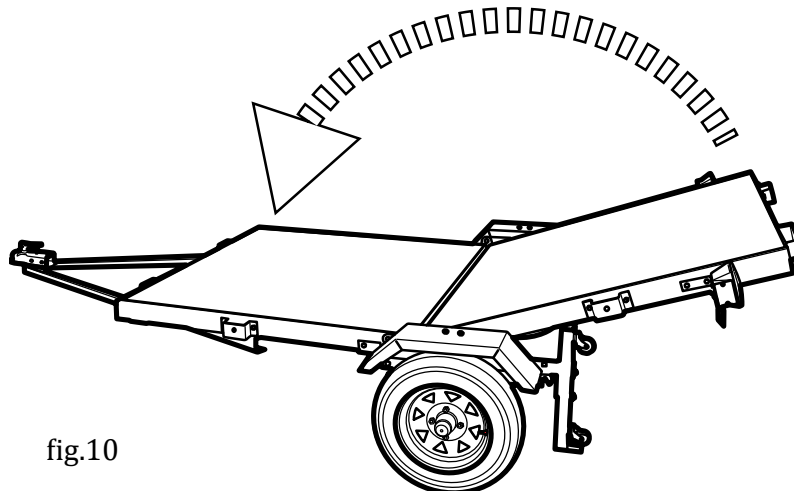


fig.10

Make sure you get the assistance of 1 or 2 additional people.

SAFE USE AND OPERATION RULES

Step 4

Secure the sections together using a bungee or rope. Make sure the trailer cannot open up while tipping onto castors for storage.

Step 5

Remove the wheel chocks from the trailer tires and tilt the trailer onto its casters (fig.11).

Make sure you get the assistance of 1 or 2 additional people. Do not try this on your own.

Step 6

Be careful when transporting trailer on caster wheels. The trailer can tip if you aren't careful balancing the weight.

Make sure you get the assistance of 1 or 2 additional people.

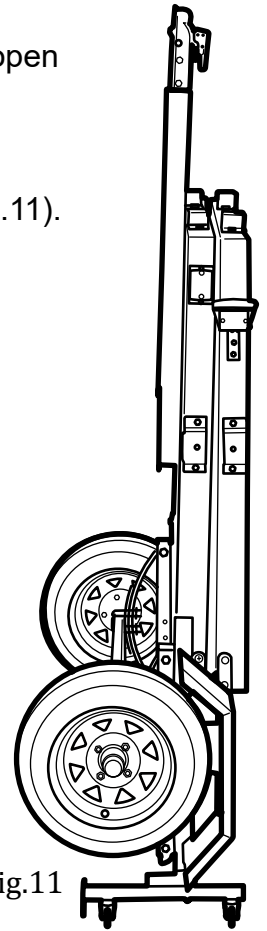
Step 7

The trailer is now ready to store against a wall. It is recommended you secure the trailer to avoid any movement while stored.

MAINTENANCE

- Check and maintain the trailer, coupler, ball and hitch before each use and every 200 miles (322 km).
- Inspect coupler, hitch and ball for damage before each use.
- Ball or hitch can be damaged in parking, hitting curbs, dragging when crossing ditches or railroad tracks.
- Check safety chains and hooks for wear and do not allow safety chains to drag on ground.
- To prevent bearing damage, disassemble and repack wheel bearing with a good grade of wheel bearing grease every 2000-3000 miles (3200 - 4800 km) or yearly.
- If you do not know how to repack wheel bearing, take your trailer to a qualified technician.

fig.11



IMPORTANT: *The purpose of the following notices is to give you tips on safe use and operation of your utility trailer.*

1. **PLEASE READ** the instructions carefully and follow them step-by-step for easy assembly. Please keep this instruction.
2. **PLEASE DOUBLE CHECK THE ASSEMBLY** step-by-step to be sure each is followed.
3. **BEFORE USING, PLEASE INSPECT** your trailer.
4. **DO NOT REMOVE THE VIN STICKER** from the tow bar.

NOTICE:

- *Re-pack wheel bearings after every 3000 miles (4800 km) of use.*
- *Keep tire pressure at 80 PSI (552 kPa) with tires at ambient temperature.*
- *Please insure you comply with the following before using your trailer.*
 1. Tighten U-bolts
 2. Tighten wheel lug nuts.
 3. Coupler is secured to the ball and is properly adjusted.
 4. Cross and connect safety chains.
 5. Trailer load must not exceed its 1450 lb. (657.7 kg) capacity and must be properly secured.
 6. Trailer load size must not exceed trailers bed board size.

CANADIAN TRAILER LICENSING NOTICE

Some provinces may consider that this trailer is specially constructed or a homemade vehicle for registration, licensing and/or titling purposes.

When licensing your trailer, you will need the signed NVIS form, a purchase invoice, cash register receipt, or bill of sale showing the purchase and retail sales tax collected by the seller.

Take these to your local Provincial Ministry of Transportation Office and upon payment of the appropriate fees, you will be issued a title, registration, and license plate (if required). Some provinces will require inspection of the assembled and finished trailer kit before issuing a title registration/license.

If you require additional information or guidance on licensing or titling, please consult your Provincial Department of Motor Vehicles.

U.S.A TRAILER LICENSING NOTICE

Some states may consider that this trailer kit is specially constructed or a homemade vehicle for registration, licensing and/or titling purposes.

When licensing your trailer, you may need the signed M.C.O., a purchase invoice, cash register receipt, or bill of sale showing the purchase and retail sales tax or use tax collection by the seller. Take these to your local Department of Motor Vehicles and upon payment of the appropriate State fees, you will be issued a title, registration and license plate (if required). Some states will require inspection of the assembled and finished trailer kit before issuing a title registration/license.

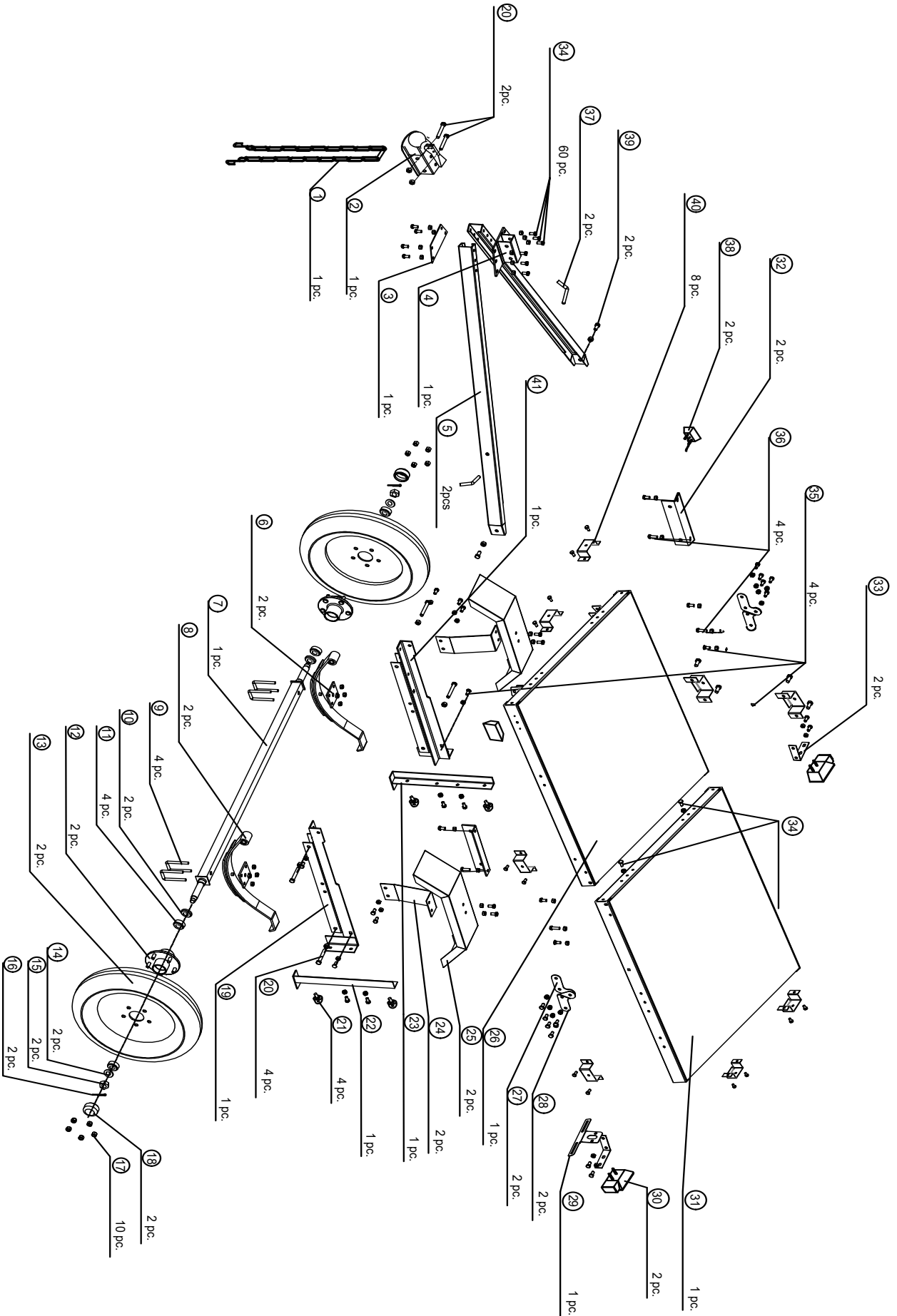
If you require additional information or guidance on licensing or titling, please consult your State Department of Motor Vehicles.

PARTS LIST

Item N°.	Description	Qty.
1	Safety chain	1
2	2" coupler	1
3	Towbar T-plate	1
4	Coupler base	1
5	Tow bar	2
6	Axle fish plate	2
7	Axle	1
8	3-leaf spring	2
9	U-bolt M10 x 85	4
10	Grease seal	2
11	Bearing 30205	4
12	Hub assy.	2
13	5.3-12" tire and wheel	2
14	Flat washer	2
15	Castle nut	2
16	Lug nuts	10
17	Cotter pin	2
18	Dustcap	2
19	Left spring hanger	1
20	Hex bolt M12 x 80 8.8G	6

Item N°.	Description	Qty.
21	2" caster	4
22	Left caster bracket	1
23	Right caster bracket	1
24	Fender bracket	2
25	Fender	2
26	Front bed	1
27	Inside hinge	2
28	Outer hinge	2
29	License plate bracket	1
30	Tail light	2
31	Rear bed	1
32	Tow bar connect hanger	2
33	Light holder	2
34	Bolt M10 x 20 8.8G	60
35	Carriage bolt M10 x 25 8.8G	4
36	Bolt M10 x 30 8.8G	4
37	Hitch pin Ø12 x 75 w/ R clip	2
38	Side marker	2
39	Bolt M12 x 25 8.8G	1
40	Stake pocket	8
41	Right spring hanger	1

SCHEMATIC DIAGRAM



This page intentionally left empty.



Remorque pliante galvanisée
de 4 x 8 pi. Manuel du
propriétaire

Model MFT4X8G

8 pi (244 cm)
Remorque
pliante

DETAIL K2 INC.

5330 Mainway,
Burlington, ON L7L6A4
1-888-277-6960



STOP!

Questions, problems, missing parts? Do not return to your retailer.

Please call our customer service department at: 1(888) 277-6960. Our customer service staff are ready to provide assistance. If a part is damaged or missing, replacement parts can be shipped from our facility. For immediate help with assembly, or for additional product information, call our North American toll-free number: 1(888) 277-6960.

Save this manual

You will need this manual for safety instructions, operating procedures, and warranty.

Put it and the original sales invoice in a safe, dry place for future reference.

ARRÊTEZ!

Vous avez des questions, des problèmes, ou des pièces manquent? Ne retournez pas chez votre détaillant.

Veuillez appeler notre service à la clientèle au: 1-888-277-6960. Notre personnel du service à la clientèle est prêt à vous fournir une assistance.

Si une pièce est endommagée ou manquante, une pièce de remplacement peut vous être expédiée rapidement de nos installations. Pour une aide immédiate à l'assemblage ou pour plus d'informations sur le produit, veuillez communiquer avec notre numéro sans frais 1-888-277-6960.

Conservez ce manuel

Ce manuel vous offre des instructions sur la sécurité, des procédures opérationnelles et votre garantie.

Gardez-le ainsi que votre facture originale dans un endroit sec et sécurisé pour référence future.

AVERTISSEMENT! Lisez attentivement et comprenez toutes les INSTRUCTIONS avant de l'utiliser. Le non-respect des règles de sécurité et des autres précautions de sécurité de base peut entraîner des blessures graves.

Merci beaucoup d'avoir choisi un produit DK2! Pour plus d'informations, veuillez compléter les dossiers du propriétaire ci-dessous :

Modèle : _____ Date d'achat : _____

Conservez le reçu, la garantie et ces instructions. Il est important que vous lisiez l'intégralité du manuel pour vous familiariser avec ce produit avant de commencer à l'utiliser.

Cette remorque est conçue pour certaines applications uniquement. Le distributeur ou détaillant ne peut être tenu responsable des problèmes résultant d'une modification. Nous recommandons fortement que cette remorque ne soit pas modifiée et/ou utilisée pour une application autre que celle pour laquelle elle a été conçue. Si vous avez des questions concernant une application particulière, N'UTILISEZ PAS la remorque avant d'avoir contacté le distributeur pour déterminer si elle peut ou doit être effectuée sur le.

TABLE DE MATIÈRES

Sécuritaires importantes.....	3
Avertissements généraux.....	4
Avertissements spécifique aux opérations.....	4
Déballage.....	5
Spécifications techniques.....	6
Instructions de montage.....	6
Montage du lit.....	7
Assemblage de la barre de traction: timon.....	8
Assemblage du support de ressort.....	9
Ensemble de garde-boue.....	10
Ensemble ressort et essieu.....	11
Assemblage des pneus.....	12
Installation des ensembles de lumière.....	14
Câblage de la remorque.....	15
Fixer le coupleur.....	18
Règles d'utilisation et de fonctionnement sécuritaires.....	20
Véhicule de remorquage.....	20
Attelage, boule, coupleur.....	20
Chaînes de sécurité.....	20
Chargement.....	20
Éclairage.....	20
Jantes et pneus.....	21
Fonctionnement.....	21
Pliage de la remorque.....	21
Règles d'utilisation et de fonctionnement sécuritaires.....	21
Entretien.....	22
Règles d'utilisation et de fonctionnement sécuritaires.....	22
Avis de licence de remorque canadienne.....	23
Avis de licence de remorque aux états-unis.....	23
Liste de pièces.....	24
Schema.....	25

SÉCURITAIRES IMPORTANTES

IMPORTANT : *Lisez attentivement les règles et les consignes de sécurité avant de fonctionner de cet équipement. Lisez et suivez attentivement les instructions. Garder le manuel du propriétaire pour référence future ou informations sur les pièces. Assurez-vous que tout futur propriétaire de cette remorque est au courant attachement et de son utilisation correcte.*

ATTENTION : *AVANT TOUT Lisez attentivement ce manuel avant d'opérer votre chasse-neige. Nous vous recommandons de lire entièrement ce manuel de sorte que vous soyez pleinement conscient de toutes les recommandations de sécurité importantes. Enregistrez votre numéro de série*

DANGER : *Cet équipement a été construit pour être exploité selon des règles sécuritaires tel qu'indiqué dans ce manuel. Comme avec tout type d'équipement la négligence ou une erreur de la part de l'opérateur peut entraîner des blessures graves.*

- Pour utiliser cet équipement correctement, vous devez respecter les règles de sécurité, les instructions d'assemblage et les instructions de fonctionnement qui se trouvent dans ce manuel.
- Toutes les personnes qui utilisent et qui font le service du chasse-neige doivent être informés de son danger potentiel et doivent se familiariser avec ce manuel.

AVERTISSEMENT IMPORTANT : *Il est essentiel que votre remorque DK2 soit correctement fixée au véhicule.*

- *Une fixation incorrecte peut entraîner un accident de la route, entraînant des lésions corporelles graves, des blessures, ou la mort pour vous ou pour les autres.*
- *La sécurisation des remorques et des accessoires de votre véhicule est votre responsabilité légale. Vérifiez la remorque avant l'utilisation et inspectez périodiquement ses composantes afin de vérifier leur ajustement, leur usure et leurs dommages.*
- *Vous devez lire et comprendre toutes les instructions et mises en garde avant d'installer ou d'utiliser la remorque.*
- *Si vous ne comprenez pas toutes les instructions et mises en garde, ou si votre expérience en mécanique vous empêche de les suivre, faites installer la remorque par un professionnel.*

AVERTISSEMENT : *vous êtes responsable de vous assurer que la remorque se fixe en toute sécurité au véhicule.*

- *Cette remorque est conçue pour une utilisation sur les voitures particulières, les camions et les VUS qui ont l'attelage de remorque et la capacité de poids.*
- *Une utilisation et une fixation inappropriées de la remorque au véhicule peuvent endommager la cargaison, la remorque et/ou votre véhicule. Il peut également infliger des dommages à d'autres véhicules derrière et ailleurs sur la route avec vous.*
- Ne faites pas passer la remorque dans un lave-auto automatique.

AVERTISSEMENTS GÉNÉRAUX

AVERTISSEMENT : *Lisez et comprenez toutes les instructions. Le non-respect de toutes les instructions énumérées ci-dessous peut entraîner un choc électrique, un incendie et/ou des blessures graves.*

AVERTISSEMENT : *les avertissements, mises en garde et instructions décrites dans ce manuel d'instructions ne peuvent pas couvrir toutes les conditions ou situations possibles qui pourraient survenir. L'opérateur doit comprendre que le bon sens et la prudence sont des facteurs qui ne peuvent pas être intégrés à ce produit, mais doivent être fournis par l'opérateur..*

1. **GARDEZ LA ZONE DE TRAVAIL PROPRE ET SEC.** Les zones de travail humides ou mouillées peuvent entraîner des blessures.
2. **ÉLOIGNEZ LES ENFANTS DE LA ZONE DE TRAVAIL.** Ne laissez pas les enfants manipuler ce produit.
3. **PORTEZ TOUJOURS DES LUNETTES DE SÉCURITÉ APPROUVÉES PAR L'ANSI ET DES GANTS DE TRAVAIL RÉSISTANTS PENDANT L'ASSEMBLAGE ET L'UTILISATION.** Ne portez pas de vêtements amples ou de bijoux qui pourraient se prendre dans les pièces mobiles.
4. **LISEZ ATTENTIVEMENT LE MANUEL DU PROPRIÉTAIRE.** Apprenez à connaître votre remorque et familiarisez-vous avec ses applications et limitations.
5. **UTILISEZ LA REMORQUE SELON LES DIRECTIVES DE CE MANUEL.** Ne l'abusez pas et ne le forcez pas à faire un travail pour lequel il n'a pas été conçu.
6. **UTILISEZ UNIQUEMENT DES PIÈCES ET DES ACCESSOIRES D'ÉQUIPEMENT D'ORIGINE.** Consultez le manuel du propriétaire. L'utilisation d'accessoires incorrects peut entraîner des dangers imprévus.
7. **REMISER LA REMORQUE.** Lorsqu'ils ne sont pas utilisés, les outils et la remorque doivent être remisés dans un endroit sec pour contrer la rouille. Verrouillez toujours la remorque et gardez-la hors de la portée des enfants.
8. **UTILISEZ LE BON OUTIL POUR LE TRAVAIL.** N'essayez pas de forcer un petit équipement à faire le travail d'un équipement industriel plus gros. Il existe certaines applications pour lesquelles cet équipement a été conçu. Il fera mieux le travail et en toute sécurité à la capacité à laquelle il était destiné. Ne modifiez pas cela et n'utilisez pas cet équipement dans un but pour lequel il n'a pas été conçu.
9. **VÉRIFIEZ LES PIÈCES ENDOMMAGÉES.** Avant d'utiliser ce produit, vérifiez soigneusement qu'il fonctionnera correctement et remplira sa fonction prévue. Vérifiez les pièces endommagées et toute autre condition pouvant affecter le fonctionnement de ce produit. Remplacez immédiatement les pièces endommagées ou usées
10. **NE VOUS ÉTENDEZ PAS TROP.** Gardez une bonne assise et un bon équilibre en tout temps pour éviter de trébucher, de vous blesser au dos, etc
11. **NE PAS UTILISER CETTE REMORQUE LORSQUE VOUS ÊTES FATIGUÉ OU DISTRAIT.**
12. **LES APPLICATIONS INDUSTRIELLES DOIVENT RESPECTER LES EXIGENCES DE L'OSHA.**

AVERTISSEMENTS SPÉCIFIQUE AUX OPÉRATIONS

1. **AVANT CHAQUE UTILISATION, EXAMINEZ TOUJOURS LA REMORQUE** pour vérifier l'état des pneus (13) et la pression d'air, les feux arrière endommagés (30L, 30R), les feux de circulation latéraux endommagés (38), les boulons et écrous desserrés, les fissures structurelles, la structure tordue ou pliée et toute autre condition qui peuvent affecter son fonctionnement en toute sécurité.

AVERTISSEMENTS SPÉCIFIQUE AUX OPÉRATIONS

- N'utilisez pas la remorque si des dommages mineurs apparaissent. Réparez-les!
- 2. AVANT CHAQUE UTILISATION, ATTACHEZ TOUJOURS LES CHÂÎNES DE SÉCURITÉ (1)** de la remorque au véhicule. Assurez-vous que les chaînes de sécurité sont fixées au véhicule avec la même longueur de chaque côté. Ne laissez pas les chaînes de sécurité glisser sur le sol.
 - 3. VÉRIFIEZ TOUJOURS QUE LA CHARGE UTILE TRANSPORTÉE EST CORRECTEMENT ET EN TOUTE SÉCURITÉ FIXÉE DANS LA REMORQUE.** Chargez la remorque uniformément d'un côté à l'autre avec 60% de la charge vers l'avant de l'essieu (7).
 - 4. ASSUREZ-VOUS QUE LE VÉHICULE TRACTEUR EST CAPABLE DE REMORQUER CETTE REMORQUE ET SA CHARGE UTILE.** Assurez-vous que l'attelage du véhicule tracteur est capable de remorquer la remorque et sa charge utile. La capacité de remorquage de l'attelage est généralement gravée sur la barre d'attelage.
 - 5. ASSUREZ-VOUS QUE LE COUPLEUR D'ATTELAGE (7)** et l'attelage à boule du véhicule (non inclus) sont de taille d'accouplement égale (2 ") et ont une valeur nominale égale ou supérieure au poids de la remorque et de sa charge utile.
 - 6. NE DÉPASSEZ PAS 45 MPH** ou 72 km/h lors du remorquage de la remorque. La vitesse excessive est une cause majeure d'accidents de véhicule-remorque.
 - 7. LES FEUX ARRIÈRE DEL FOURNIS AVEC CETTE REMORQUE SONT RÉSERVÉS À UN SYSTÈME ÉLECTRIQUE DE 12 VOLTS.** N'essayez pas d'alimenter les ampoules avec un autre type ou tension électrique.
 - 8. DANS LA MESURE DU POSSIBLE, GAREZ LA REMORQUE SUR UNE SURFACE PLANE ET PAVÉE** et calez les deux pneus pour empêcher la remorque de bouger accidentellement.
 - 9. AVANT D'ESSAYER DE REPLIER LA REMORQUE,** assurez-vous qu'elle est sur une surface plane, et solide et calez les deux pneus (13).
 - 10. N'ESSAYEZ JAMAIS DE REPLIER LA REMORQUE** sans l'aide d'un ou deux personnes compétentes.
 - 11. NE PAS DÉPASSER LA CAPACITÉ DE POIDS DE 1450 LIVRES.**
 - 12. NE PERMETTEZ À PERSONNE DE MONTER DANS LA REMORQUE TRACTÉE** ou sur la remorque.
 - 13. NE TRANSPORTEZ PAS DE PASSAGERS OU DE MARCHANDISES LOURDES À L'INTÉRIEUR DU VÉHICULE REMORQUÉ.**
 - 14. LE COUPLEUR DOIT ÊTRE CORRECTEMENT FIXÉ À LA BOULE D'ATTELAGE.** Après l'assemblage et la fixation, tirez de haut en bas sur le coupleur d'attelage pour vous assurer que la boule d'attelage est bien ajustée dans le coupleur d'attelage. Si l'attelage n'est pas correctement fixé, il pourrait se détacher lorsque la remorque en mouvement, causant des dommages matériels, des blessures graves voire mortelles.
 - 15. FAITES DES VIRAGES LARGES** lorsque vous remorquez une remorque chargée, en évitant à la fois les virages serrés et les demi-tours. Un virage trop brusque peut endommager la remorque et/ou le véhicule tracteur.

DÉBALLAGE

- Lors du déballage, vérifiez que toutes les pièces indiquées sur la liste des pièces sont incluses.
- Si des pièces sont manquantes ou cassées, veuillez nous contacter.

SPÉCIFICATIONS TECHNIQUES

Pneus	5,30-12 sans chambre à air
Écrous de roue	5 par roue, couple de 85 à 90 pi-lb (115,24 - 122,02 Nm)
Pression de pneu	80 lb/po ² (552 kPa) à froid
Dimensions de la plate forme	4 pi x 8 pi (1,22 m x 2,44 m)
Taille de boule / coupleur	2 pouces (≈ 50 mm)
Capacité de coupleur	Class II; 3500 lb (1587,5 kg) charge brute maximale
Capacité de charge	1450 lb (657,7 kg)
Poids net	262 lb (118,8 kg)
GAWR	1980 lb (898,1 kg) avec des pneus de 5,30-12 à 80 lb/po ² (552 kPa) à froid
PNBV	1720 lb (780,2 kg)

INSTRUCTIONS DE MONTAGE

Lisez les instructions suivantes étape par étape pour un assemblage facile selon la liste complète des pièces et du matériel.

Le temps de montage moyen est de 1 heure.

Vous aurez besoin des outils suivants pour assembler votre remorque.

Clé ou douille de 16 mm

Clé ou douille de 17 mm

Clé ou douille de 18 mm

Clé ou douille de 19 mm

Clé ou douille de 20 mm

Clé ou douille de 21 mm

Pinces

Tournevis Phillips

Maillet en caoutchouc

REMARQUE :

- *Les pièces de la remorque sont décrites en se tenant à l'arrière de la remorque en regardant vers l'attelage. Les pièces du châssis de la remorque sont étiquetées.*
- *Ne serrez pas les écrous et les boulons tant que la remorque entière n'est pas assemblée. L'installation du tablier en contreplaqué, que vous devez fournir, est la dernière étape après avoir serré tous les écrous et boulons.*
- *Vérifiez périodiquement que tous les écrous et boulons soient resserrés.*
- *Serrez les écrous de roue à 85-90 lb-pi (115,24 - 122,02 Nm) de couple après assemblage de la remorque, après les 20, 50 et 100 premiers milles (30, 80, and 160 kilomètres) de conduite et avant chaque remorquage par la suite.*

INSTRUCTIONS DE MONTAGE

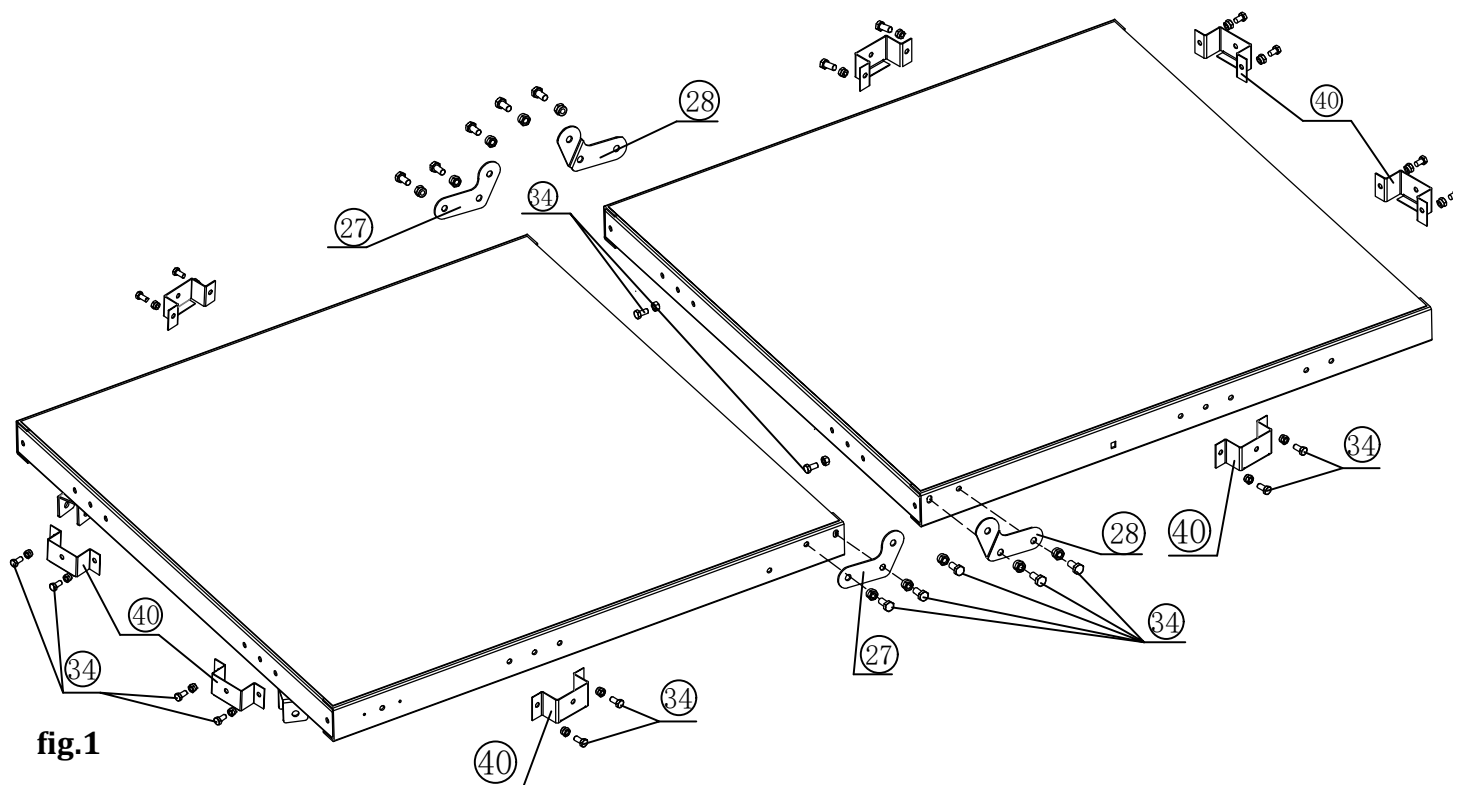
ÉTAPE 1

MONTAGE DU LIT

Posez le lit avant (26) et le lit arrière (21) comme illustré. Notez l'emplacement des trous des feux de position dans les rails latéraux avant. Voir fig.1

1. Utilisez M10 x 20 (34) pour monter les 8 pièces de poches de piquet (40) sur la remorque, comme illustré.
2. Utilisez M10 x 20 (34) pour monter la charnière intérieure (27) sur le lit avant (26) et la charnière extérieure (28) sur le lit arrière (31).
3. Connectez les deux lits avec M10 x 20 (34)...

N° de pièce	Description	Qté.
34	Boulons & écrous hex M10 x 2 (ens.)	28
40	Support de panneau	8
28	Charnière extérieure	2 </td
27	Charnière intérieure	2



INSTRUCTIONS DE MONTAGE

ÉTAPE 2

ASSEMBLAGE DE LA BARRE DE TRACTION: TIMON

1. Retournez les planchers avant et arrière, de sorte qu'ils soient à l'envers.
2. Positionner le timon (5L, 5R) sur le plateau avant de la remorque (26), placer les barres dans les fentes en U sur la traverse avant.
3. Utilisez ensuite le loquet en L (37) pour traverser le support en U et verrouillez-le avec le clip en R après.
4. Utilisez les M10 x 30 (36), M12 x 25 (39) pour connecter l'extrémité du timon aux rails latéraux de la remorque. Ne serrez pas les boulons avant que tous les boulons ne soient en position..
5. Connexion de la plaque en T du timon (3), de la base du coupleur du timon (4) comme illustré avec les M10 x 20 (34).

N° de pièce	Description	Qté.
3	Plaque en T du timon	1
4	Base de coupleur	1
5	Timon	2
34	Boulons & écrous hex M10 x 20 (ens.)	12

N° de pièce	Description	Qté.
36	Boulons & écrous hex M10 x 30 (ens.)	2
37	Loquet Ø12 x 75 & goupille en R (ens.)	2
39	Boulons & écrous hex M12 x 25 (ens.)	2

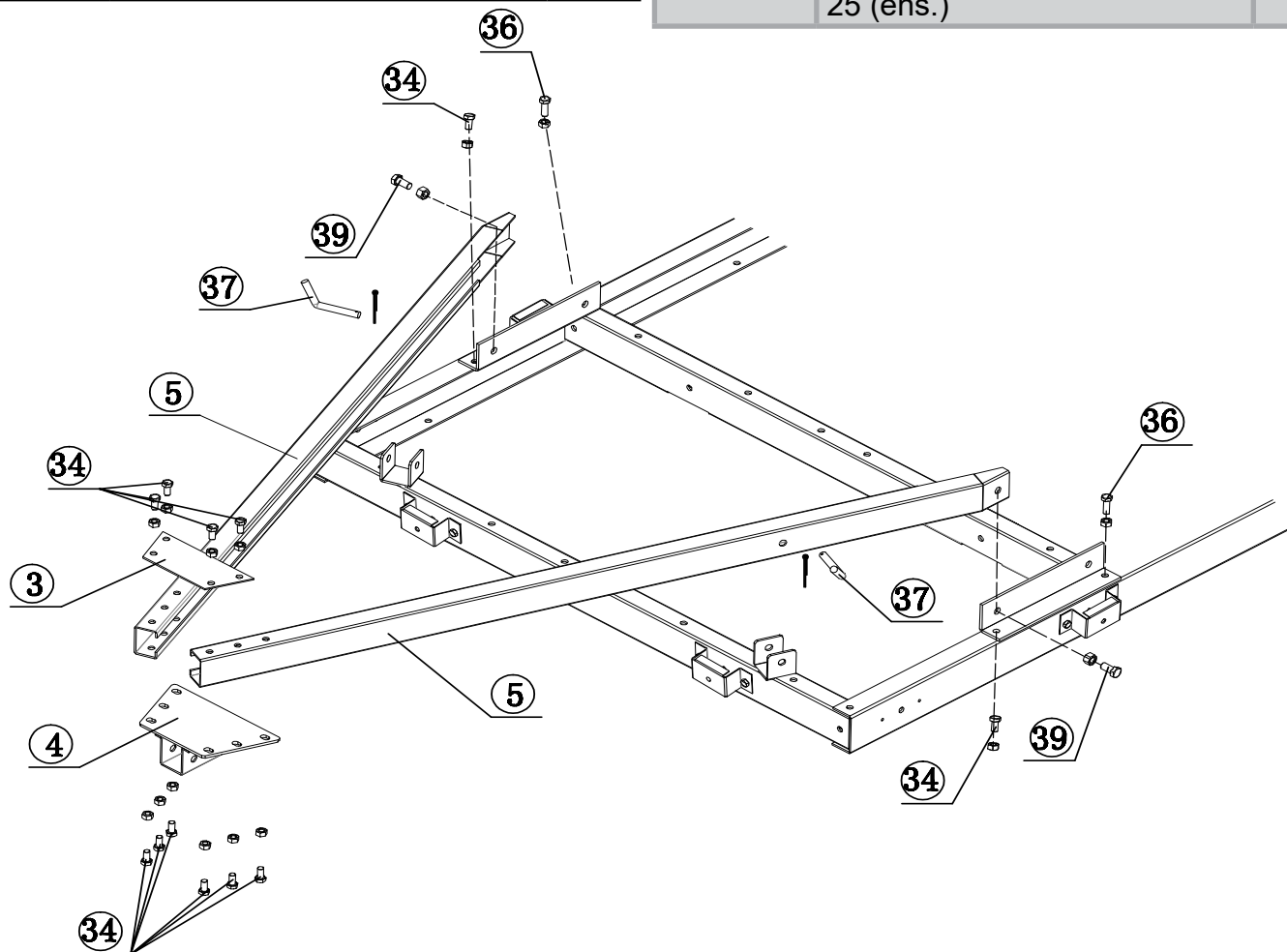


fig.2

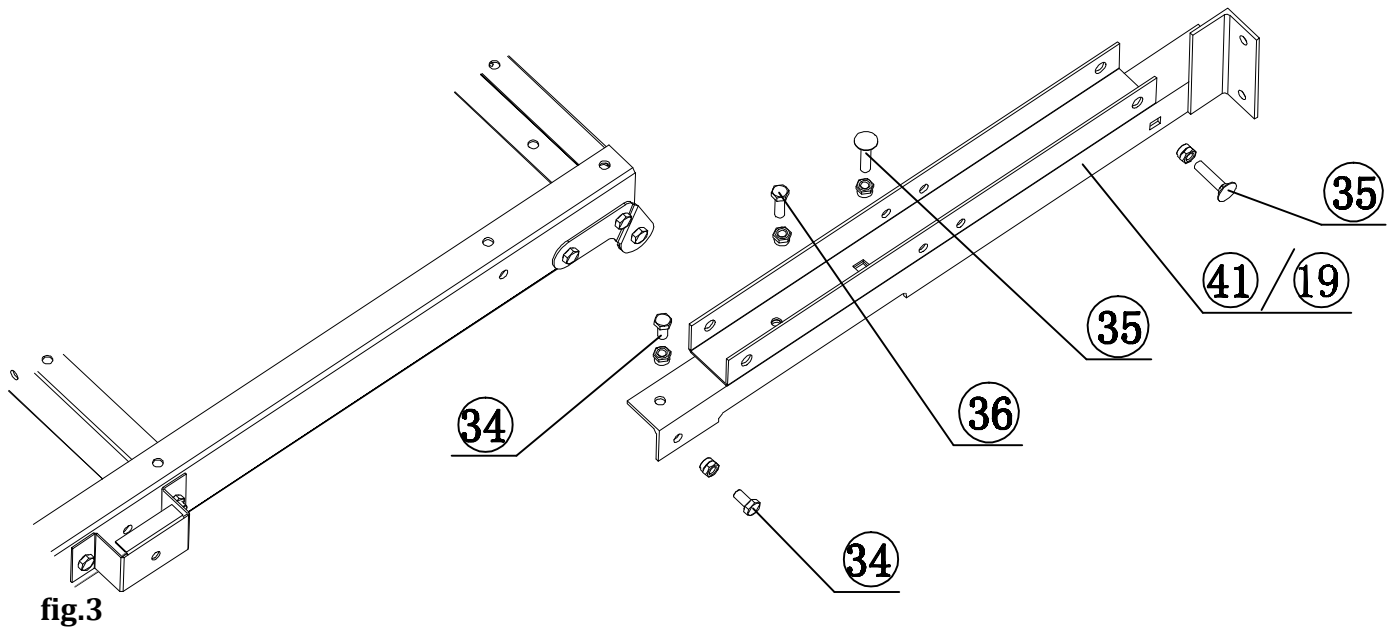
INSTRUCTIONS DE MONTAGE

ÉTAPE 3

ASSEMBLAGE DU SUPPORT DE RESSORT

Installez le support de ressort gauche (19) et le support de ressort droit (démontré en fig .3, #41) sur les côtés de la remorque avec les M10 x 20 (34) et (44) à l'avant, M10 x 30 (36) au milieu et les boulons (35) à l'arrière.

N° de pièce	Description	Qté.
19	Left spring hanger	1
34	Boulons & écrous hex M10 x 20 (ens.)	4
35	Boulons de carrosserie & écrous M10 x 25 (ens)	4
36	Boulons & écrous hex M10 x 30 (ens)	2
41	Support de ressort droit	1



INSTRUCTIONS DE MONTAGE

ÉTAPE 4

ENSEMBLE DE GARDE-BOUE

1. Reliez le support de garde-boue (24) aux supports de ressort (19,41) avec les M10 x 20 (34).
2. Reliez les garde-boue (25) au support d'aile avec les M10 x 20 (34). Notez que les trous sur le côté du bord de l'aile sont dirigés vers la remorque.
3. Reliez le support de roulette gauche (22) au support de ressort gauche (19), Connectez le support de roulette droit (23) au support de ressort droit (41).
4. Installez la roulette (21) sur les supports de roulette.

N° de pièce	Description	Qté.
21	Roulette	4
22	Support de roulette gauche	1
23	Support de roulette droit	1
24	Support de garde-boue	2
25	Garde-boue	2
34	Boulons & écrous hex M10 x 20 (ens.)	12

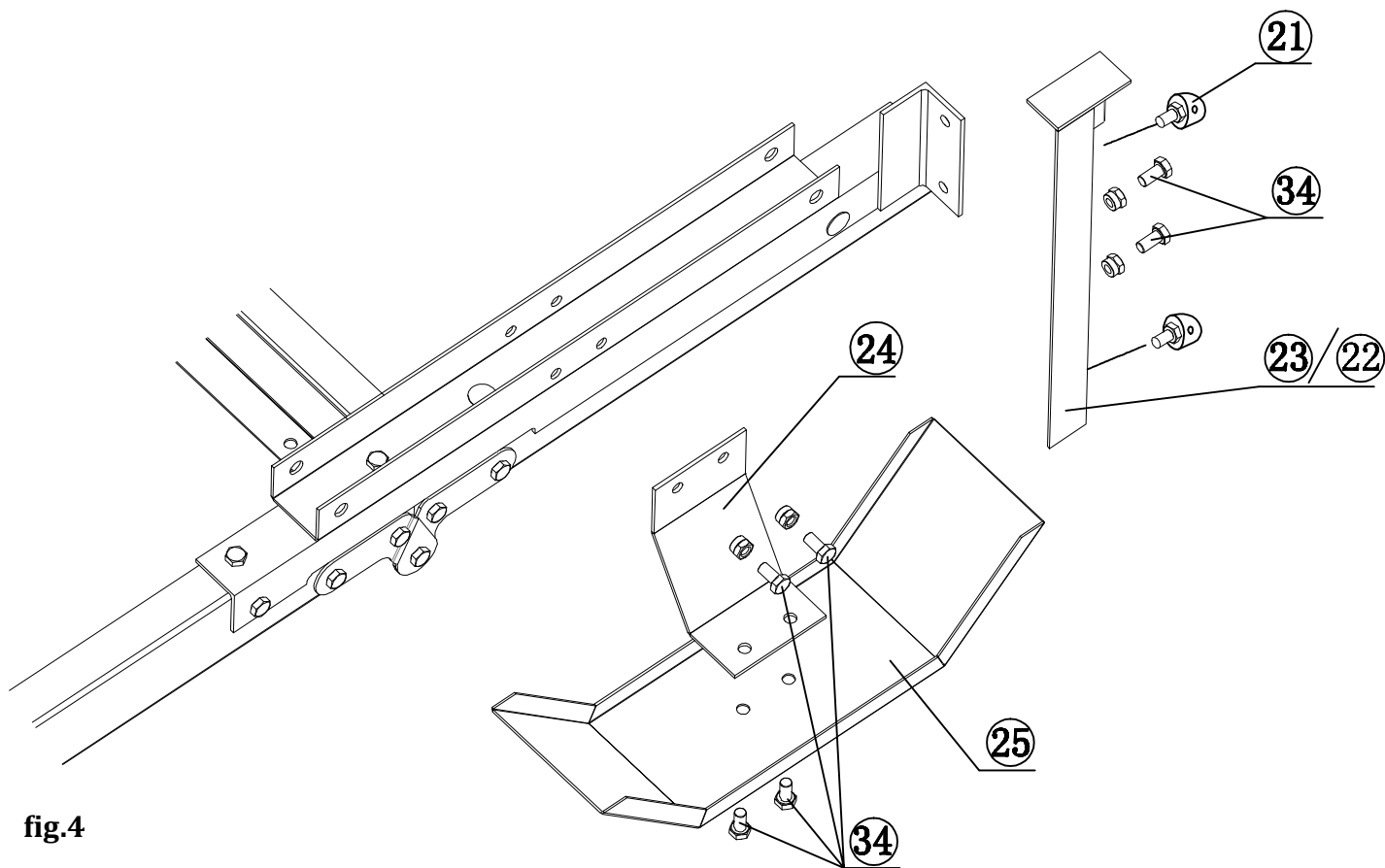


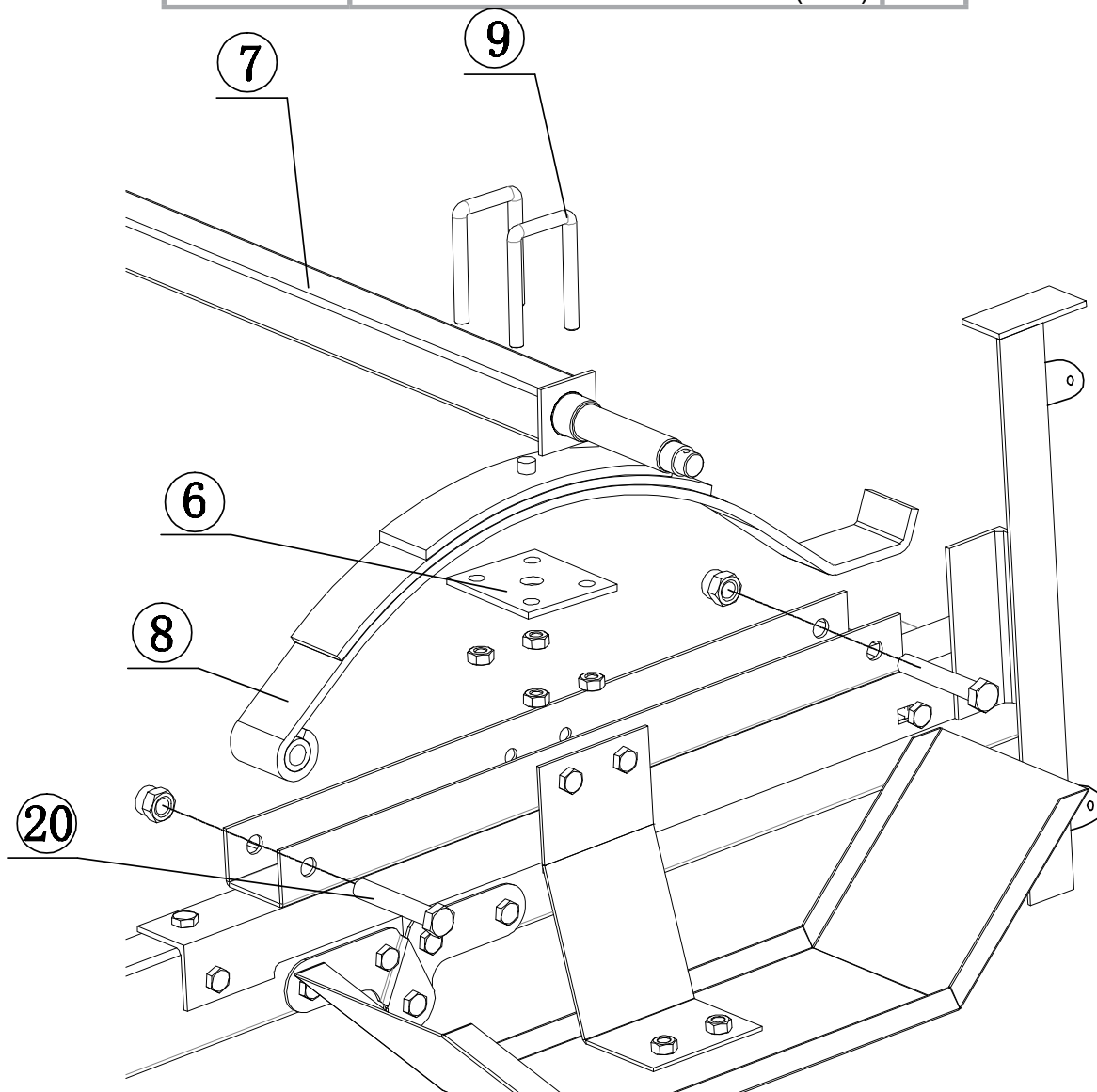
fig.4

ÉTAPE 5

ENSEMBLE RESSORT ET ESSIEU

1. Placer le ressort à 3 lames (8) dans le support de ressort avec l'œil vers l'avant sur le timon de la remorque. Installer le M14 x 85 (9) passer à travers le support de ressort, l'œillet de ressort et le verrouiller avec l'écrou en nylon M14.
2. Installez le M14 x 85, passez par la queue de ressort et les suspensions à ressort et verrouillez avec l'écrou en nylon M14.
3. Placer l'essieu (7) sur le ressort (8) avec le trou dans les chevilles d'essieu. Fixez l'essieu au chaque ressort avec deux boulons en U (9), la plaque à ressort (6) et bloquez avec quatre écrous M10 tel qu'illustré.

N° de pièce	Description	Qté.
6	Plaque de ressort	2
7	Essieu	1
8	Ressort de 3 lames	2
9	Boulon en U M10 x 85 et écrou (ens.)	4
20	Boulons & écrous hex M12 x 80 (ens.)	4

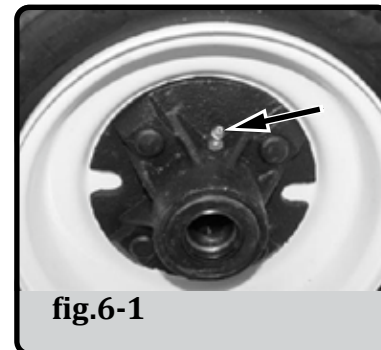


INSTRUCTIONS DE MONTAGE

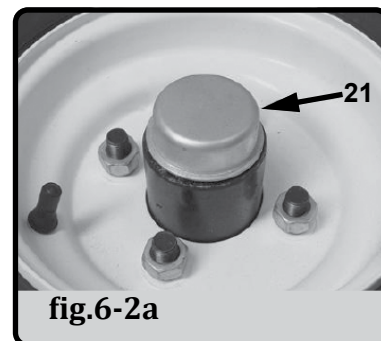
ÉTAPE 6

ASSEMBLAGE DES PNEUS

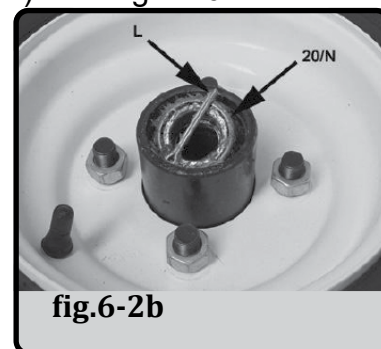
1. Localisez les ensembles pneu / moyeu. Pour un accès facile, assurez-vous que les graisseurs sont orientés vers l'extérieur du moyeu, comme illustré à la figure 6-1.



2. Retirez le capuchon de moyeu (21) à l'aide d'une petite barre de levier entre la bride sur le chapeau de moyeu et la face du moyeu (fig.6-2a).



3. Retirez la goupille fendue de 4 mm (L), le roulement (20) et la rondelle (N). Voir figure 6-2b.



4. Retirez les écrous crénelés (H) des extrémités d'essieu.

INSTRUCTIONS DE MONTAGE

5. Glissez soigneusement l'ensemble pneu / moyeu sur l'essieu avec les écrous de roue tournés vers l'extérieur, fig. 6-3

N° de pièce	Description	Qté.
11	Roulement à billes	2
12	Ensemble moyeu	2
13	Jante et pneu	2
14	Rondelle M22	2
15	Écrou crénelé M22 x 1.5	2
16	Goupille à fente	2
17	Écrou	10
18	Capuchon	2

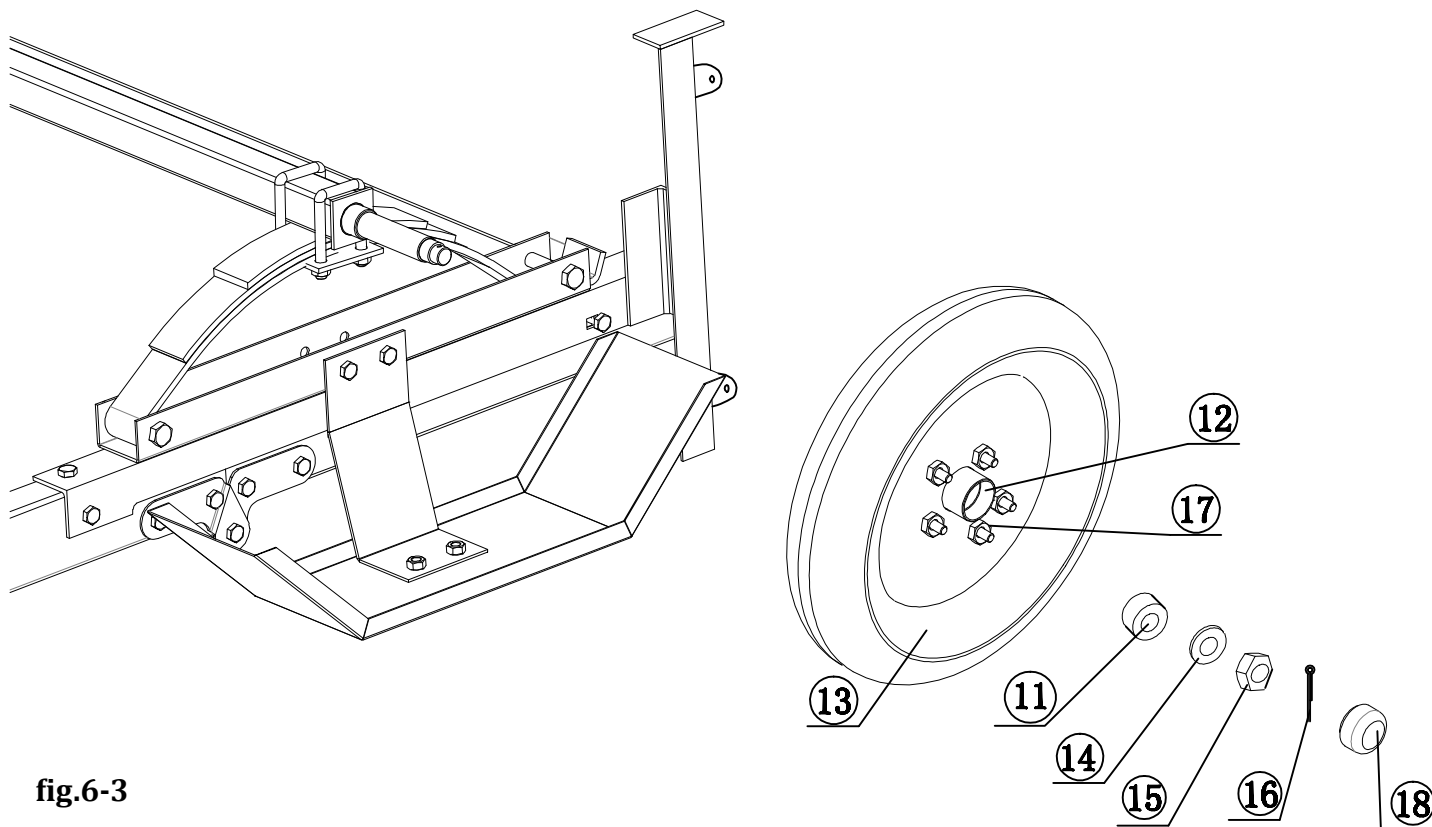


fig.6-3

6. Installez le roulement extérieur avec le cône orienté vers l'intérieur en direction du moyeu (fig.6-3, 11).
7. Installez la rondelle et l'écrou crénelé (fig.6-3, 14 & 15). Serrez l'écrou crénelé tout en tournant le pneu / moyeu. Serrez l'écrou crénelé jusqu'à ce qu'il y ait résistance tout en tournant le pneu / moyeu.
8. Installez la goupille fendue de 4 mm (fig.6-4, L) dans l'écrou crénelé (fig.6-4, H) et le trou à l'extrémité de l'essieu. Si des trous sont pas alignés, desserrer légèrement l'écrou crénelé, pas plus d'une fente de façon à aligner les trous.
9. Écartez la goupille à fente (L) pour retenir l'écrou crénelé. Voir figure 6-4.

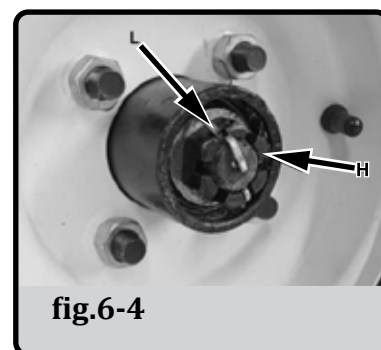
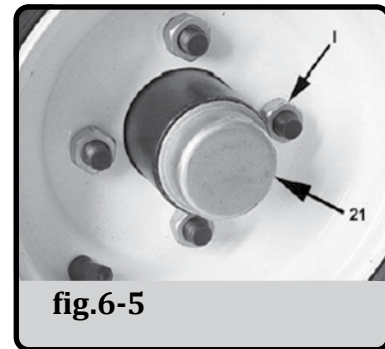


fig.6-4

INSTRUCTIONS DE MONTAGE

10. Pompez environ 8 à 10 pompes d'un pistolet à graisse manuel dans le moyeu.
11. Installez le capuchon de moyeu (fig.6-5, 21) fermement sur le moyeu avec un maillet en caoutchouc.
12. Répétez les étapes 2 à 11 pour l'autre pneu / moyeu.
13. Alors que la remorque est toujours à l'envers sur le sol, passez le câblage.



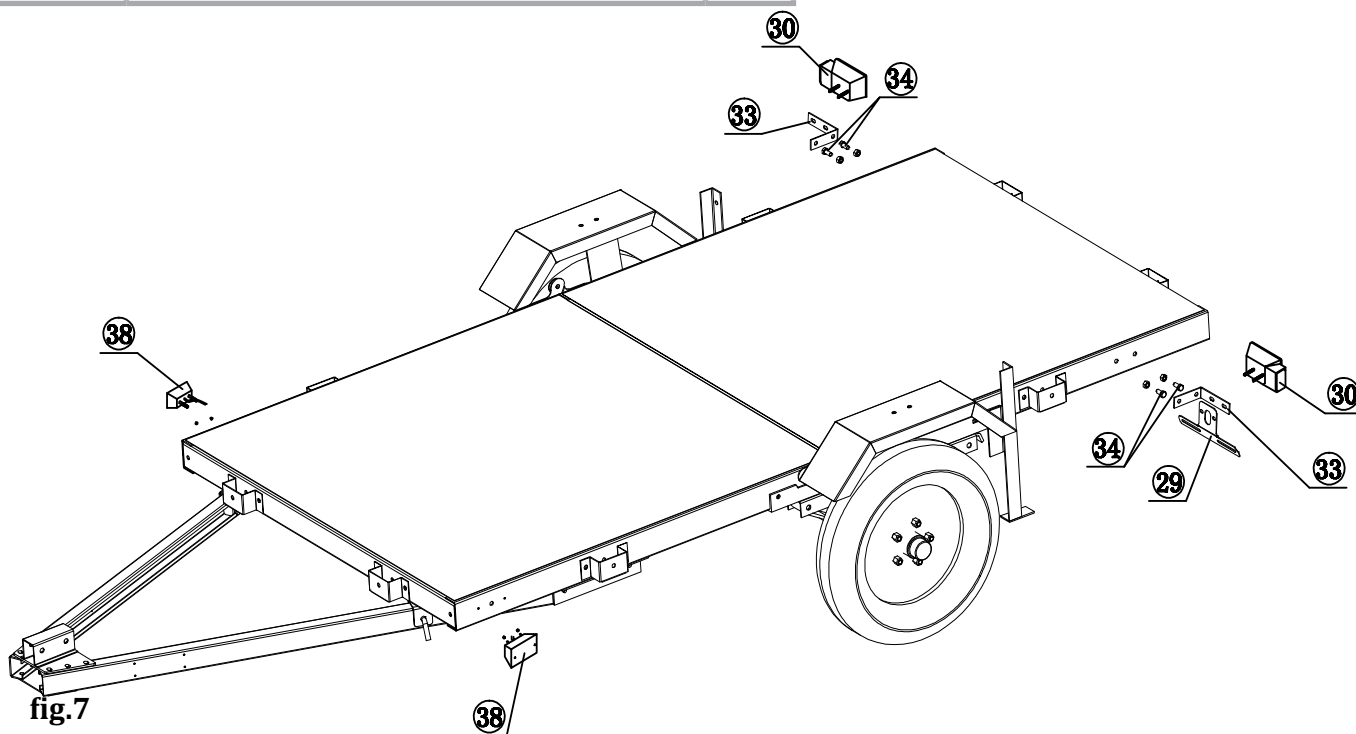
ÉTAPE 7

INSTALLATION DES ENSEMBLES DE LUMIÈRE

1. Fixez les supports de Lumière (33) au Rail latéral arrière gauche et au Rail latéral arrière droit en utilisant quatre jeux de boulons M10 x 20 et d'écrous M10 (44)
2. Fixez le support de plaque d'immatriculation (29) avec le feu arrière gauche (30L) au support de lumière sur le rail latéral arrière gauche, à l'aide d'écrous M10.
3. Fixez le feu arrière droit (30R) au support d'éclairage sur le rail latéral arrière droit, à l'aide des écrous M10.
4. Fixez le feu de circulation latéral au rail latéral avant gauche, à l'aide de vis autotaraudeuse de 4 mm de l'ensemble d'éclairage.

REMARQUE : La remorque devrait être, à ce stade, à l'envers. La Fig.7 montre la position des composants d'éclairage sur une remorque à droite pour plus de compréhension.

N° de pièce	Description	Qté.
29	Support de plaque d'immatriculation	1
30	Lumières arrières	2
33	Support de lumière	2
34	Boulons & écrous hex M10 x 20 (ens.)	4
38	Lampe de positionnement	2



INSTRUCTIONS DE MONTAGE

ÉTAPE 8

CÂBLAGE DE LA REMORQUE

REMARQUE: Seul un technicien qualifié doit effectuer l'entretien électrique qui peut être nécessaire pour permettre à votre marque ou modèle de véhicule particulier d'alimenter le système d'éclairage 12 V CC de la remorque. Cela dépasse le cadre de ce manuel.

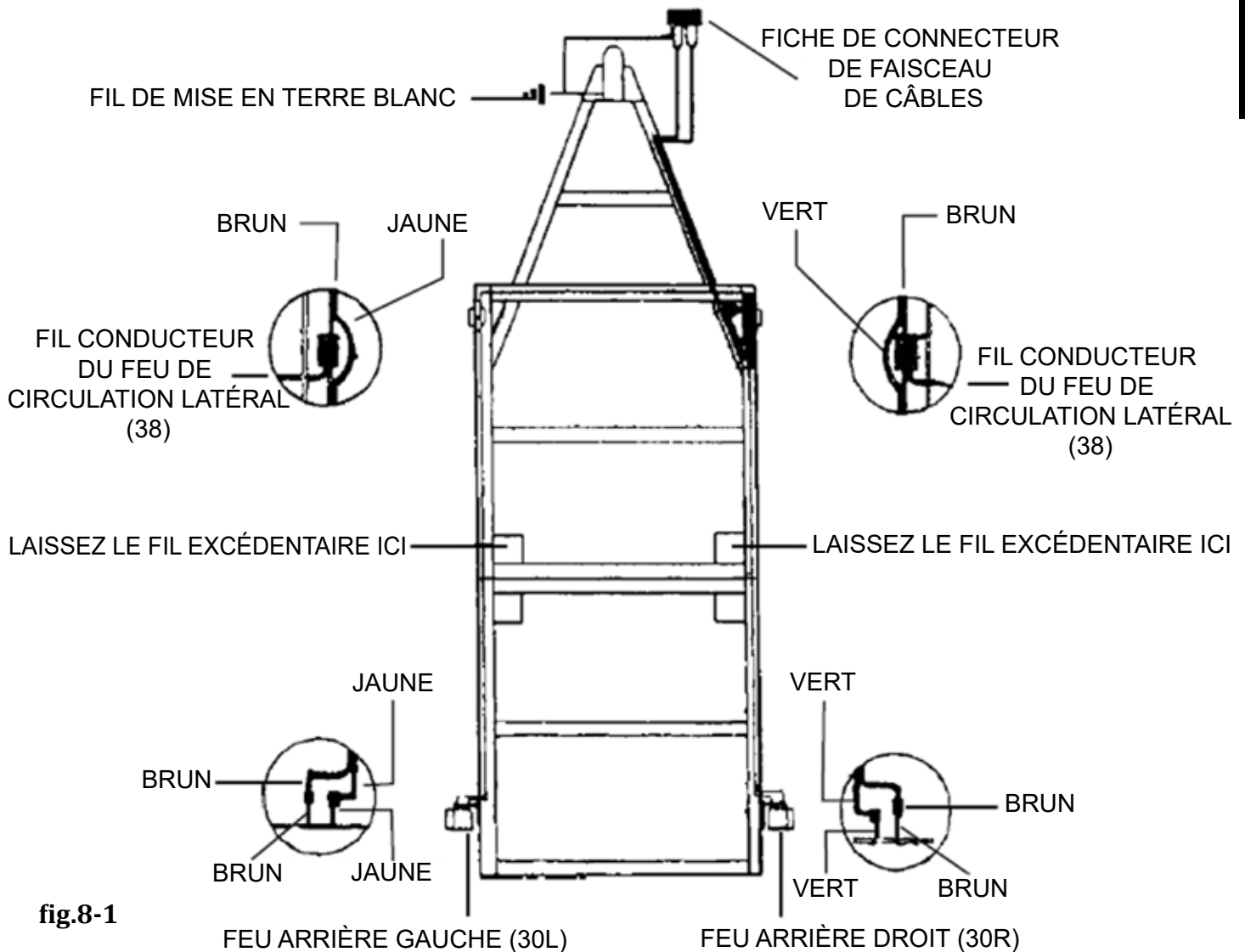


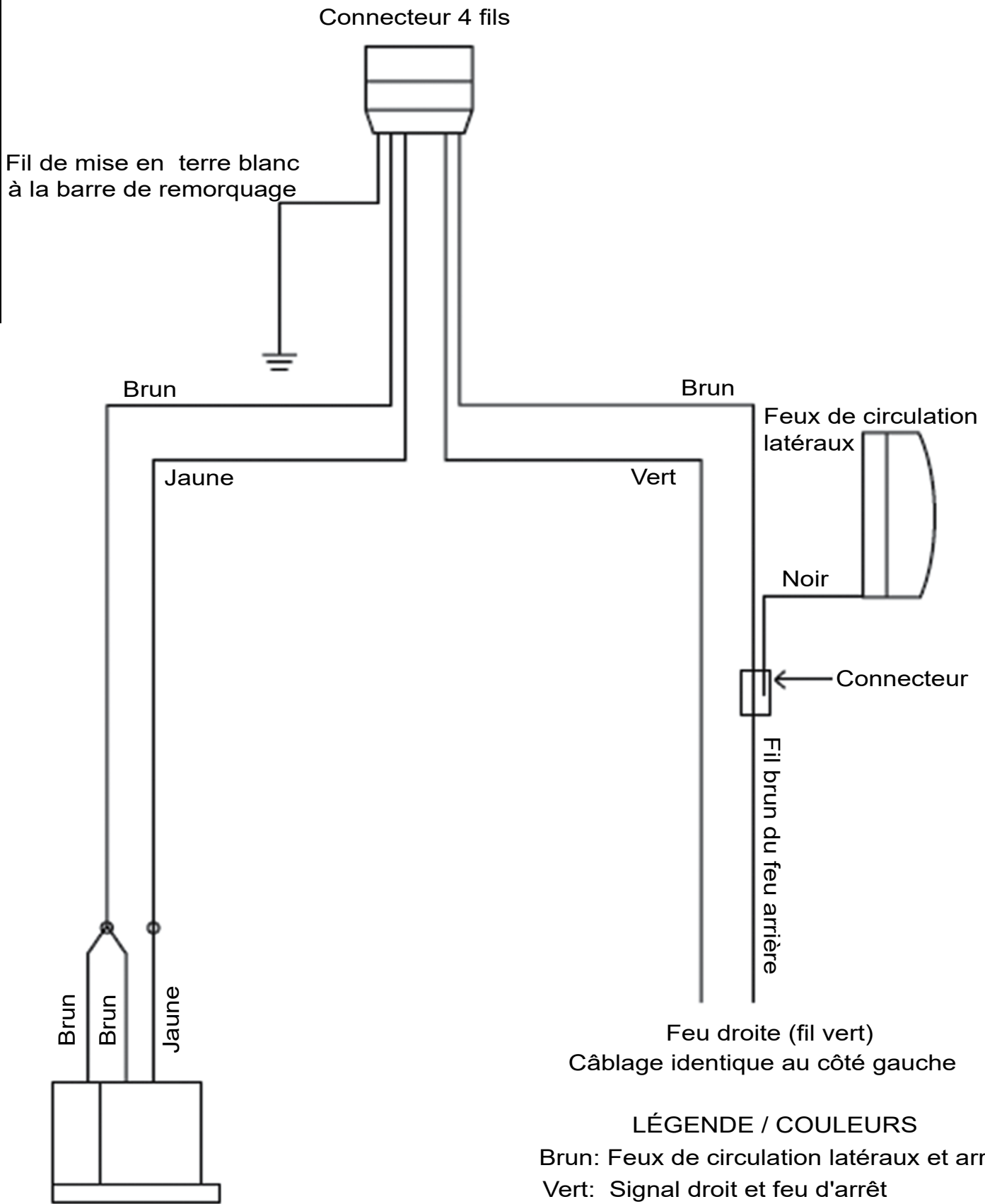
fig.8-1

1. Demandez à un technicien qualifié d'installer un connecteur 4 fils 12 VDC dans la zone du coffre de votre véhicule.
2. Localisez la fiche du connecteur du véhicule près du coupleur de remorque (2) et disposez les fils du faisceau de câblage de la remorque.

REMARQUE : les fig 8-1 et 8-2 montrent la remorque côté droit vers le haut. Gardez à l'esprit que la remorque est à l'envers à ce stade pour faciliter l'installation du câblage, de sorte que les côtés gauche et droit semblent inversés.

INSTRUCTIONS DE MONTAGE

FRANÇAIS



Feu gauche (Fil jaune)

fig.8-2

LÉGENDE / COULEURS

Brun: Feux de circulation latéraux et arrière

Vert: Signal droit et feu d'arrêt

Jaune: Signal gauche et feu d'arrêt

Blanc: Mise en terre au cadre

○ Indique la connexion des serre-fils

INSTRUCTIONS DE MONTAGE

3. Connectez le fil brun au feu arrière gauche du véhicule en dénudant, envelopper et en attachant la fiche du connecteur.
4. Connectez le fil jaune au signal gauche du véhicule et arrêtez le fil du feu.
5. Connectez le fil vert au signal droit du véhicule et arrêtez le fil du feu.
6. Fixez le fil de mise en terre blanc à l'extrémité de la fiche du faisceau de câblage au petit trou de montage dans la barre de remorquage (5) avec une vis taraudeuse de 1/4 po. (6 mm), non incluse. Voir J, fig.8-3.

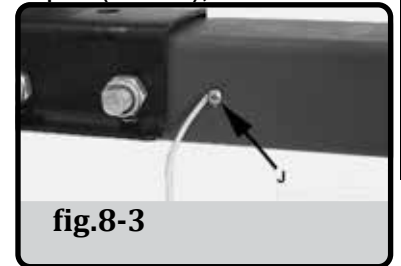


fig.8-3

7. Laissez passer les fils jaunes / bruns le long de l'intérieur de la traverse avant (39) jusqu'au feu de circulation latéral (38) sur le rail latéral avant gauche (26).
8. Faites passer les fils verts / bruns le long de l'intérieur du rail latéral avant droit vers l'autre feu de circulation latéral.
9. Branchez le fil des deux feux de circulation latéraux au fil brun de chaque côté de la remorque, à l'aide de connecteurs. Insérez ensuite des attaches métalliques sur toute la longueur des rails latéraux de la remorque pour maintenir le harnais de câblage.
10. Acheminez les fils jaunes / bruns vers le feu arrière gauche (30 L), en laissant un surplus de fil là où le cadre se replie.
11. Dégainer environ 3/4 po. (19 mm) d'isolant aux extrémités des fils.
12. Connectez le fil jaune au fil jaune de la lumière gauche.
13. Connectez le fil brun au fil brun du feu arrière gauche.
14. Acheminez les fils verts / bruns jusqu'au feu arrière droit (30R), en laissant un excédent de fil là où le cadre se replie.
15. Dégainer environ 3/4 "(19 mm) d'isolant aux extrémités des fils.
16. Connectez le fil vert au fil vert de la lumière droite.
17. Connectez le fil brun au fil brun du feu arrière droit.

REMARQUE : *Utilisez de la graisse diélectrique sur chaque connecteur pour éviter la corrosion.*

18. Retournez la remorque sur ses roues.

MISE EN GARDE! *Assurez-vous d'obtenir l'assistance de 1 ou 2 personnes supplémentaires. N'essayez pas cela par vous-même.*

19. Même si les roues étaient déjà montées sur les moyeux, vous devez serrer tous les écrous de roue (I) à 85-90 lb / pi de couple.

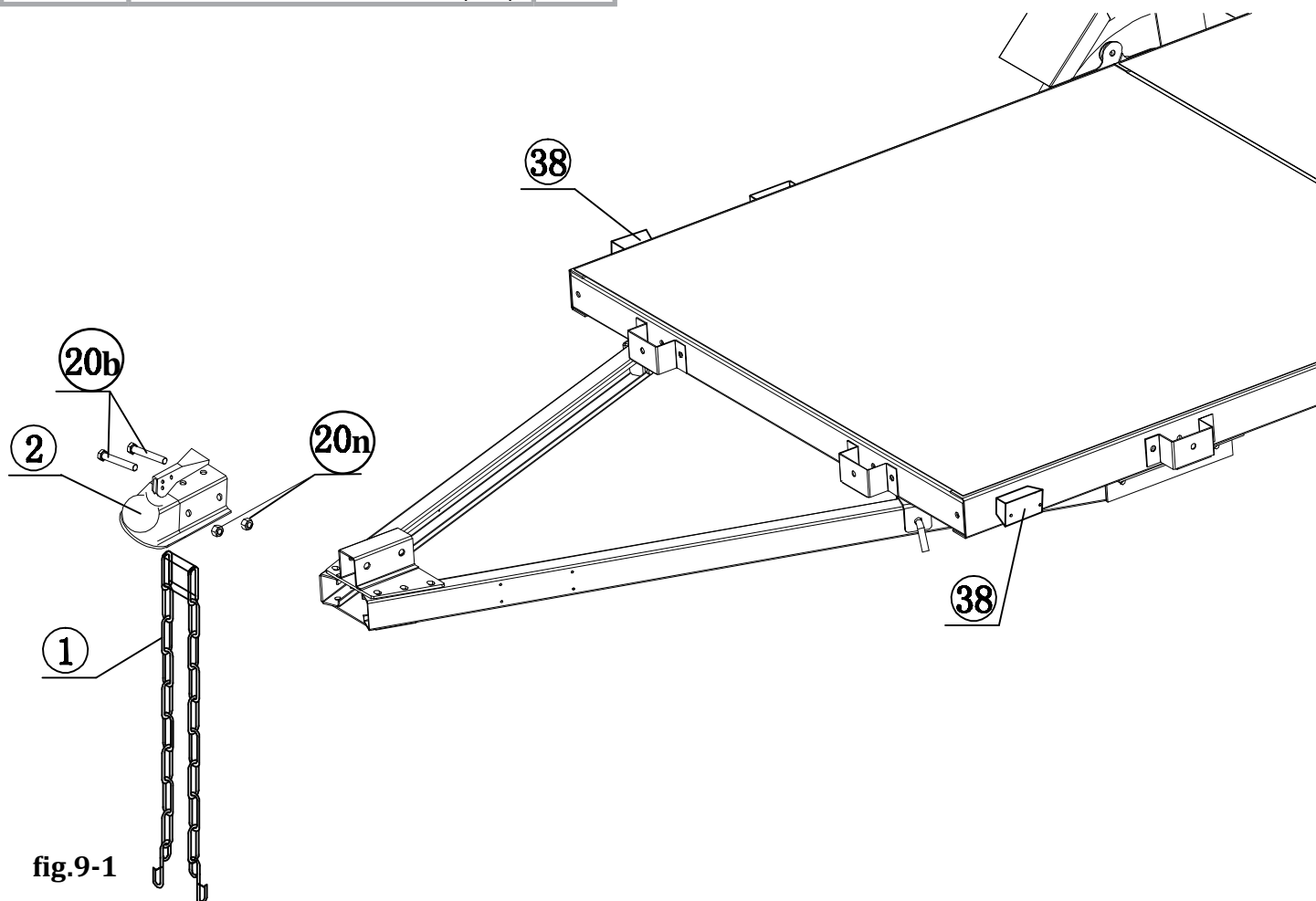
INSTRUCTIONS DE MONTAGE

ÉTAPE 9

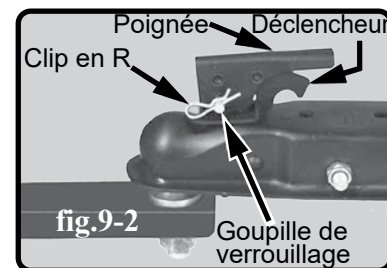
FIXER LE COUPLEUR

1. Fixez le coupleur (2) à la base du coupleur (4) à l'aide de deux jeux de boulons M12 x 75 et d'écrous M12 (20). Lors de l'installation du boulon avant, vissez-le à travers le maillon central de la chaîne de sécurité (1) pour fixer la chaîne au coupleur.

Item N°.	Description	Qty.
1	Safety chain	1
2	2 inch coupler	1
20	Hex bolt M12 x 80 & nut (set)	2

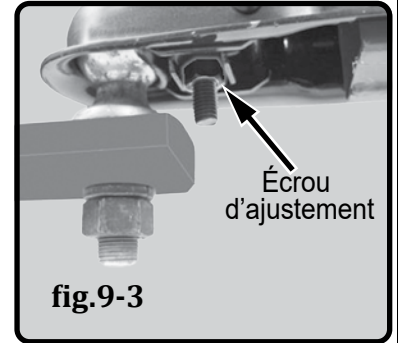


2. Verrouillez le déclencheur du coupleur à l'aide de sa goupille de verrouillage et de son clip en R.



INSTRUCTIONS DE MONTAGE

3. Tirez de haut en bas sur le coupleur pour voir si le coupleur est bien ajusté sur la balle. Il ne doit pas y avoir de jeu entre la balle et l'attelage. S'il y a du jeu, serrez l'écrou de réglage jusqu'à ce qu'il n'y ait plus de jeu. Si l'écrou est trop serré, la poignée ne se bloquera pas.



AVERTISSEMENT! *Risque de désaccouplement de la remorque.*

- *Le coupleur fourni avec votre remorque nécessite une boule d'attelage de 2 pouces.*
- *Utilisez uniquement une boule d'attelage de 2 pouces sur le véhicule tracteur qui remorque cette remorque.*

REMARQUE: *Pour réduire la friction entre l'attelage à boule et le coupleur, appliquez une couche de graisse au lithium polyvalente sur l'attelage à boule. Essuyez l'excès de graisse lorsqu'il n'est pas utilisé pour éviter de tacher les vêtements.*

L'assemblage est terminé

RÈGLES D'UTILISATION ET DE FONCTIONNEMENT SÉCURITAIRES

VÉHICULE DE REMORQUAGE

- Assurez-vous que le véhicule est capable de remorquer la charge.
- La vitesse excessive est la deuxième cause la plus importante d'accidents de voiture-remorque. La vitesse maximale recommandée pour les voitures de tourisme remorquant des remorques est de 45 mph (72 km / h).

ATTELAGE, BOULE, COUPLEUR

- Vérifiez que l'attelage du véhicule soit capable de tracter la remorque. La capacité de l'attelage est normalement estampée sur la barre d'attelage et la capacité de la balle est estampée sur la boule.
- Assurez-vous que le coupleur et la boule sont de la même taille et ont une valeur nominale égale ou supérieure à la charge.
- Ne jamais attacher autre chose que l'attelage de taille appropriée à la boule pour le remorquage.

CHAÎNES DE SÉCURITÉ

- Croisez toujours les chaînes sous le coupleur et connectez les chaînes de sécurité au châssis du véhicule tracteur.
- Vérifiez que les chaînes de sécurité sont fixées au véhicule tracteur avec la même longueur de chaque côté.
- Ne laissez pas les chaînes trainer au sol.

CHARGEMENT

- Ne surchargez jamais la remorque. La charge maximale est de 1450 livres (657,7 kg)
- Charger la remorque uniformément d'un côté à l'autre avec 60% de la charge en avant de l'essieu. Il est important que la langue appuie sur l'attelage, mais ne dépasse pas une force descendante de 90 livres.
- Réduisez le poids dans le coffre et les sièges arrière en fonction du poids de la languette de votre remorque.
- Il est dangereux et contraire à la loi de transporter des passagers sur ou dans une remorque.
- Verrouillez toujours le hayon en position de déplacement avant de remorquer la remorque.

ÉCLAIRAGE

- Vérifiez tous les feux avant chaque utilisation et tous les 100 miles. RÉPARER OU REMPLACER LES LENTILLES, LES AMPOULES OU LES RÉFLECTEURS BRISÉS.
- Vérifiez que les fils sont bien branchés et que l'effilochage ou l'usure de l'isolant est possible, et doit être réparé.
- Les ampoules fournies avec cette remorque sont pour un système de 12 volts.
- Les ampoules utilisées dans les feux arrière sont: Numéro -1157-arrêt/clignotants et position.

RÈGLES D'UTILISATION ET DE FONCTIONNEMENT SÉCURITAIRES

- Les ampoules pour feux de position latéraux sont: Numéro -1895.

JANTES ET PNEUS

- Vérifiez l'usure, les dommages et le gonflage correct des pneus avant chaque utilisation et tous les 100 miles (160 km).
- La pression des pneus doit être maintenue à 60 psi (414 kPa).
- Vérifiez et serrez les écrous de roue. Serrez à un couple de 85 à 90 lb / pi.
- **RESERRER APRÈS LES 25, 50 ET 100 PREMIERS MILES (40, 80, 160 km) ET AVANT DE REMORQUER PAR LA SUITE.**

FONCTIONNEMENT

- Savoir comment contrôler correctement votre combinaison véhicule tracteur-remorque sur l'autoroute dans toutes les conditions. Il est important de se rappeler que le poids chargé de la remorque augmentera considérablement vos distances de freinage et d'arrêt.
- Lorsque vous remorquez une remorque sur de longues distances, arrêtez-vous et vérifiez l'étanchéité de toutes les connexions, des feux et du train roulant tous les 100 miles (160 km).
- Transportez des fusées éclairantes d'urgence et un extincteur d'incendie si nécessaire pour le fonctionnement dans votre état.
- Il est souhaitable de transporter des ampoules et des fusibles supplémentaires si vous remorquez la remorque la nuit.

PLIAGE DE LA REMORQUE

ATTENTION! Assurez-vous que votre remorque est dans un endroit plat et sûr et calez les deux pneus avant de plier ou de déplier

Étape 1

Retirez les deux jeux d'écrous et de boulons qui fixent les moitiés de plate-forme de la remorque ensemble.

Étape 2

Retirez les quatre jeux d'écrous et de boulons des supports de ressort gauche et droit.

Étape 3

Rabattez la partie arrière de la remorque par-dessus la partie avant. Assurez-vous d'obtenir l'assistance de 1 ou 2 personnes supplémentaires.

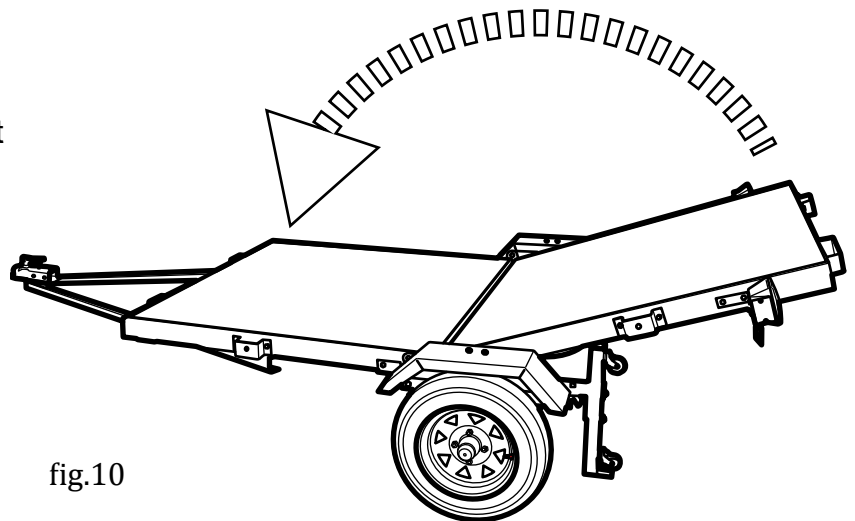


fig.10

RÈGLES D'UTILISATION ET DE FONCTIONNEMENT SÉCURITAIRES

Étape 4

Fixez les sections ensemble à l'aide d'un élastique ou d'une corde. Assurez-vous que la remorque ne peut pas s'ouvrir lors du basculement sur des roulettes pour l'entreposage.

Étape 5

Retirez les cales de roue des pneus de la remorque et inclinez la remorque sur ses roulettes. Assurez-vous d'obtenir l'assistance de 1 ou 2 personnes supplémentaires. N'essayez pas cela par vous-même.

Étape 6

Soyez prudent lors du transport de la remorque sur roues pivotantes. La remorque peut basculer si vous ne faites pas attention d'équilibrer le poids. Assurez-vous d'obtenir l'assistance de 1 ou 2 personnes supplémentaires.

Étape 7

La remorque est maintenant prête à être remise contre un mur. Il est recommandé de sécuriser la remorque pour éviter tout mouvement lors du remisage.

ENTRETIEN

- Vérifiez et entretenez la remorque, l'attelage, la boule et l'attelage avant chaque utilisation et tous les 200 milles (322 km).
- Inspectez le coupleur, l'attelage et la boule pour détecter des dommages avant chaque utilisation.
- La balle ou l'attelage peuvent être endommagés dans le stationnement, heurtant des bordures, traînant lors du franchissement de fossés ou de voies ferrées.
- Vérifiez l'usure des chaînes de sécurité et des crochets et ne laissez pas les chaînes de sécurité glisser sur le sol.
- Pour éviter d'endommager les roulements, démontez et remballez les roulements de roue avec une bonne qualité de graisse pour roulements de roue tous les 2000 à 3000 miles (3200 - 4800 km) or yearly.
- Si vous ne savez pas comment remballer le roulement de roue, confiez votre remorque à un technicien qualifié.

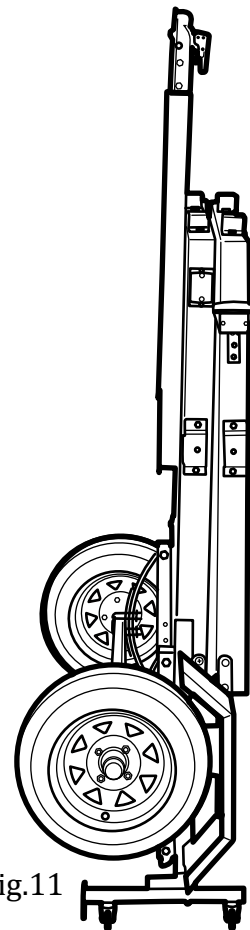


fig.11

IMPORTANT : Les avis suivants ont pour but de vous donner des conseils sur l'utilisation et le fonctionnement en toute sécurité de votre remorque utilitaire.

1. **VEUILLEZ LIRE ATTENTIVEMENT** les instructions et les suivre étape par étape pour un assemblage facile. Veuillez garder ces instructions.
2. **VEUILLEZ VÉRIFIER L'ASSEMBLAGE ÉTAPE PAR ÉTAPE** pour vous assurer que chacun est suivi.
3. **AVANT D'UTILISER, VEUILLEZ INSPECTER VOTRE REMORQUE.**
4. **NE RETIREZ PAS L'AUTOCOLLANT VIN** de la barre de remorquage.

REMARQUER :

- *Remballez les roulements de roue tous les 3000 milles (4800 km) d'utilisation.*
 - *Maintenez la pression des pneus à 60 psi (414 kPa) avec les pneus à température ambiante.*
 - *Veillez vous assurer de vous conformer à ce qui suit avant d'utiliser votre remorque.*
1. Serrez les boulons en U.
 2. Serrez les écrous de roue.
 3. Le coupleur est fixé à la boule et est correctement réglé.
 4. Croisez et connectez les chaînes de sécurité.
 5. La charge de la remorque ne doit pas dépasser sa capacité de 1450 livres (657,7 kg) et doit être correctement fixée.
 6. La taille de la charge de la remorque ne doit pas dépasser la taille de la planche de lit de la remorque.

AVIS DE LICENCE DE REMORQUE CANADIENNE

Certaines provinces peuvent considérer que cette remorque est construite de façon spéciale ou un véhicule fait maison à des fins d'enregistrement, pour l'émission du permis et / ou de la licence.

Lors de l'octroi d'une licence pour votre remorque, vous aurez besoin du formulaire NVIS signé, d'une facture d'achat, d'un reçu de caisse ou d'un acte de vente indiquant les taxes d'achat et de vente au détail perçues par le vendeur.

Apportez-les à votre bureau local du ministère provincial des Transports et, après paiement des frais appropriés, vous recevrez une licence, un enregistrement et une plaque d'immatriculation (si nécessaire). Certaines provinces exigeront l'inspection de la remorque assemblé et fini avant de délivrer un enregistrement de titre / licence.

Si vous avez besoin d'informations supplémentaires ou de conseils sur les licences ou les titres, veuillez consulter votre département provincial des véhicules à moteur.

AVIS DE LICENCE DE REMORQUE AUX ÉTATS-UNIS

Certains États peuvent considérer que ce ensemble de remorque est spécialement construit ou est un véhicule fait maison à des fins d'enregistrement, de licence et / ou d'enregistrement.

Lors de l'octroi d'une licence pour votre remorque, vous devrez peut-être le M.C.O. signé, une facture d'achat, un reçu de caisse enregistreuse ou un acte de vente indiquant la taxe d'achat et de vente au détail ou l'utilisation de la collecte de taxe par le vendeur. Apportez-les à votre département local des véhicules à moteur et moyennant le paiement des frais d'État appropriés, vous recevrez un titre, une plaque d'immatriculation et une plaque d'immatriculation (si nécessaire). Certains États exigeront l'inspection de la remorque assemblé et fini avant de délivrer un enregistrement / licence de titre.

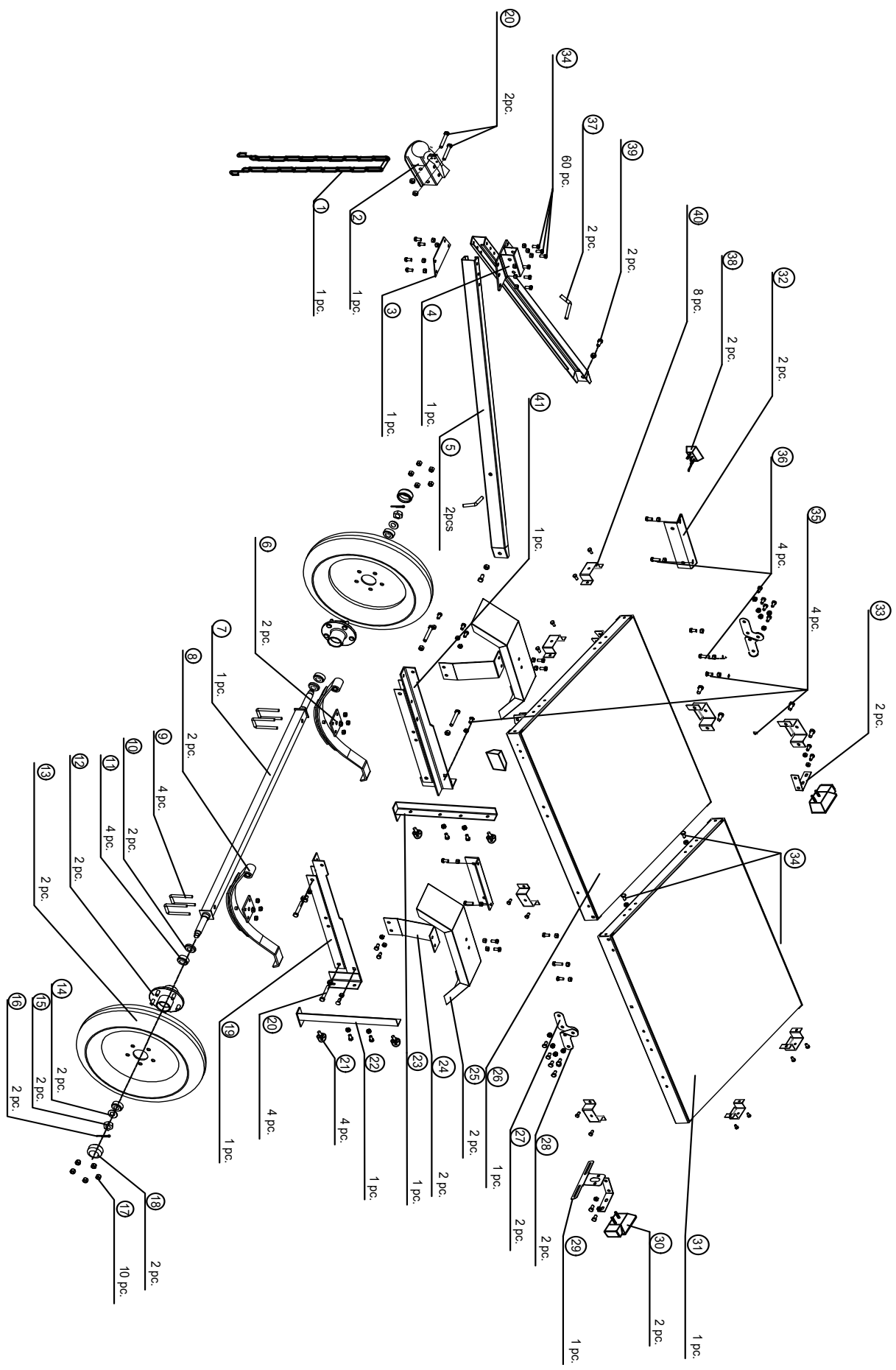
Si vous avez besoin d'informations supplémentaires ou de conseils sur les licences ou les titres, veuillez consulter votre département d'État des véhicules à moteur

LISTE DE PIÈCES

N° de pièce	Description	Qté.
1	Chaîne de sécurité	1
2	Coupleur 2 "	1
3	Plaque d'attelage en T du timon	1
4	Base de coupleur	1
5	Timon	2
6	Plaque de ressort	2
7	Essieu	1
8	Ressort à 3 lames	2
9	Boulon en U M10 x 85	4
10	Joint de graisse	2
11	Roulement 30205	4
12	Ens. moyeu	2
13	Pneu et roue de 5,3-12 po.	2
14	Rondelle	2
15	Écrou crénelé	2
16	Écrous de roue	10
17	Goupille à fente	2
18	Capuchon	2
19	Suspension à ressort gauche	1
20	Boulon hex M12 x 80 -8,8G	6
21	Roulette 2 po.	4

N° de pièce	Description	Qté.
22	Support de roulette gauche	1
23	Support de roulette droit	1
24	Support d'aile	2
25	Garde boue	2
26	Plateau avant	1
27	Charnière intérieure	2
28	Charnière extérieure	2
29	Plaque d'immatriculation	1
30	Feu arrière	2
31	Plateau arrière	1
32	Cintre de connexion du timon	2
33	Support de lumière	2
34	Boulons & écrous hex M10 x 20 -8,8G	60
35	Boulon de carrosserie M10 x 25 -8,8G	4
36	Boulon M10 x 30 -8,8G	4
37	Loquet Ø12 x 75 avec clip en R	2
38	Feu latéral	2
39	Boulon M12 x 25 -8,8G	1
40	Support de panneau	8
41	Support de ressort droit	1

SCHEMA





Remorque pliante galvanisée
de 4 x 8 pi. Manuel du
propriétaire

Model MFT4X8G

8 pi (244 cm)
Remorque
pliante

DETAIL K2 INC.

5330 Mainway,
Burlington, ON L7L6A4
1-888-277-6960



STOP!

Questions, problems, missing parts? Do not return to your retailer.

Please call our customer service department at: 1(888) 277-6960. Our customer service staff are ready to provide assistance. If a part is damaged or missing, replacement parts can be shipped from our facility. For immediate help with assembly, or for additional product information, call our North American toll-free number: 1(888) 277-6960.

Save this manual

You will need this manual for safety instructions, operating procedures, and warranty.

Put it and the original sales invoice in a safe, dry place for future reference.

ARRÊTEZ!

Vous avez des questions, des problèmes, ou des pièces manquent? Ne retournez pas chez votre détaillant.

Veuillez appeler notre service à la clientèle au: 1-888-277-6960. Notre personnel du service à la clientèle est prêt à vous fournir une assistance.

Si une pièce est endommagée ou manquante, une pièce de remplacement peut vous être expédiée rapidement de nos installations. Pour une aide immédiate à l'assemblage ou pour plus d'informations sur le produit, veuillez communiquer avec notre numéro sans frais 1-888-277-6960.

Conservez ce manuel

Ce manuel vous offre des instructions sur la sécurité, des procédures opérationnelles et votre garantie.

Gardez-le ainsi que votre facture originale dans un endroit sec et sécurisé pour référence future.