

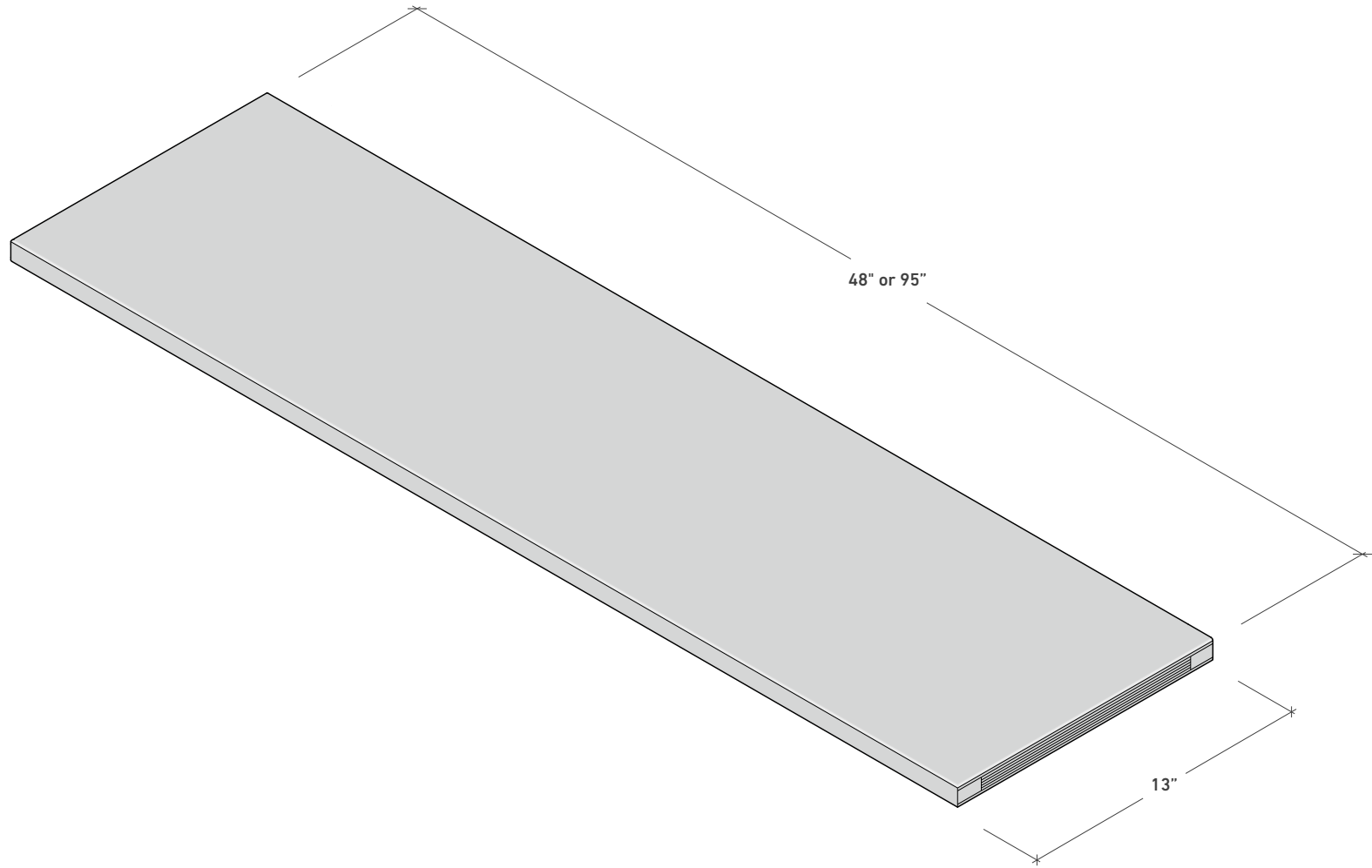
# ENGINEERED BLOCK TREAD - AXONOMETRIC VIEW

QUANTITY:

LENGTH:  
48" [1219mm]  
95" [2413mm]

GRADE:  
CHOICE  
PRIME

THIS IS A STOCKED PRODUCT. DIMENSIONS AND SPECIFICATION ARE THEREFORE NOT CUSTOMIZABLE. THIS DRAWING IS NOT A PURCHASE ORDER FORM OR ACTUAL ORDER. PLEASE REFERENCE YOUR ESTIMATE AND INVOICE FOR ADDITIONAL ORDERING INFORMATION, INCLUDING PRICE AND LEAD TIME. FOR CUSTOMIZABLE STAIR TREADS, PLEASE CONTACT SALES@MADERASURFACES.COM FOR OPTIONS.



GRAIN DIRECTION PARALLEL TO LENGTH

Client:  
Project:  
Product Type: Engineered Block Tread  
Species: European Oak  
Grade: Choice or Prime  
Finish:

Scale: Do not scale, please refer to dimensions

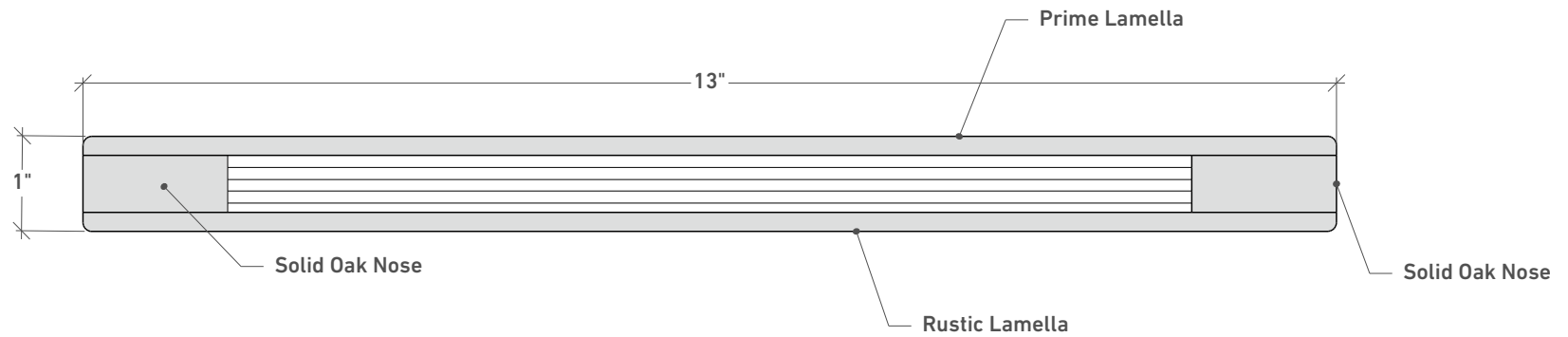
Notes:

M A D E R A

# ENGINEERED BLOCK TREAD - SECTION VIEW

QUANTITY:

THIS IS A STOCKED PRODUCT. DIMENSIONS AND SPECIFICATION ARE THEREFORE NOT CUSTOMIZABLE. THIS DRAWING IS NOT A PURCHASE ORDER FORM OR ACTUAL ORDER. PLEASE REFERENCE YOUR ESTIMATE AND INVOICE FOR ADDITIONAL ORDERING INFORMATION, INCLUDING PRICE AND LEAD TIME. FOR CUSTOMIZABLE STAIR TREADS, PLEASE CONTACT SALES@MADERASURFACES.COM FOR OPTIONS.



GRAIN DIRECTION PARALLEL TO LENGTH

Client:  
Project:  
Product Type: Engineered Block Tread  
Species: European Oak  
Grade: Choice or Prime  
Finish:

Scale: Do not scale, please refer to dimensions

Notes:

M A D E R A