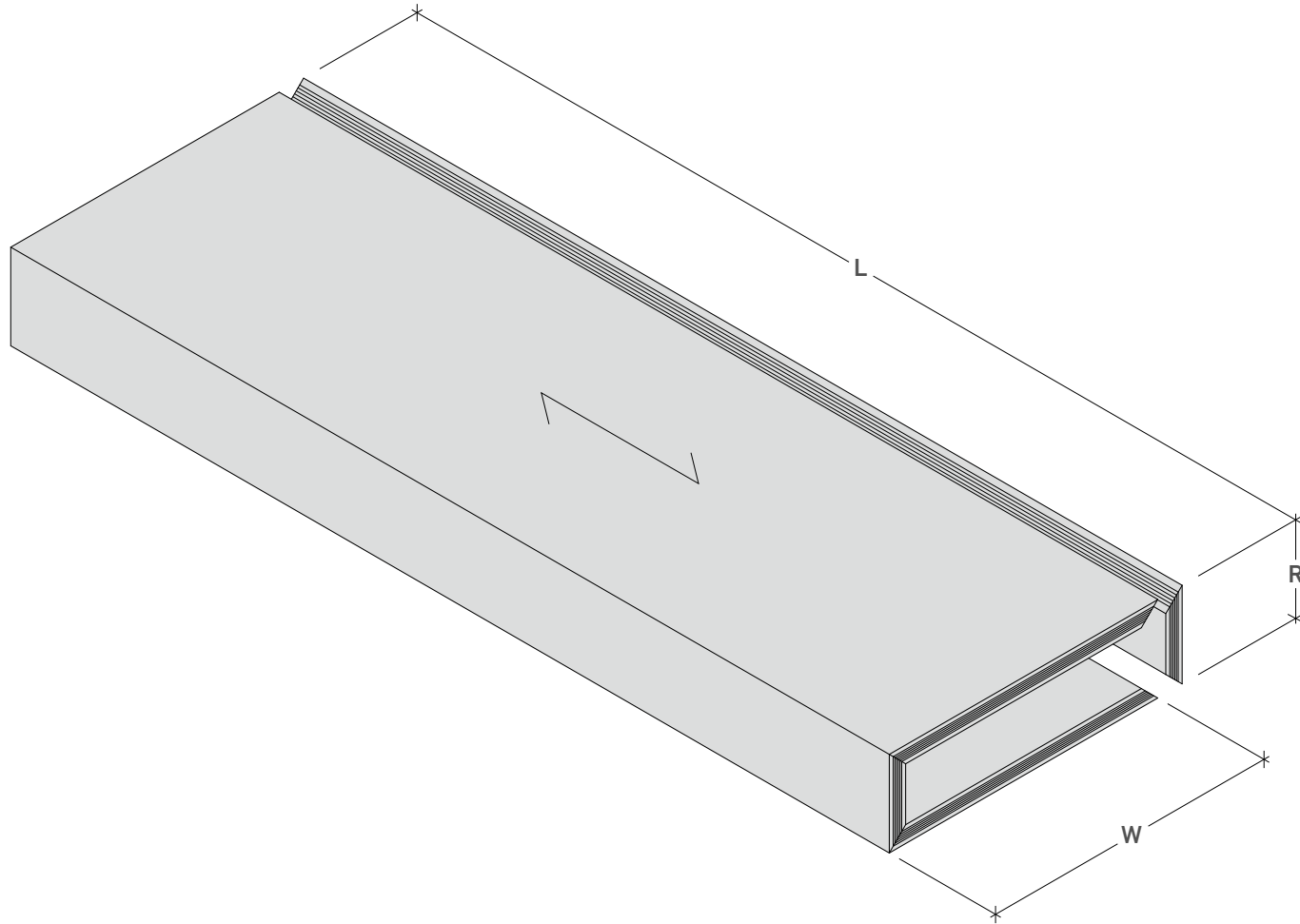


# BOX TREAD

WIDTH:  
LENGTH:  
RISE:  
FINISHED EDGE:  
QUANTITY:

THIS SHOP DRAWING IS NOT A PURCHASE ORDER FORM OR ACTUAL ORDER; APPROVED DRAWING WILL BE UTILIZED BY OUR PRODUCTION TEAM ONCE YOUR ORDER HAS BEEN ACTIVATED. PLEASE REFERENCE YOUR ESTIMATE AND INVOICE FOR ADDITIONAL ORDERING INFORMATION, INCLUDING PRICE AND LEAD TIME.



GRAIN DIRECTION INDICATED BY  $\longleftrightarrow$

Client:  
Project:  
Product Type: Engineered Box Tread  
Species:  
Grade:  
Finish:

Scale: Do not scale, please refer to dimensions

Notes:

M A D E R A