

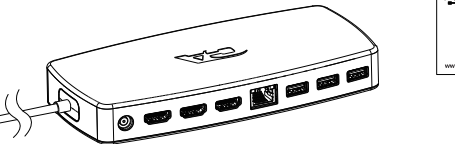
Quick Start Guide

CA Essential Universal Dock The Essential Universal Dock for Your Laptop

www.CyberAcoustics.com
CA P/N: DS-6000 Rev. A00
2022-12



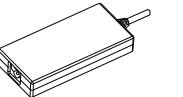
In the Package



CA Essential Universal Dock
Note: The AC Power Adapter and AC Power Cable are packed below the insert in the box. Pull out the top insert to locate below.



Quick-Start Guide



AC Power Adapter



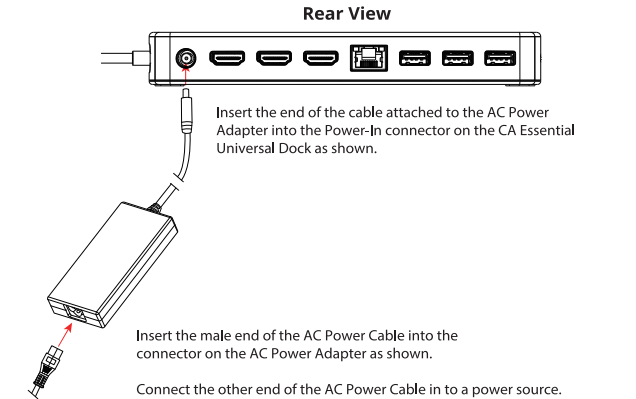
AC Power Cable

Table of Contents

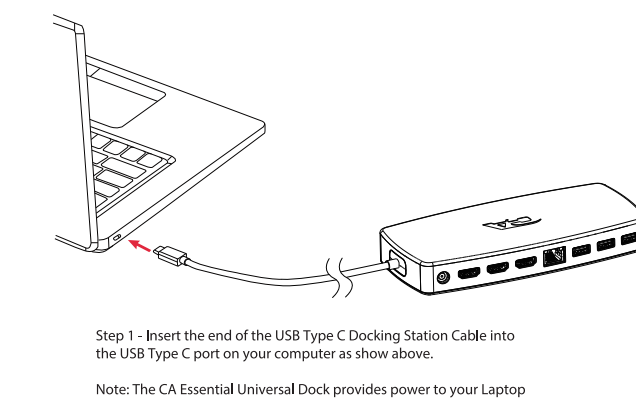
Connecting the Power to the CA Essential Universal Dock	1
Connecting the CA Essential Universal Dock to Your Laptop	2
Connecting Your Peripherals to CA Essential Universal Dock.....	3
Updating the Graphics Drivers for Your Laptop	4
Technical Specifications	5
Frequently Asked Questions	6-7
Contacting Customer Support	8
Safety and Precautions	9

Pages

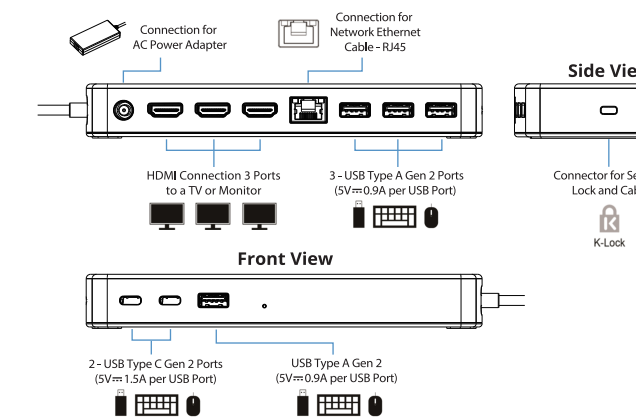
Connecting the Power to the CA Essential Universal Dock



Connecting the CA Essential Universal Dock to Your Laptop



Connecting Your Peripherals to the CA Essential Universal Dock



Updating the Graphics Drivers for Your Laptop

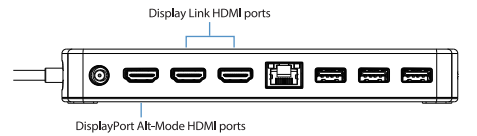
After connecting the CA Essential Universal Dock to your laptop the graphics driver may need to be updated for the best performance, please update the graphics driver from the links below. The USB Display Link HDMI ports will perform 4k@60Hz after the driver is installed.

Windows

<https://www.synaptics.com/products/displaylink-graphics/downloads/windows>

Mac OS

<https://www.synaptics.com/products/displaylink-graphics/downloads/macOS>



Video Resolution Support	HDMI1 Display Link	HDMI2 Display Link	HDMI3 DisplayPort Alt-Mode
USB-C with Display Link Driver Installed	4k@60Hz	4k@60Hz	4k@60Hz
USB-C without Display Link Driver Installed	X	X	4k@60Hz

Technical Specifications

Specifications	
Power Supplied from Docking Station	USB-C with DP alt mode: support up to 90W Power Delivery
USB ports	4 - USB 3.2 Gen 2 Type-A port (10Gb/s) 2 - USB 3.2 Gen 2 Type-C port (10Gb/s)
Video Output Ports and Supported Resolution	3 - HDMI 2.0b, HDR10, HDCP V1.3, 4K@60Hz
Ethernet	10/100/1000Mbps
AC Power Adapter (Dual Voltage)	Input 100-120V or 200-240V at 50/60Hz

Recommended system requirements	
Supported operating system	Windows10 32/64 bits, Windows11 32/64 bits, Mac OS
Operating temperature	Product working at ambient temperature for 0~35°C

Frequently Asked Questions

Frequently Asked Questions	Possible Solutions
The docking station is not working with the USB-C port on your computer	<ul style="list-style-type: none"> You may need to update your computer's BIOS and computer graphic drivers to the latest versions. Please refer to your Laptop manufactures User Manual for specific instructions on how to update the BIOS and graphics drivers. Older BIOS versions and drivers could result in your computer not recognizing the docking station or not functioning optimally.
The docking station adapter is not charging your computer through the USB-C port	<ul style="list-style-type: none"> The docking station adapter supports up to 90W max Power Delivery. The minimal power requirement for charging is platform dependent. Please refer the minimal power requirement in your platform user manual.
Unable to read and write to an external SSD/HDD and optical (CD/DVD/Blu-ray) drive when connected to the dock	<ul style="list-style-type: none"> Some external SSD/HDD/Optical drives require higher power than what your docking station adapter can support. It is recommended that you connect external SSD/HDD/Optical drive to your computer directly.
Power surge message pops up when connecting a peripheral to the docking station adapter	<ul style="list-style-type: none"> The peripheral you connected to the docking station adapter needs more power. Disconnect other peripherals connected to the docking station adapter. For high-power peripherals, it is recommended to connect the peripheral to your computer directly. All devices will disconnect when connecting a high-power device to a USB port that is over the USB current limitation. A power surge message will be shown on the Laptop. You can remove the high-power device and the other low power device will recover automatically. This message for the power surge will not impact video functions.

Frequently Asked Questions

Frequently Asked Questions	Possible Solutions
Resolution on the monitor is lower than 4K at 60 Hz when connected to the HDMI of the Docking Station	<ul style="list-style-type: none"> Supports three ports (HDMI) up to 4K resolution at 60 Hz . Driver needed for Display Link HDMI ports. Please check page 4.
Multiple displays are not working	<ul style="list-style-type: none"> The docking station adapter supports three display out and if unable to display. You can connect a peripheral to the HDMI port monitor one at a time to verify the display issue. Three Mirrored monitors are supported on Windows, Mac OS. Three Extended monitors are supported on Windows, Mac OS.
No Video on the monitor when attached to the docking station	<ul style="list-style-type: none"> Check the video connection cables. Disconnect the monitor from the docking station and wait for 10 seconds then re-connect the monitor. Check if driver is installed (refer to page 4)
Video on the attached monitor is distorted or corrupted	<ul style="list-style-type: none"> Check the video connection cables. Check and update the video resolution under Settings > Display > Display resolution
Video on the attached monitor is not displayed in extended mode	<ul style="list-style-type: none"> Change the setting under Settings > Display > Multiple displays Switch modes by pressing the Windows Key (⊞) + P
The docking station is not working when the USB- C cable is connected with a USB-C to USB-A adapter to your computer.	<ul style="list-style-type: none"> The docking station cannot guarantee support for all types of USB-C to USB-A adapters. Not all USB-C to USB-A adapters have a high level of design quality needed for the high data speeds to support the docking station. If possible please choose a USB-C to USB-A adapter from a reliable brand.

Customer Support

If you have a question about your CA Essential Universal Dock our Customer Support Team wants to assist you.

Contact us at:

www.cyberacoustics.com/support/contact

Safety and Precautions

- Read and follow all instructions – All operating and use instructions should be followed.
- Protect the AC Power Adapter and Cable from being pinched, particularly at the connectors. Unplug during lightning storms or when unused for long periods of time.
- Do not place near any heat sources such as radiators, heat registers, stoves, or other apparatus (including amplifiers) that produce heat.
- Do not make alterations to the Docking Station.
- Do not place near naked flame sources, such as lighted candles.
- Do not expose to excessive heat (e.g. from storage in direct sunlight, fire or the like)
- Use with Listed Information Technology Equipment only.

2020 Cyber Acoustics or its subsidiaries. All rights reserved. Cyber Acoustics and other trademarks are trademarks of Cyber Acoustics or its subsidiaries. Other trademarks may be trademarks of their respective owners.