

LaYR 4.0 SQUARE FIXED DOWNLIGHTS

DESIGNER Series (Up to 2000 Lumens)

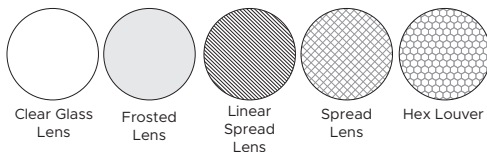


Image Above Shown With 50mm Optic, High Cut Off, Black Baffle and Black Trim Ring

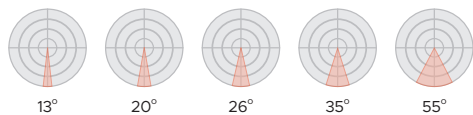
TRIM & BAFFLE FINISHES



ACCESSORIES



50mm Beam Optics:



The LaYR 4.0 Square Fixed Designer downlight is a versatile lighting solution that can adapt to different lighting needs and style preferences. Its design includes a 4" aperture with square baffle, offering users 5 distinct optical options to adjust the beam spread. With a lumen output range of 500 to 2000 lumens, it can provide sufficient illumination for various purposes, such as accent lighting or general illumination. In addition, this downlight offers a High Cut-off baffle that provides a shielding angle of 54 degrees and a cut off angle of 35 degrees.

To add to its adaptability, the downlight can be further customized by choosing from a range of baffle and trim finishes, drivers, housings, and accessories. This customization allows users to create a unique downlight that fits their specific requirements and style preferences.

FLANGED TRIM

TRIMLESS



SPECIFICATIONS

Designer Series	
lm/W	127
Lumen Output	500 - 2000lm
Luminaire Height	5 3/4"
Optic Size	50mm
Aperture @ Optic	Square
Beam Optics	13°, 20°, 26°, 35°, 55°
Baffle Type	High Cut Off (Depth 1 7/8") Cut Off Angle - 35° Shielding Angle - 54°
Trim Type	Flange Trim, Trimless
Baffle & Trim Finishes	White, Black, Satin Silver & Champagne
CRI -80 (2-Step)	35K & 40K
CRI - 90 (2-Step)	27K, 30K, 35K, 40K *90 CRI Option has an R9 Value Greater than 50
Ceiling Thickness Range	(min) 3/8" - (max) 1 1/2"
Hole Cut Size	4 3/8" (REM) - 4 1/2" (OF/IC)
Accessories Options	Hex Louver, Frosted Lens, Linear Spread Lens, Spread Lens, Clear Lens
Accessories Qty	Up to 2
Drivers	0-10V, TRIAC, ELV, Lutron Ecosystem, DALI, (Optional Emergency Battery)
Dimming	1%, 5%, 0.1%
Voltage	120-277 Volt
Housing	Non-IC, IC Rated, Remodel
Lumen Maintenance	80,000
Power Factor	> .95
THD	< 20kHz
Approved Location	Dry/Damp/Wet
Certifications	UL 1598/UL 2108 Listed US and Canada

Specifications may change without notice.

Ordering Guide

HOUSING



LIGHT ENGINE & BAFFLE



OPTIONS

NOTES:



Suitable for Damp locations.



Covered Ceiling Mount Only

HOUSING & DRIVER

A. MODEL	B. TRIM	C. HOUSING STYLE	D. MOUNTING	E. LUMEN OUTPUT
LFXQ4 Square Fixed 4in	FT Flange Trim SF Spackle Flange Trimless MW Millwork	OF Open Frame (Non-IC) (Rough-In Mounting Plate) w/ 5/8" Collar IC IC Rated Housing w/ 5/8" Collar CP Chicago Plenum RM Remodel (Non-IC)	SMB Standard Mounting Bars Min: 14.25" / Max: 26" ACB Adjustable Commercial Bar Hanger (Includes C-Channel Bracket and Heavy Duty Bar Hangers) Min: 11" / Max: 26.75" REM Remodel	500 500 lm, 5W 750 750 lm, 8W 1000 1000 lm, 10W 1250 1250 lm, 12W 1500 1500 lm, 15W 1750 1750 lm, 18W 2000 2000 lm, 22W
	RM housing Style and REM mounting required for Millwork	Additional ceiling collar depths available in (H) Options below OF and RM Non-IC rated cannot come in contact with insulation.	ACB must be selected at initial order	Narrow spot max is 1500 lm based on Baffle choice see cross reference below 1750 lm max for dual dim. Please see driver matrix for additional details
F. VOLTAGE	G. DRIVER	H. HOUSING OPTIONS (May choose multiple options below)		
UNV 120-277v	S1 1% Dimming (0 - 10v) DD Dual Dimming (2-wire dimming - Triac/ELV/Phase Cut - 5% Dimming) SAX 1% Dim with Aux PEQ Lutron, Hi-Lume Premier EcoSystem 0.1% Fade to Black ELO EldoLED 0.1% Dim to Dark driver DALI DALI 2.0 Compatible	NN NONE EB Emergency Battery (6-Watt) RD Remote Driver (Consult Factory) C1 1" Ceiling Depth Collar C5 1.5" Ceiling Depth Collar AWNR Lutron Athena Wireless Node (RF- only)		
	SAX Driver Code is required for the Athena Wireless Node 1750 lm max for dual dim.	AWNR Requires SAX Driver Code		

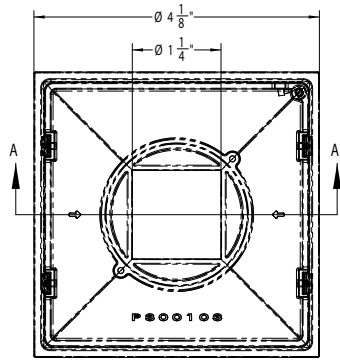
LIGHT ENGINE & BAFFLE

I. LIGHT ENGINE	J. BAFFLE TYPE	K. BEAM OPTICS	BAFFLE/BEAM ANGLE/ MAX LUMENS CROSS REFERENCE																					
FDQ4 Fixed Designer Square 4in 50mm Optic (HQ) Square/Square	Flange Trim HQF High Cut Off Flanged Spackle Flange Trimless HQS High Cut Off Spackle	50mm Optic 13 Narrow Spot 13° 20 Spot 20° 26 Narrow Flood 26° 35 Flood 35° 55 Wide Flood 55°	<table border="1"> <thead> <tr> <th rowspan="2">BAFFLE TYPE</th> <th colspan="5">Designer Square/Square 50mm Optic</th> </tr> <tr> <th>13°</th> <th>20°</th> <th>26°</th> <th>35°</th> <th>55°</th> </tr> </thead> <tbody> <tr> <td>HQF or HQS</td> <td>1250</td> <td>2000</td> <td>2000</td> <td>2000</td> <td>2000</td> </tr> </tbody> </table>					BAFFLE TYPE	Designer Square/Square 50mm Optic					13°	20°	26°	35°	55°	HQF or HQS	1250	2000	2000	2000	2000
BAFFLE TYPE	Designer Square/Square 50mm Optic																							
	13°	20°	26°	35°	55°																			
HQF or HQS	1250	2000	2000	2000	2000																			
		Refer to Beam/Max Lumens cross reference	Note: Maximum Lumens based on 3500K 80CRI test values with no accessories. Beam angles do change with certain accessories																					
L. BAFFLE FINISH	M. TRIM FINISH	N. CRI COLOR TEMP.	OPTIONS		OPTIONS																			
WH White BK Black SS Satin Silver CG Champagne CC Custom Color	WH White BK Black SS Satin Silver CG Champagne CC Custom Color NN None (Required with spackle flange Only)	835 80 CRI; 3500K 840 80 CRI; 4000K 927 90 CRI; 2700K 930 90 CRI; 3000K 935 90 CRI; 3500K 940 90 CRI; 4000K	O. ACCESSORIES HL Hex Louver CL Clear Glass FG Frosted Glass SG Striped Glass (Linear Spread) XG Check Glass (Spread)		P. FACTORY OPTIONS SSC Seismic Safety Cable WET Wet Location																			
		*90 CRI Option has an R9 Value Greater than 50	Other accessories may be available, consult factory.																					
	NN: Spackle Flange Trimless	All CCT are 2 Step MacAdam Ellipse																						

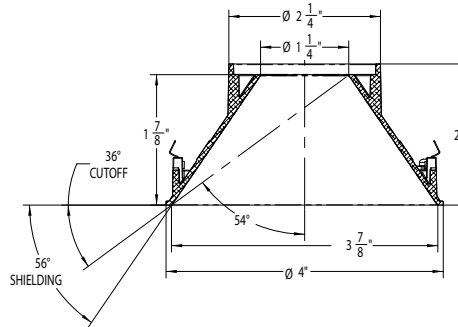
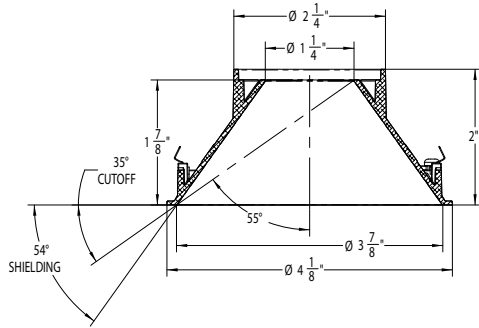
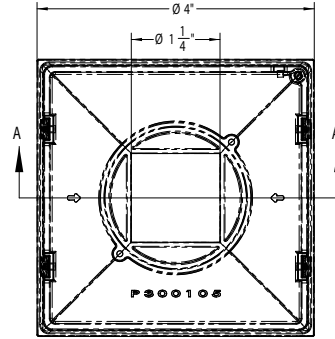
Specifications may change without notice.

FIXTURE DIMENSIONS

Trimless

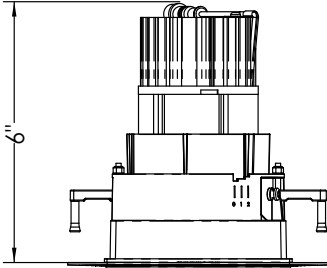


Trim



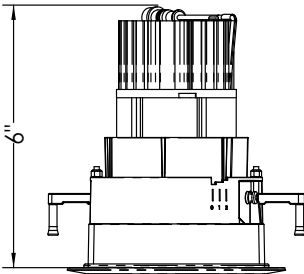
HEAT SINK DIMENSIONS

TRIMLESS



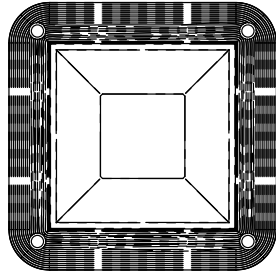
LFXQ4-SF
Up to 2000 Lumens

TRIM



LFXQ4-FT
Up to 2000 Lumens

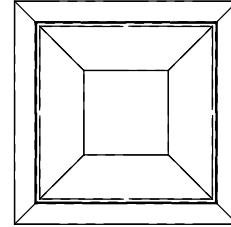
TRIM DIMENSIONS



TRIMLESS

CEILING CUTOUT
4-3/8" (REM) : 4-1/2" (OF/IC)

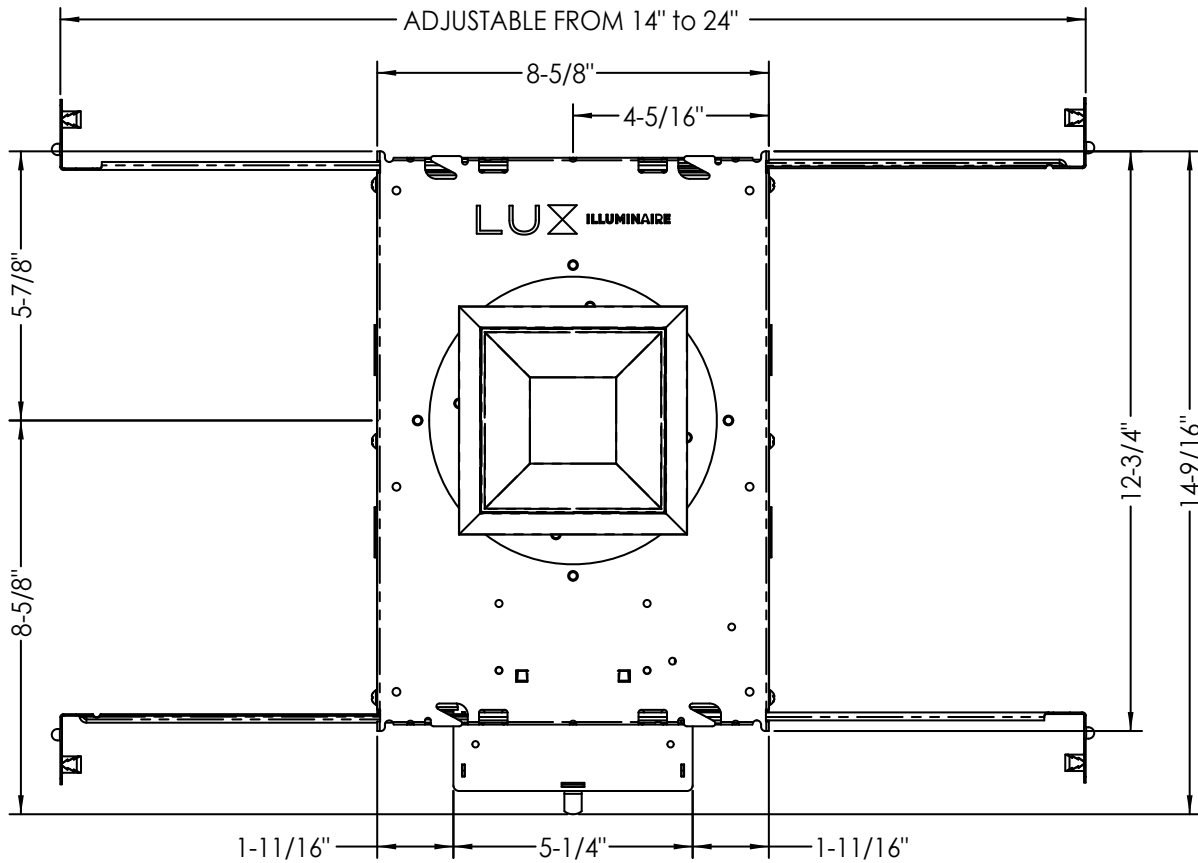
CEILING THICKNESS
(min) 3/8" - (max) 1/1/2"



FLANGE TRIM

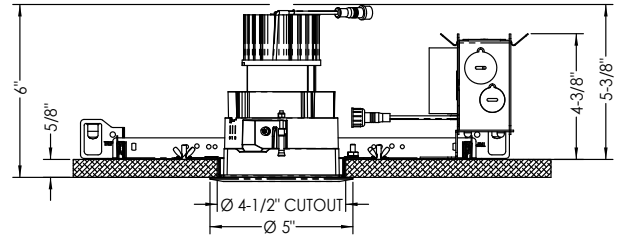
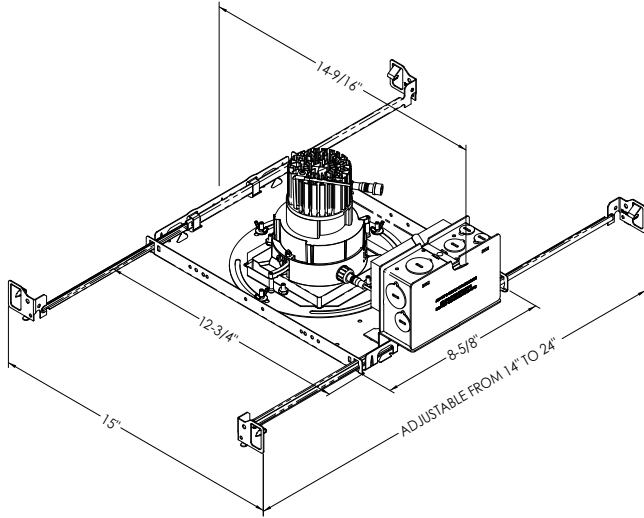
CEILING CUTOUT
4-3/8" (REM) : 4-1/2" (OF/IC)

CEILING THICKNESS
(min) 3/8" - (max) 1/1/2"

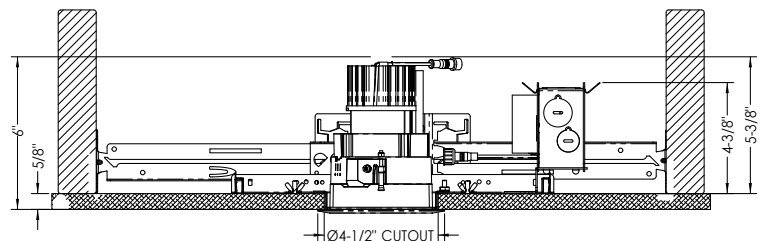
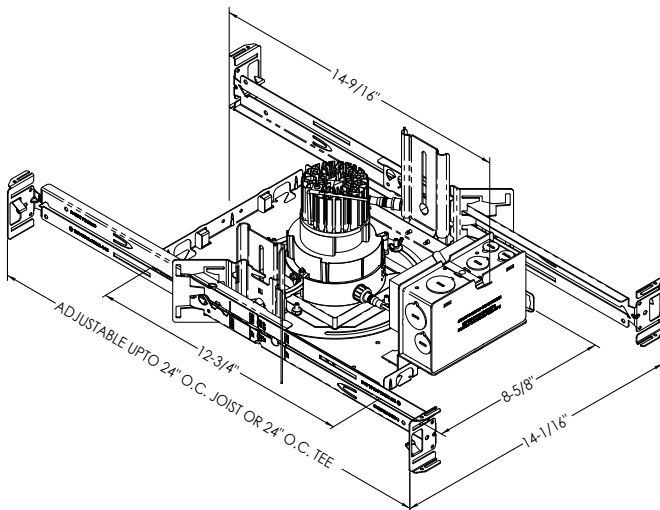


Open Frame

Standard Heat Sink with Standard Mounting Bars (SMB)

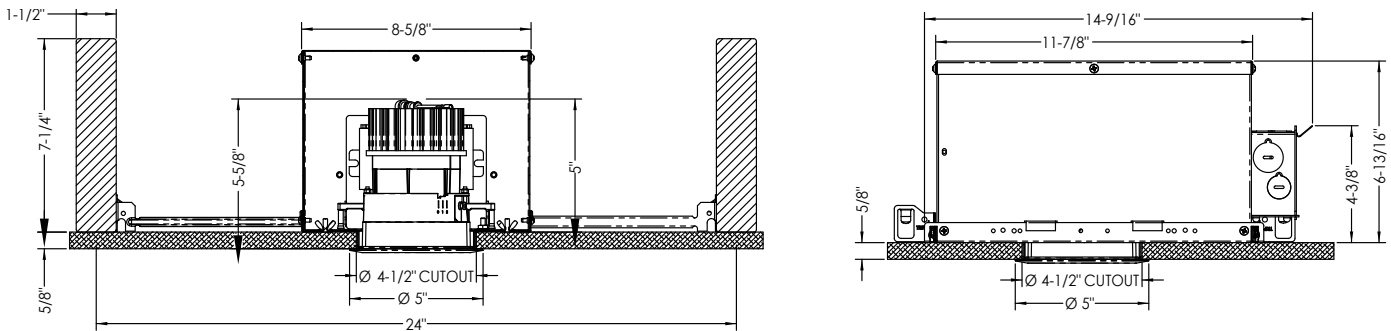


Standard Heat Sink with Adjustable Commercial Bar Hanger (ACB)

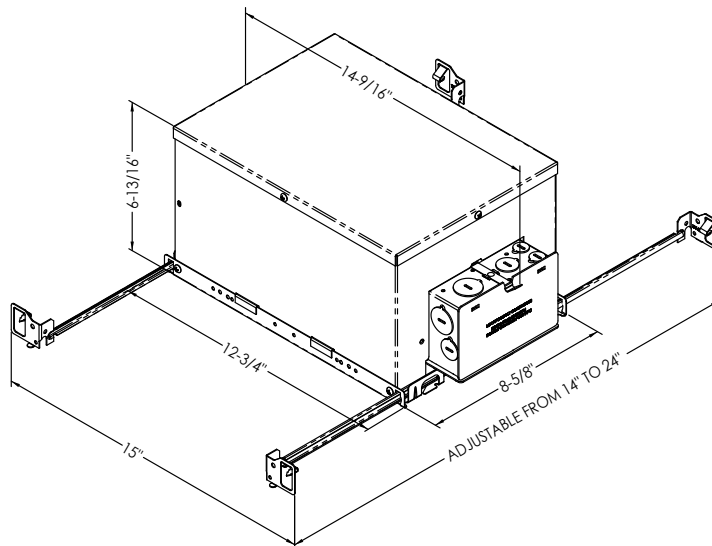
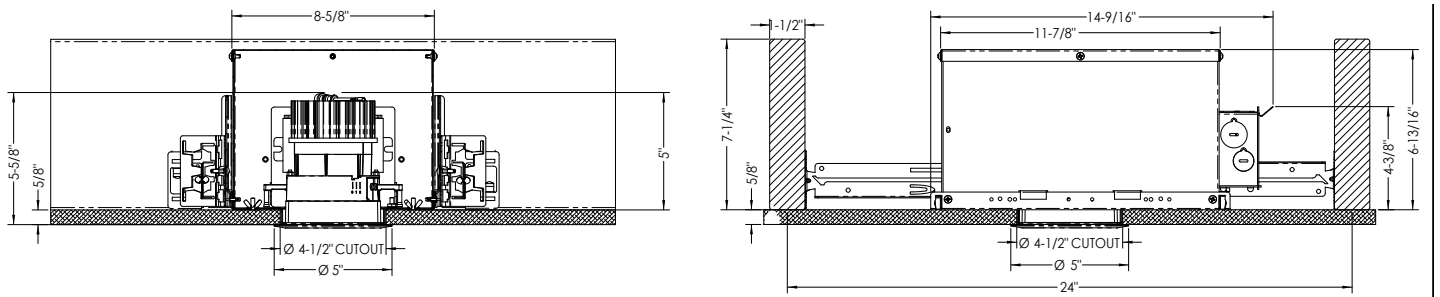


IC Frame

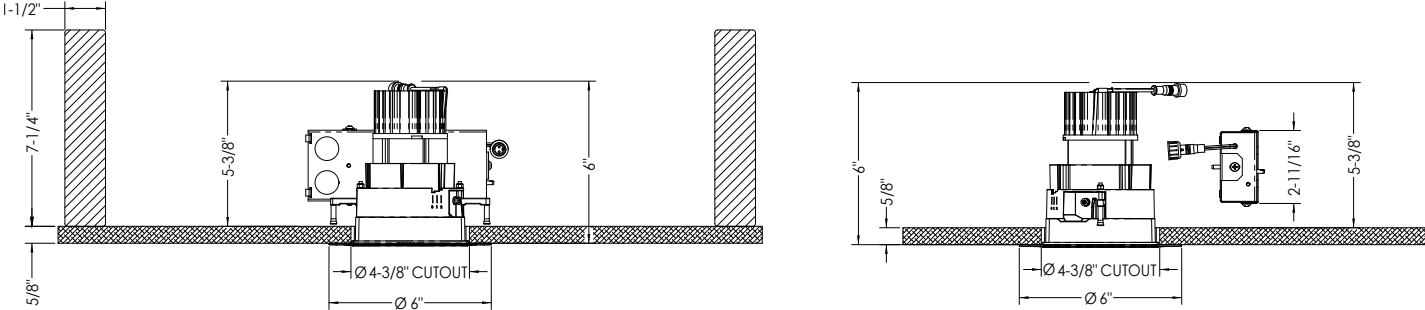
Standard Heat Sink with Standard Mounting Bars (SMB)



Standard Heat Sink with Adjustable Commercial Bar Hanger (ACB)



Remodel



DRIVER HOUSING MOUNTING OPTIONS

REMOTE HOUSING

