



Image Above Shown With Smooth Black Baffle and Black Trim Ring

TRIM & BAFFLE FINISHES



White
WH



Black
BK



Satin
Silver
SS



Champagne
CG



Suitable for Damp locations.



Covered Ceiling Mount Only



The LaYR recessed wall wash downlights are designed to offer high performance and enhance interior environments with exceptional optical performance, comfort, and industry-leading wall wash capability. They are carefully engineered to ensure effective and uniform illumination across vertical surfaces like walls, resulting in a visually pleasing atmosphere. This makes them a great choice for applications where highlighting vertical elements or creating a specific ambiance is important. Whether it's in retail spaces, museums, galleries, hospitality venues, residential settings, or commercial buildings, these downlights are designed to deliver reliable and visually impressive lighting solutions.

FLANGED TRIM



TRIMLESS



SPECIFICATIONS

lm/W	110
Lumen Output	500 - 3250lm
Luminaire Height	5 3/8" up to 2500 / 6 15/16" > 3000 Lumens
Optic Size	70mm
Beam Optics	38°
Baffle Type	Smooth Finish
Trim Type	Flange Trim, Trimless
Baffle & Trim Finishes	White, Black, Satin Silver & Champagne
CRI - 80 (2-Step)	35K & 40K
CRI - 90 (2-Step)	27K, 30K, 35K, 40K *90 CRI Option has an R9 Value Greater than 50
Ceiling Thickness Range	(min) 3/8" - (max) 1 1/2"
Hole Cut Size	4 3/8" (REM) - 4 1/2" (OF/IC)
Drivers	0-10V, TRIAC, ELV, Lutron Ecosystem, DALI, (Optional Emergency Battery)
Dimming	1%, 5%, 0.1%
Voltage	120-277 Volt
Housing	Non-IC, IC Rated, Remodel
Lumen Maintenance	80,000
Power Factor	> .95
THD	< 20kHz
Approved Location	Dry/Damp/Wet
Certifications	UL Listed, CCEA

LaYR 4.0 SQUARE DOWNLIGHTS

Wall Wash Series (Up to 3250 Lumens)



Ordering Guide

HOUSING

LFXQ4								
A	B	C	D	E	F	G	H	

LIGHT ENGINE & BAFFLE

WWQ4						
I	J	K	L	M	N	O

OPTIONS

NOTES:



SAFETY US-CA
Suitable for Damp locations.



WET LISTED
Covered Ceiling Mount Only



HOUSING & DRIVER

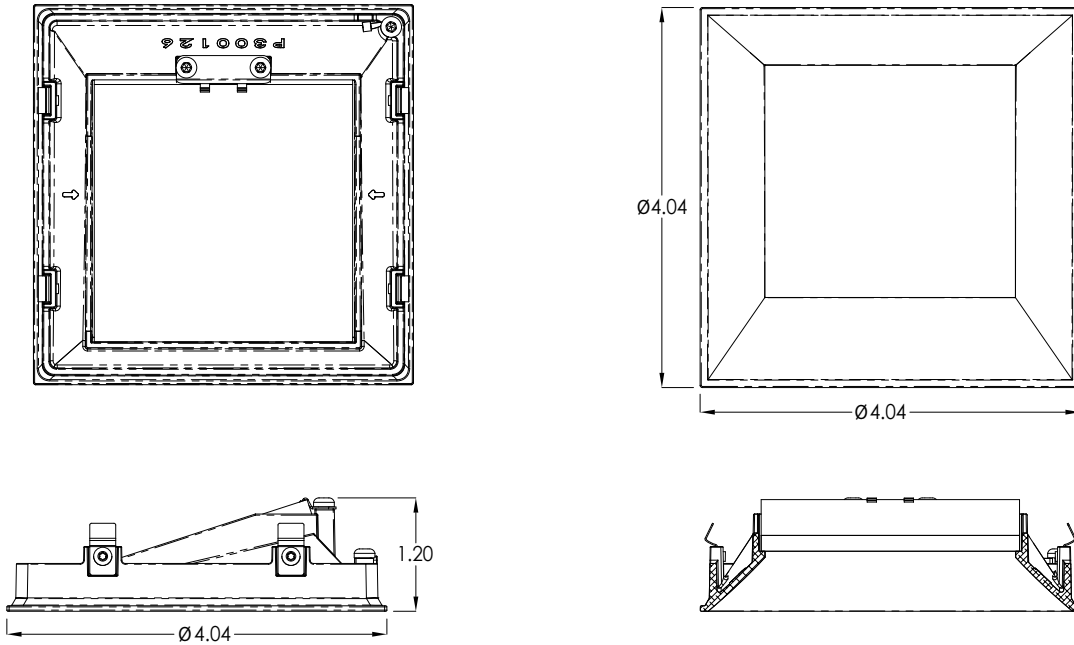
A. MODEL	B. TRIM	C. HOUSING STYLE	D. MOUNTING	E. LUMEN OUTPUT
LFXQ4 Square Fixed 4in	FT Flange Trim SF Spackle Flange Trimless MW Millwork	OF Open Frame (Non-IC) (Rough-In Mounting Plate) w/ 5/8" Collar IC IC Rated Housing w/ 5/8" Collar RM Remodel (Non-IC) CP Chicago Plenum	SMB Standard Mounting Bars Min: 14.25" / Max: 26" ACB Adjustable Commercial Bar Hanger (Includes C-Channel Bracket and Heavy Duty Bar Hangers) Min: 11" / Max: 26.75" REM Remodel	500 500 lm, 6W 750 750 lm, 8W 1000 1000 lm, 10W 1250 1250 lm, 12W 1500 1500 lm, 14W 1750 1750 lm, 16W 2000 2000 lm, 20W 2500 2500 lm, 25W 3000 3000 lm, 30W 3250 3250 lm, 35W
	RM housing Style and REM mounting required for Millwork Millwork installation template kit available (order separately)	Additional ceiling collar depths available in (H) Options below OF and RM Non-IC rated cannot come in contact with insulation.	ACB must be selected at initial order	Please see driver matrix for additional details
F. VOLTAGE	G. DRIVER	H. HOUSING OPTIONS (May choose multiple options below)		
UNV 120-277v	S1 1% Dimming (0 - 10v) DD Dual Dimming (2-wire dimming - Triac/ELV/Phase Cut - 5% Dimming) SAX 1% Dim with Aux PEQ Lutron, Hi-Lume Premier EcoSystem 0.1% Fade to Black ELO EldoLED 0.1% Dim to Dark driver DALI DALI 2.0 Compatible	NN NONE EB Emergency Battery (6-Watt) RD Remote Driver (Consult Factory) C1 1" Ceiling Depth Collar C5 1.5" Ceiling Depth Collar AWNRLutron Athena Wireless Node (RF- only)		
	SAX Driver Code is required for the Athena Wireless Node 1750 lm max for dual dim.	Requires SAX Driver Code		

LIGHT ENGINE & BAFFLE

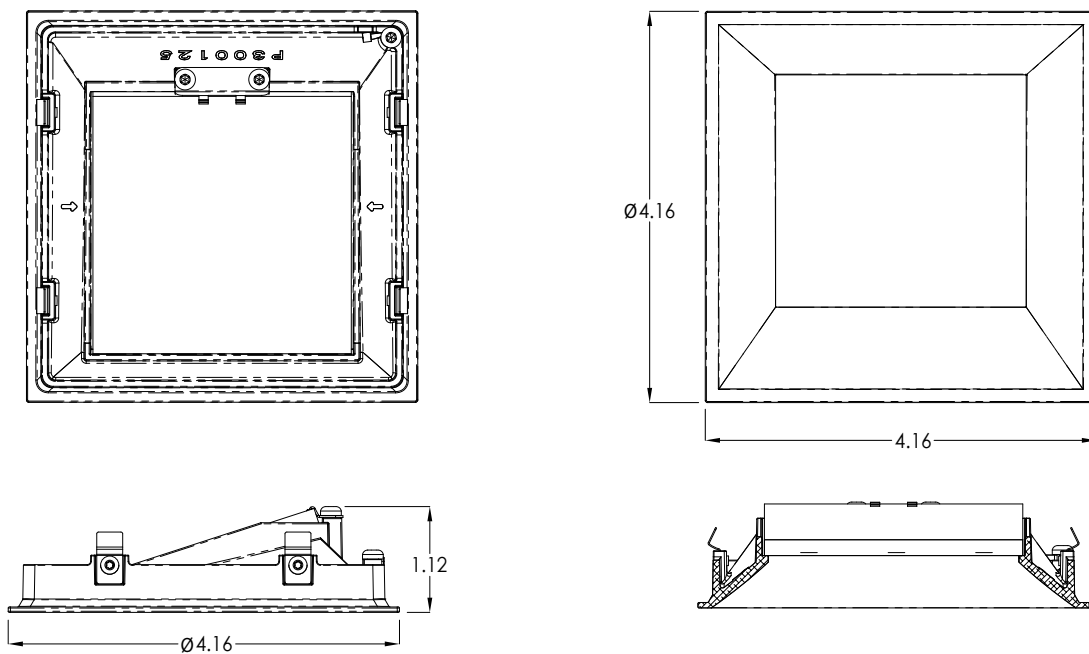
I. LIGHT ENGINE	J. BAFFLE TYPE	K. BEAM OPTICS	L. BAFFLE FINISH	M. TRIM FINISH
WWQ4 Wall Wash Performance Square 4in 70mm Optic	Flange Trim WWQF Wall Wash Round Smooth Flanged Spackle Flange Trimless WWQS Wall Wash Round Smooth Spackle	70mm Optic 38 Flood 38°	WH White BK Black SS Satin Silver CG Champagne CC Custom Color	WH White BK Black SS Satin Silver CG Champagne CC Custom Color NN None (Required with spackle flange Only)
			White Black Satin Silver Champagne	NN: Spackle Flange Trimless
N. CRI COLOR TEMP.	OPTIONS			
835 80 CRI; 3500K 840 80 CRI; 4000K	O. FACTORY OPTIONS			
927 90 CRI; 2700K 930 90 CRI; 3000K 935 90 CRI; 3500K 940 90 CRI; 4000K	SSC Seismic Safety Cable WET Wet Location			
*90 CRI Option has an R9 Value Greater than 50				
All CCT are 2 Step MacAdam Ellipse				

FIXTURE DIMENSIONS

Trim - Smooth

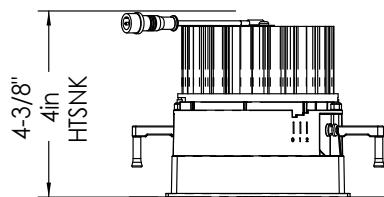


Trimless - Smooth

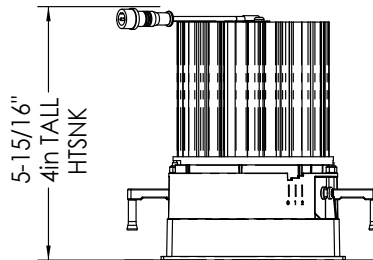


HEAT SINK DIMENSIONS

TRIMLESS

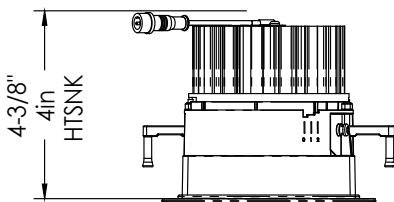


LFXQ4
Up to 2500 Lumens

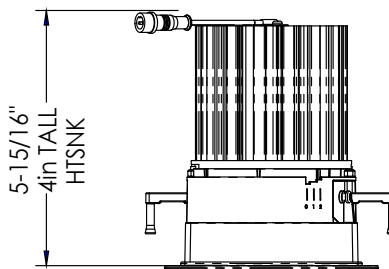


LFXQ4
Up to 3250 Lumens

FLANGED TRIM



LFXQ4
Up to 2500 Lumens



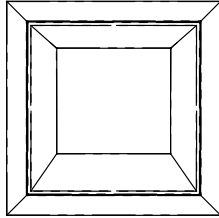
LFXQ4
Up to 3250 Lumens

HEAT SINK DIMENSIONS

LUMENS UP TO 2500, 4 3/8" HEAT SINK LUMENS UP TO 3250, 5 15/16" Heat Sink

WWQ4	X	
WWQ4		X

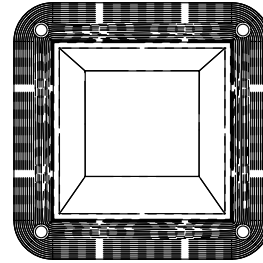
TRIM DIMENSIONS



TRIM

CEILING CUTOUT
 4-3/8" (REM) : 4-1/2" OF/IC

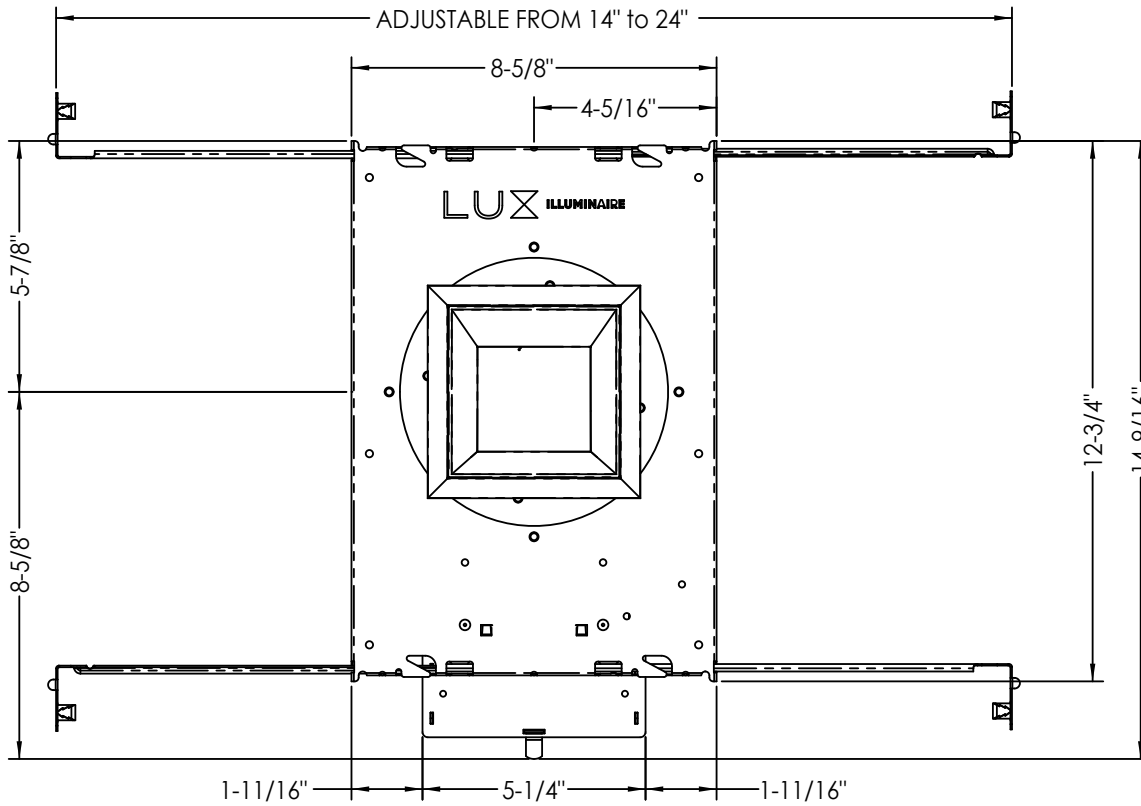
CEILING THICKNESS
 (min) 3/8" - (max) 1-1/2"



TRIMLESS

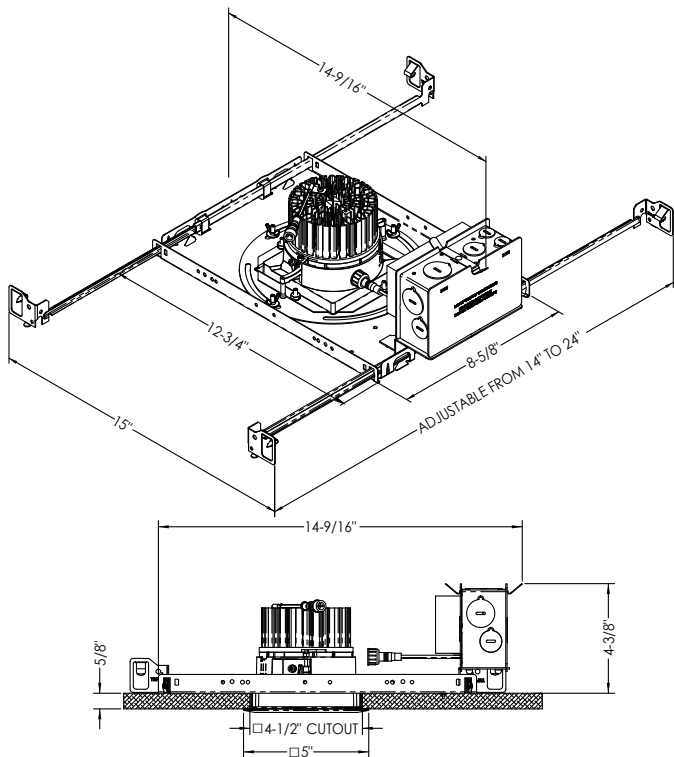
CEILING CUTOUT
 4-3/8" (REM) : 4-1/2" OF/IC

CEILING THICKNESS
 (min) 3/8" - (max) 1-1/2"

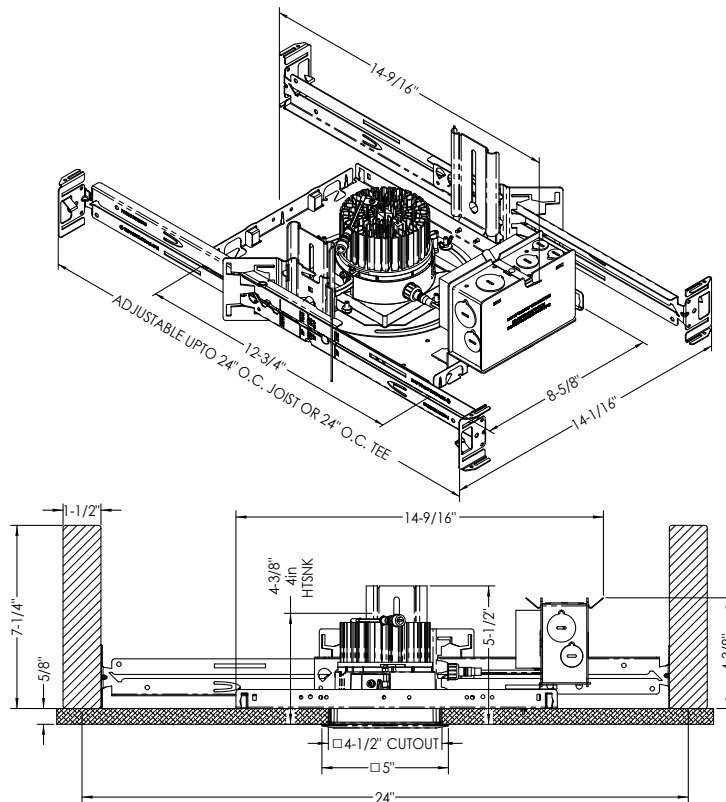


Open Frame

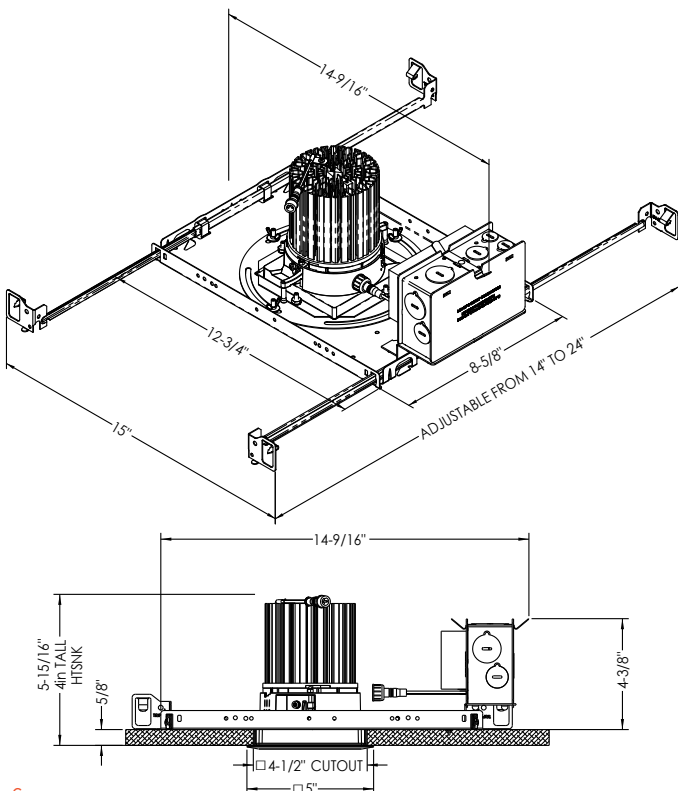
Standard Heat Sink with Standard Mounting Bars (SMB)



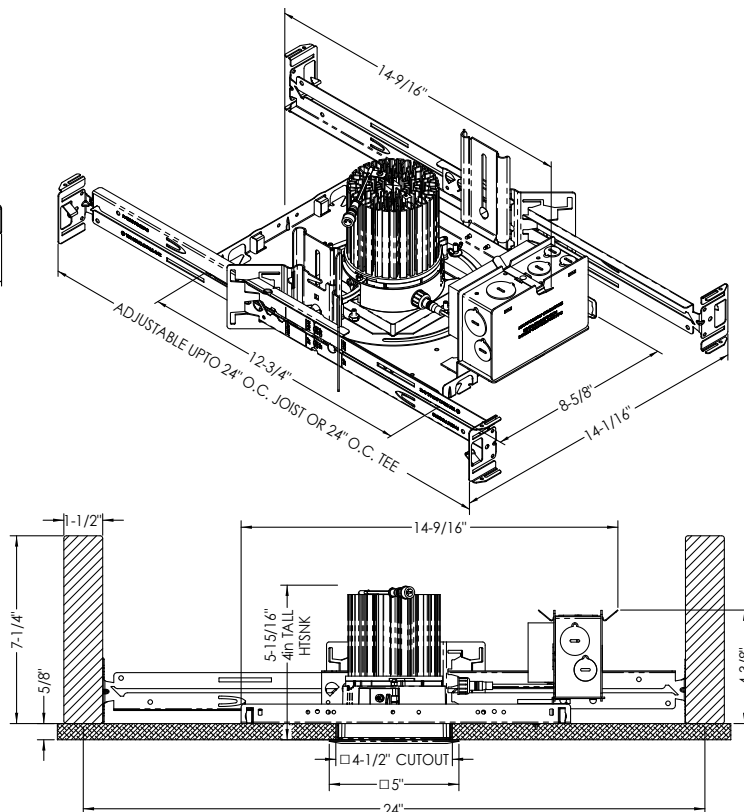
Standard Heat Sink with Adjustable Commercial Hanging Bars (ACB)



Tall Heat Sink with Standard Mounting Bars (SMB)

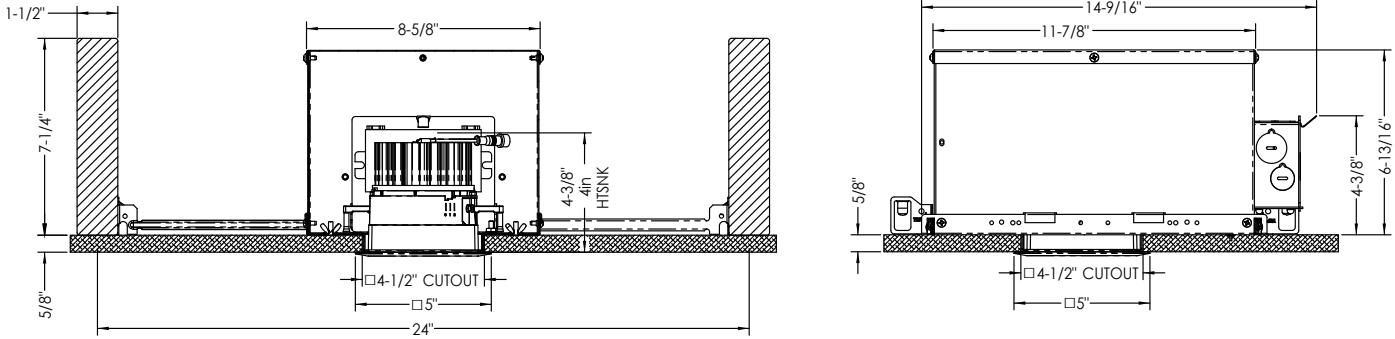


Tall Heat Sink with Adjustable Commercial Hanging Bars (ACB)

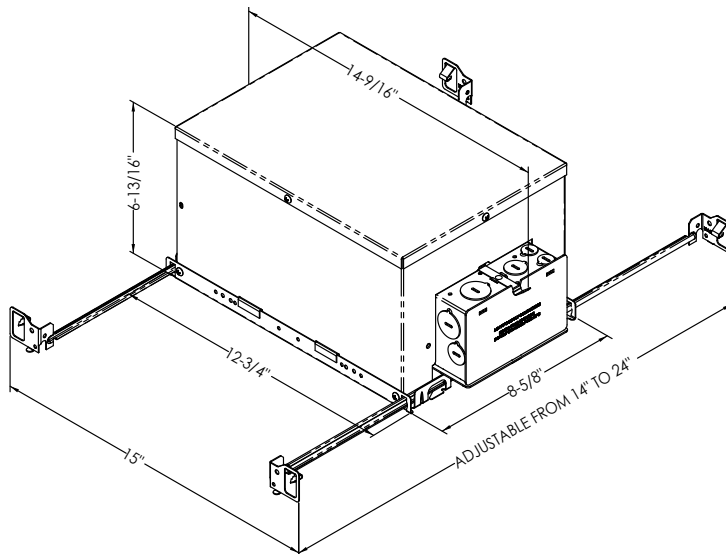
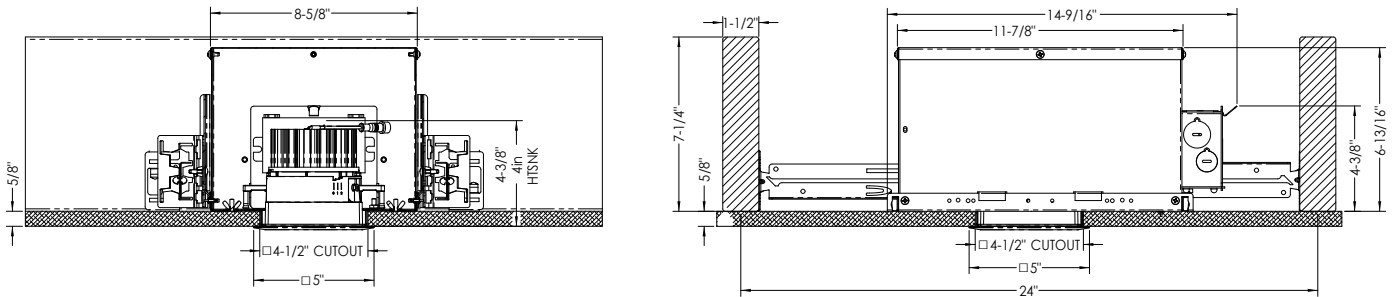


IC Frame

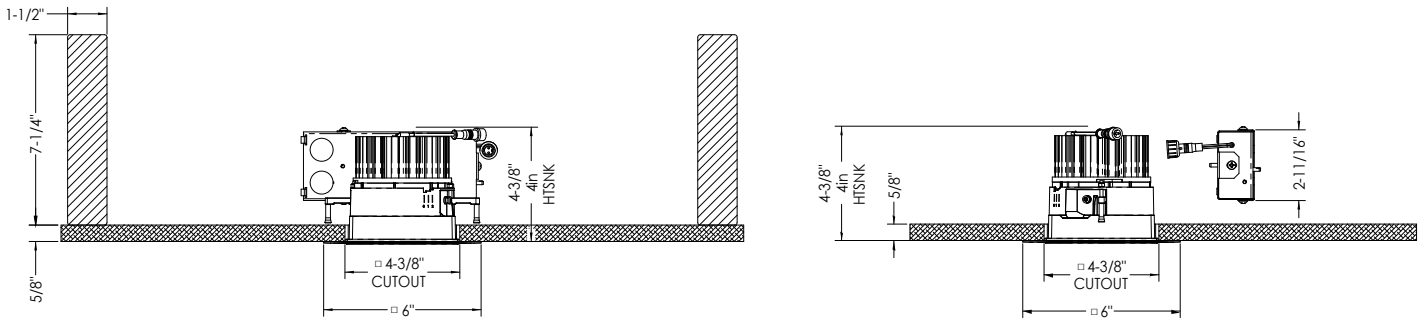
Standard Heat Sink with Standard Mounting Bars (SMB)



Standard Heat Sink with Adjustable Commercial Bar Hanger (ACB)



Remodel



DRIVER HOUSING MOUNTING OPTIONS

REMOTE HOUSING

