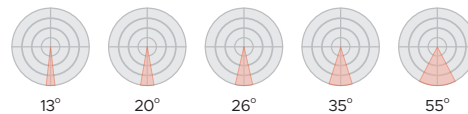


Tranquil Lighting—the Halcyon pendant seamlessly merges contemporary grace with a serene ambiance. Its acoustically designed exterior shape not only absorbs sound but also reduces reverberation. With an integrated 2” or 4” luminaire at its core, it emanates the perfect ambient light. Incorporating the Halcyon into spaces like lobbies, private offices, collaborative areas, or breakrooms adds a quintessential and functional touch. Choose from a diverse selection of sizes, shapes, and colors to match your preferences. This pendant family offers a lumen output range of 500 to 4000 lumens, ensuring abundant illumination for various needs.

50mm Beam Optics:



STYLE COLORS

STANDARD FINISHES



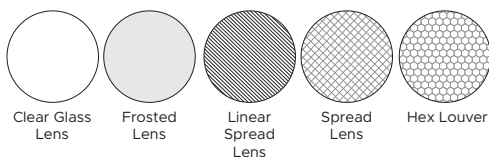
SPECIALTY FINISHES



BAFFLE FINISHES



ACCESSORIES



SPECIFICATIONS	
Im/W	Up To 127
Lumen Output	500 - 2000lm
Beam Optics	13°, 20°, 26°, 35°, 55°
Baffle Type	Deep Smooth Finish (Depth 1")
	Deep Milli-Groove (Depth 1")
Baffle & Trim Finishes	White, Black, Satin Silver & Champagne
CRI -80 (2-Step)	35K & 40K
CRI - 90 (2-Step)	27K, 30K, 35K, 40K *90 CRI Option has an R9 Value Greater than 50
Accessories Options	Hex Louver, Frosted Lens, Linear Spread Lens, Spread Lens, Clear Lens
Accessories Qty	One
Drivers	0-10V, TRIAC, ELV, Lutron Ecosystem, DALI
Dimming	1%, 5%, 0.1%
Voltage	120-277 Volt
Lumen Maintenance	80,000
Power Factor	> .95
THD	< 20kHz
Approved Location	Dry/Damp
Certifications	UL Listed

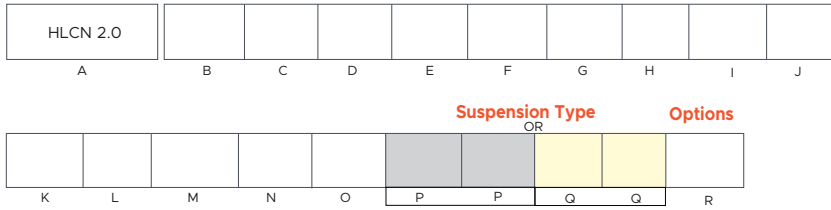


Suitable for Damp locations.

Specifications may change without notice.

Model Sequence

Ordering Guide



NOTES:



SAFETY US-CA
Suitable for Damp locations.



ACOUSTIC PENDANT

A. MODEL	B. STYLE	C. DISTRIBUTION
HLCN 2.0	ROUND Pendant RD2-12 - 2" Cylinder - 11" x 11" RD2-18 - 2" Cylinder - 18" x 18"	D Direct
	DRUM Pendant DR2-12 - 2" Cylinder - 15" x 11" DR2-18 - 2" Cylinder - 23" x 18"	
	FLARE Pendant FL2-12 - 2" Cylinder - 15" x 11" FL2-18 - 2" Cylinder - 26" x 18"	
	TAPERED Pendant TP2-12 - 2" Cylinder - 12" x 11" TP2-18 - 2" Cylinder - 19" x 18"	
	MONOLITH Pendant MN2-12 - 2" Cylinder - 8" x 11" MN2-18 - 2" Cylinder - 14" x 19"	
	CONVEX Pendant CX2-22 - 2" Cylinder - 10" x 22"	
	ELLIPSOID Pendant EL2-12 - 2" Cylinder - 20" x 11" EL2-18 - 2" Cylinder - 31" x 17"	
	PEAR Pendant PR2-22 - 2" Cylinder - 12" x 22"	
	APPLE Pendant AP2-12 - 2" Cylinder - 11" x 11" AP2-18 - 2" Cylinder - 19" x 18"	
	DOME Pendant DM2-12 - 2" Cylinder - 24" x 11" DM2-18 - 2" Cylinder - 36" x 18"	
	CURVILINEAR Pendant CL2-12 - 2" Cylinder - 11" x 11" CL2-18 - 2" Cylinder - 18" x 18"	
	TEAR DROP Pendant TD2-22 - 2" Cylinder - 12" x 22"	

NOTES

D. STYLE COLORS	E. CYLINDER FINISH	F. LUMEN OUTPUT	G. BAFFLE TYPE	H. BEAM OPTICS
Standard BK Black (AC44) MB Marble (AC03) LG Lt Gray (AC10) CH Charcoal (AC12)	WH White BK Black SV Silver	500 500 lm, 5W 750 750 lm, 8W 1000 1000 lm, 10W 1250 1250 lm, 12W 1500 1500 lm, 15W 1750 1750 lm, 18W 2000 2000 lm, 22W	DSF Deep, Smooth DMF Deep, Milli-Groove	13 Narrow Spot 13° 20 Spot 20° 26 Narrow Flood 26° 35 Flood 35° 55 Wide Flood 55°
Specialty YL Yellow (AC51) OR Orange (AC 32) GR Green (AC46) BL Blue (AC07) NV Navy (AC42) RD Red (AC17) LT Light Tan (AC05) CM Caramel (AC02) SG Smoke Gray (AC47) WH White (AC04)		Lumen output is based on 3500K 80CRI refer to Light Loss Factor Table.		

I. BAFFLE FINISH	J. OPTIC ACCESSORIES	K. CRI & COLOR TEMP.	L. VOLTAGE	M. DRIVER
WH White BK Black SS Satin Silver CG Champagne CC Custom Color	NN None HL Hex Louver CL Clear Glass FG Frosted Glass SG Striped Glass XG Check Glass	835 80 CRI; 3500K 840 80 CRI; 4000K 927 90 CRI; 2700K 930 90 CRI; 3000K 935 90 CRI; 3500K 940 90 CRI; 4000K	UNV 120-277v	S1 1% Dimming (0 - 10v) DD Dual Dimming (2-wire dimming - Triac/ELV/Phase Cut - 5% Dimming) SAX 1% Dim with Aux PEQ Lutron, Hi-Lume Premier EcoSystem 0.1% Fade to Black ELO EldoLED 0.1% Dim to Dark driver DALI DALI 2.0 Compatible
		All CCT are 2 Step MacAdam Ellipse *90 CRI Option has an R9 Value Greater than 50	For 347V Consult Factory	1750 lm max for dual dim.

N. CANOPY TYPE	O. CANOPY COLOR	SUSPENSION TYPE				OPTIONS	
		P. POWER CORD	P. CORD LENGTH	Q. STEM	Q. STEM LENGTH	R. OPTIONS	
FRC Flat Round Canopy	WH White	WF White Feed	24 24 in	WST White Stem	12 12 in	NN NONE	
PRC Power Round Canopy	BK Black	BF Black Feed	42 42 in	BST Black Stem	18 18 in	EB Emergency Battery (6-Watt)	
SRJ Surface Round J-Box Canopy	SV Silver	SF Silver Feed	102 102 in	SST Silver Stem	24 24 in	RD Remote Driver Only	
PRS Power Round Surface J-Box Canopy			150 150 in	CST Custom Color RAL # required	48 48 in xx Custom length Specified in inches	SLP Slope Ceiling	
						AWNR-W Lutron Athena Wireless Node (RF-only) in White	
						AWNR-B Lutron Athena Wireless Node (RF-only) in Black(RF-only)	

FRC required if Remote Driver Selected.

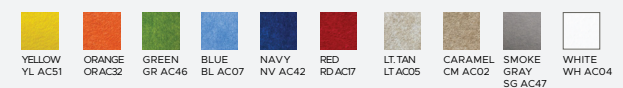
BAFFLE/BEAM ANGLE/MAX LUMENS CROSS REFERENCE					
BAFFLE TYPE	13°	20°	26°	35°	55°
DSF	1250	2000	2000	2000	2000
DMF	1250	2000	2000	2000	2000

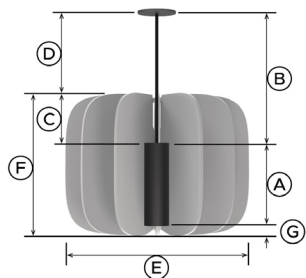
Note: Maximum Lumens based on 3500K 80CRI test values with no accessories. Beam angles change with certain accessories

STANDARD FINISHES



SPECIALTY FINISHES





HLcN Pendant Dimensions Guide

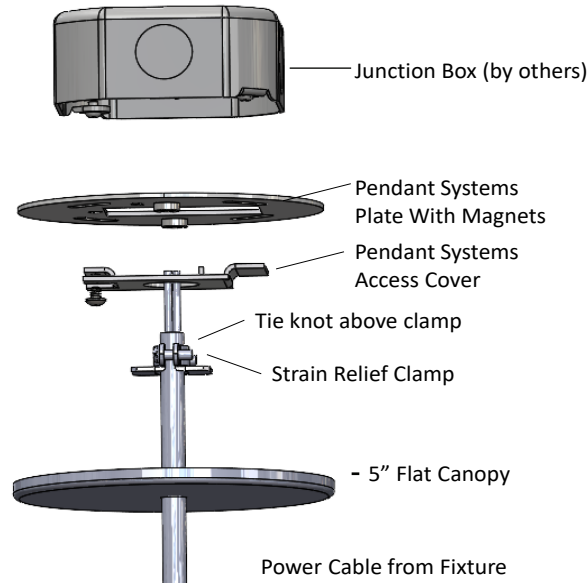
			A	B	C	D	E	F	G
	Round	RD4-12 2" Cylinder	9	CORD or STEM LENGTH from Tech Sheet	2	= (B) - (C)	11	11	0.2
		RD4-18 2" Cylinder	11		7	= (B) - (C)	18	18	0.2
	Tapered	TP4-12 2" Cylinder	9		2	= (B) - (C)	12	11	0.3
		TP4-18 2" Cylinder	11		7	= (B) - (C)	19	18	0.3
	Ellipsoid	EL4-12 2" Cylinder	9		2	= (B) - (C)	20	11	0.6
		EL4-18 2" Cylinder	11		5	= (B) - (C)	31	17	0.9
	Apple	AP4-12 2" Cylinder	9		2	= (B) - (C)	11	11	0.3
		AP4-18 2" Cylinder	11		7	= (B) - (C)	19	18	0.8
	Drum	DR4-12 2" Cylinder	9		2	= (B) - (C)	15	11	0.3
		DR4-18 2" Cylinder	11		7	= (B) - (C)	23	18	0.6
	Monolith	MN4-12 2" Cylinder	9		2	= (B) - (C)	8	11	0.3
		MN4-18 2" Cylinder	11		7	= (B) - (C)	14	19	0.6
	Oval	OV4-12 2" Cylinder	9		2	= (B) - (C)	24	11	0.1
		OV4-18 2" Cylinder	11		7	= (B) - (C)	36	18	0.3
	Dome	DM4-12 2" Cylinder	9	2	= (B) - (C)	24	11	0.2	
		DM4-18 2" Cylinder	11	7	= (B) - (C)	36	18	0.3	
	Flare	FL4-12 2" Cylinder	9	2	= (B) - (C)	15	11	0.1	
		FL4-18 2" Cylinder	11	7	= (B) - (C)	26	18	0.3	
	Curvilinear	CL4-12 2" Cylinder	9	2	= (B) - (C)	11	11	0.3	
		CL4-18 2" Cylinder	11	7	= (B) - (C)	18	18	0.4	
	Convex	CX4-22 2" Cylinder	11	11	= (B) - (C)	10	22	0.3	
	Pear	PR4-22 2" Cylinder	11	11	= (B) - (C)	12	22	0.3	
	Tear Drop	TD4-22 2" Cylinder	11	11	= (B) - (C)	12	22	0.3	



MOUNTING DIAGRAM DETAILS

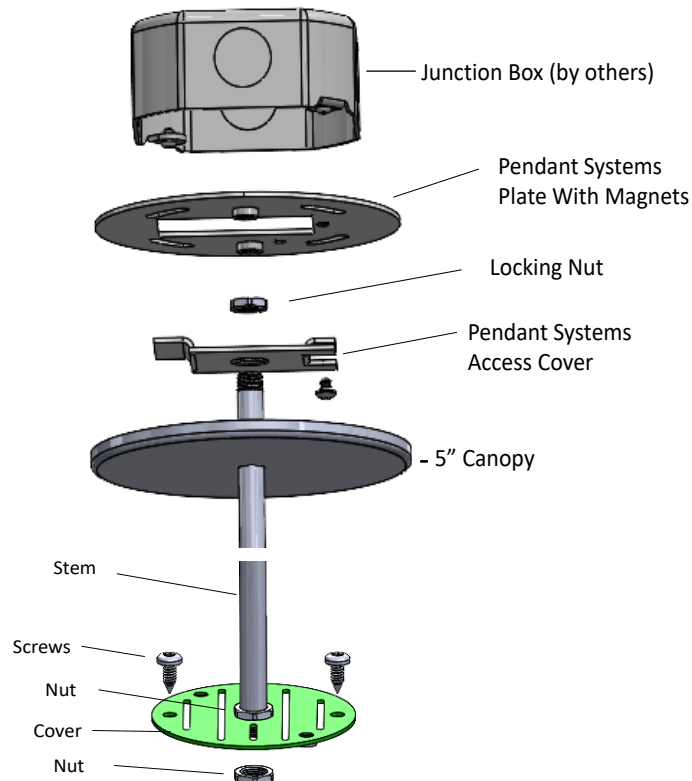
Corded Power Drop Mount Detail

Ordering Code: FRC - Flat Round Canopy



Stem Mount Detail

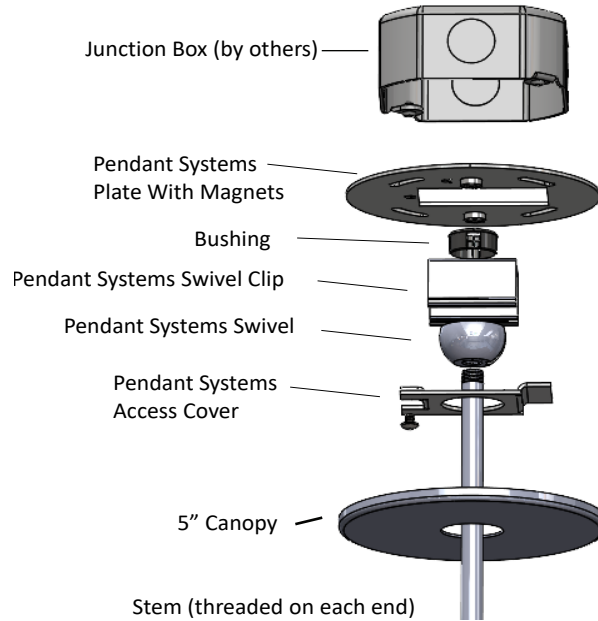
Ordering Code: FRC - Flat Round Canopy



MOUNTING DIAGRAM DETAILS

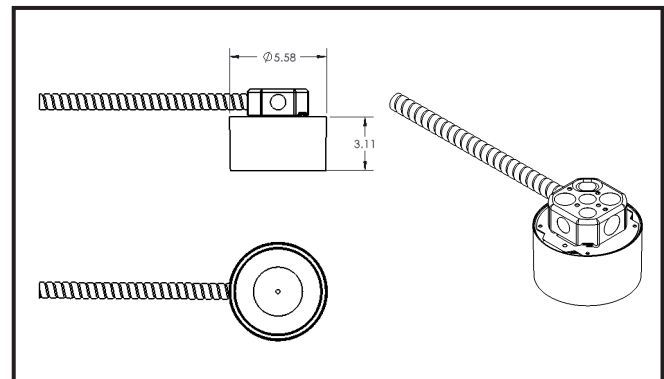
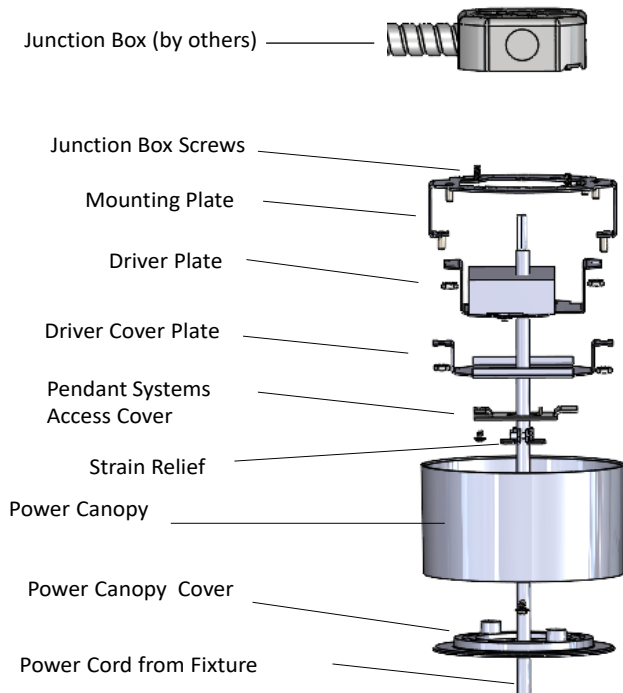
Slope Ceiling Stem Mount Detail

Ordering Code: FRC - Flat Round Canopy



Powered Canopy Detail with Power Cord Mount

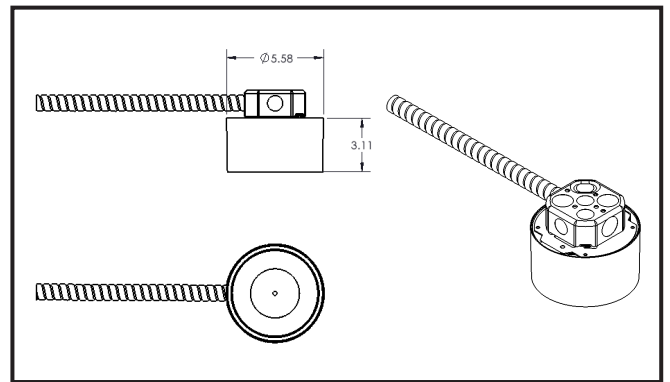
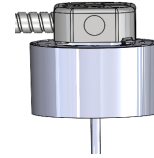
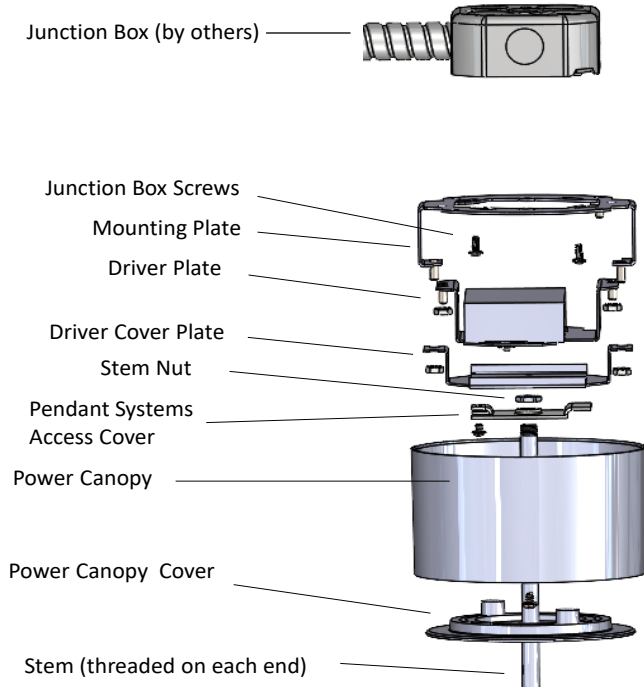
Ordering Code: PRC - Powered Round Canopy



MOUNTING DIAGRAM DETAILS

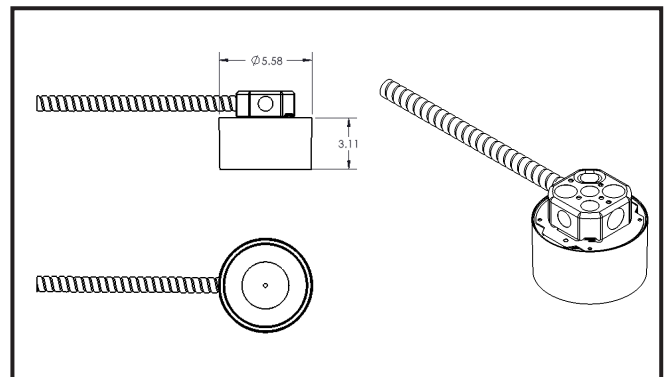
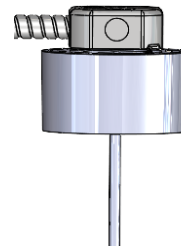
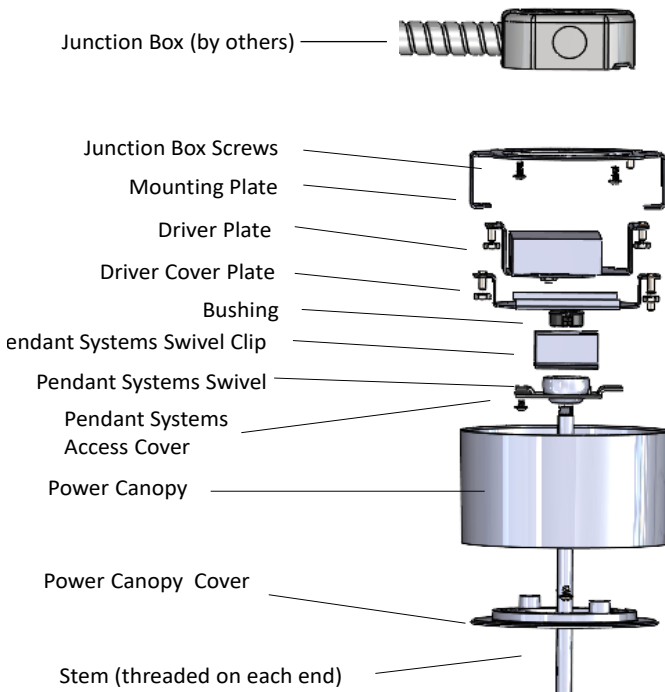
Powered Canopy Detail with Stem Mount

Ordering Code: PRC - Powered Round Canopy



Powered Canopy Detail with Slope Ceiling Stem Mount

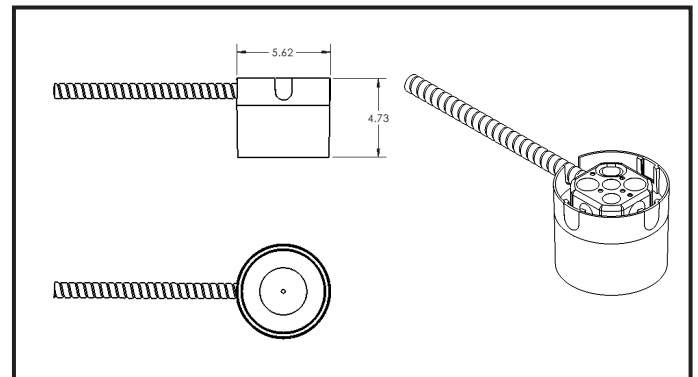
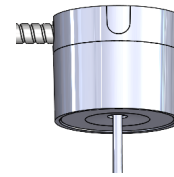
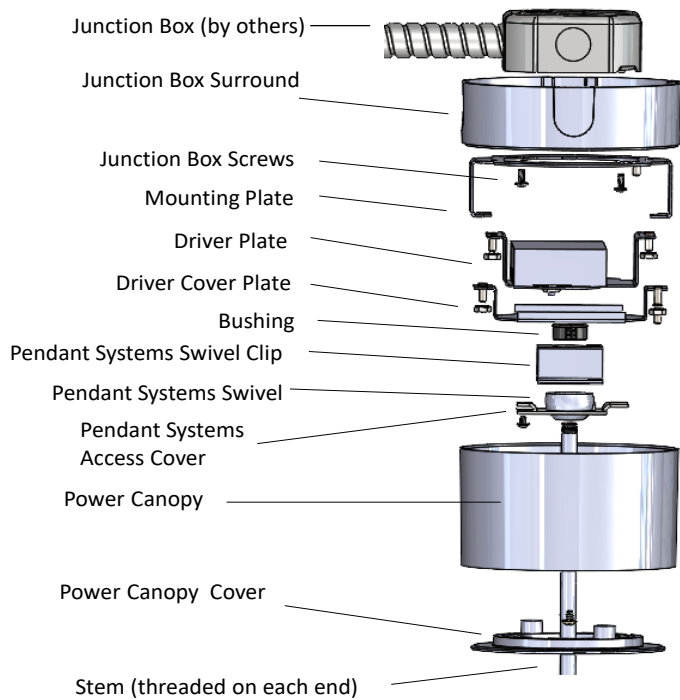
Ordering Code: PRC-SLP - Powered Round Surface J-Box Canopy, Slope Ceiling



MOUNTING DIAGRAM DETAILS

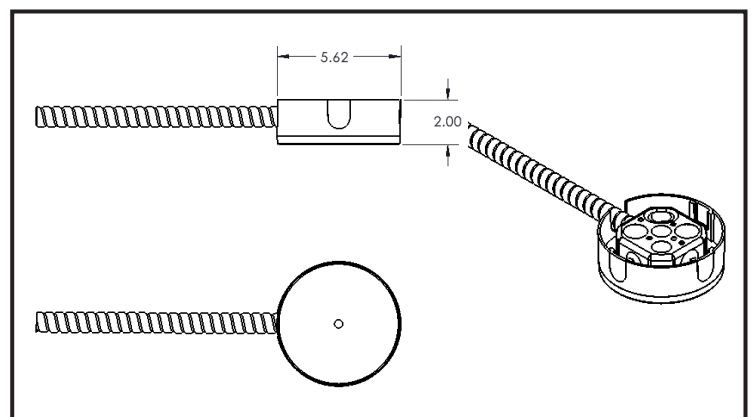
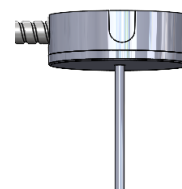
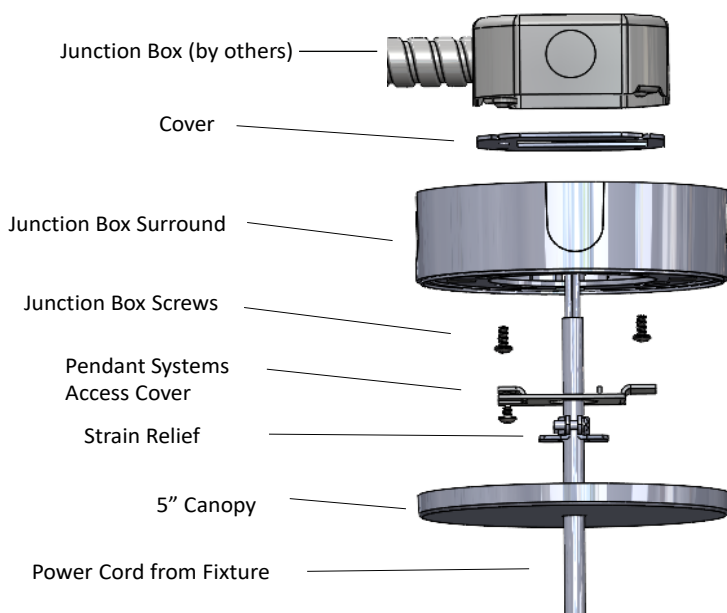
Powered Canopy Detail with Surface Mount Slope Ceiling

Ordering Code: PRS-SLP - Powered Round Surface J-Box Canopy, Slope Ceiling



Surface Mounting Detail with Cord Mount

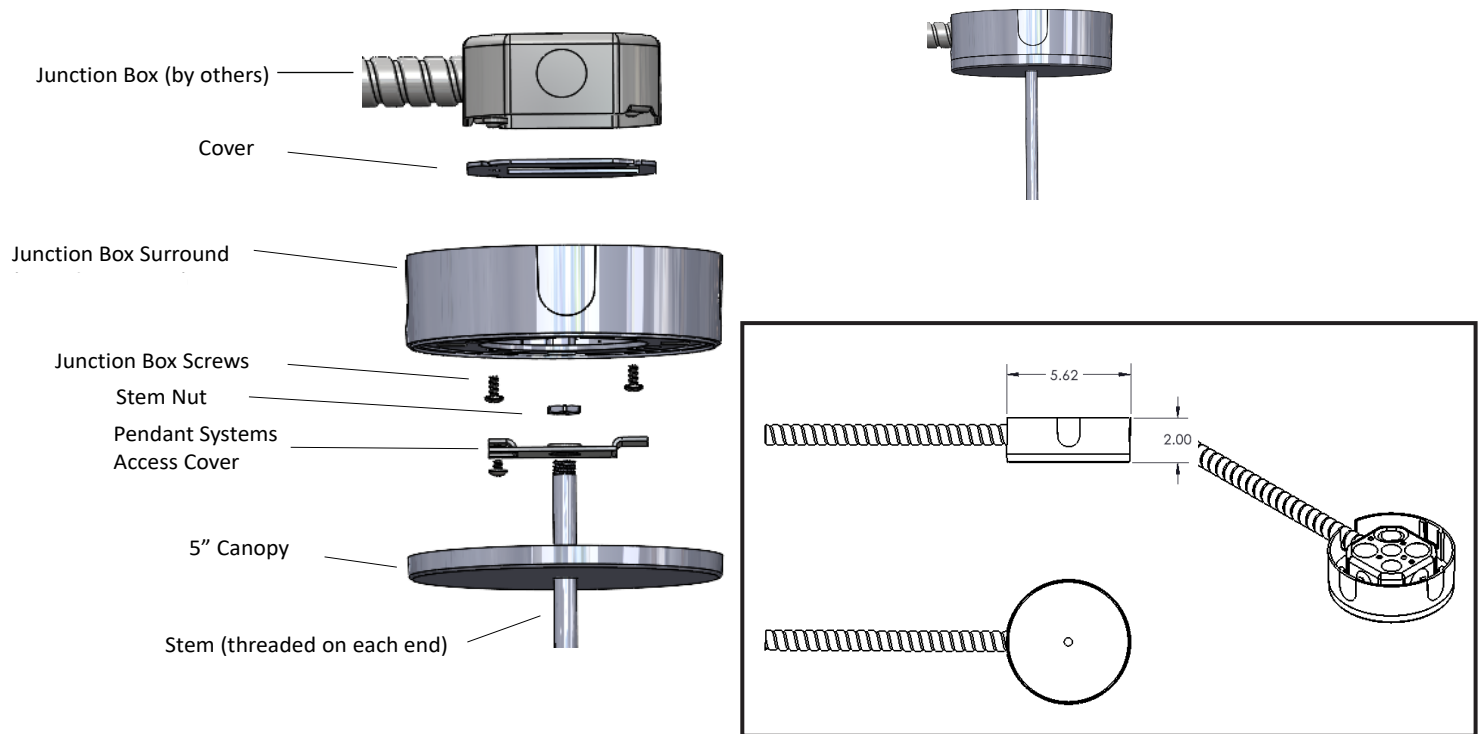
Ordering Code: SRJ - Surface Round J-Box Canopy



MOUNTING DIAGRAM DETAILS

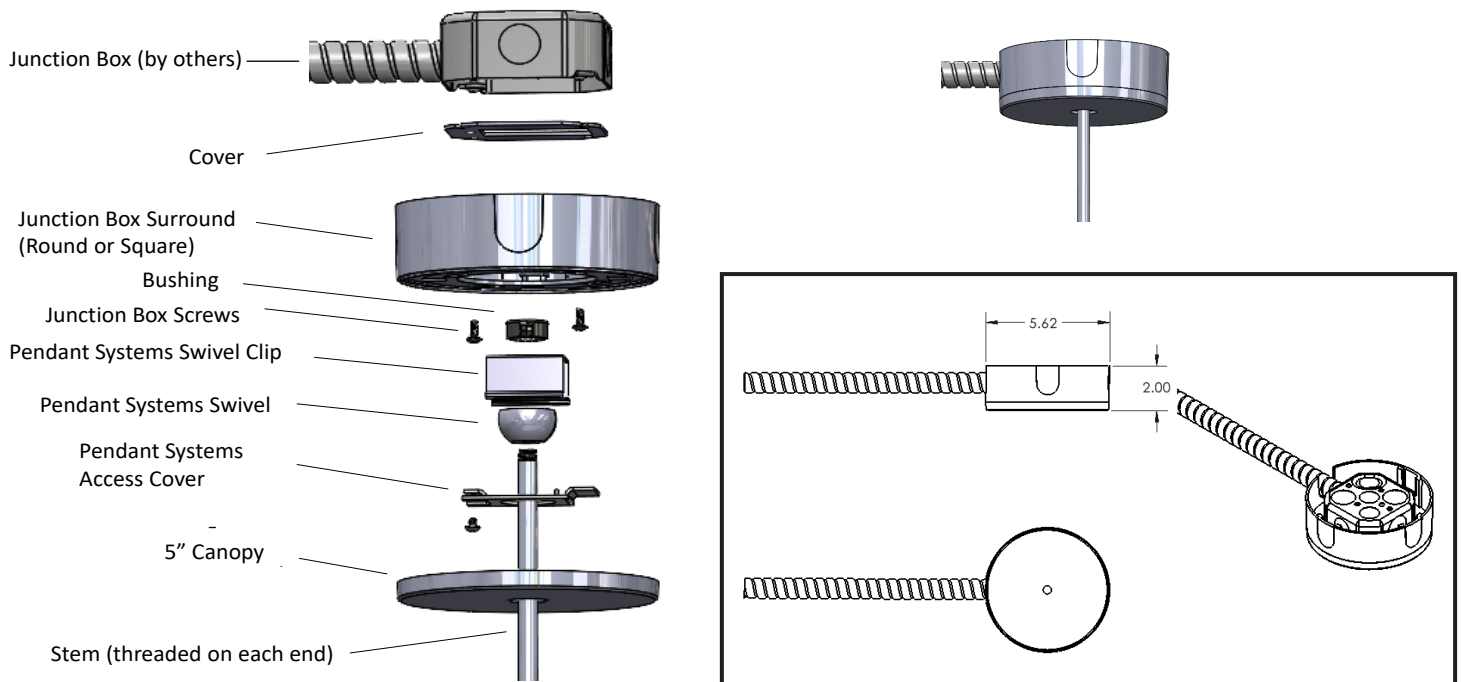
Surface Mounting Detail with Stem Mount

Ordering Code: SRJ - Surface Round J-Box Canopy



Surface Mounting Detail with Slope Stem Mount

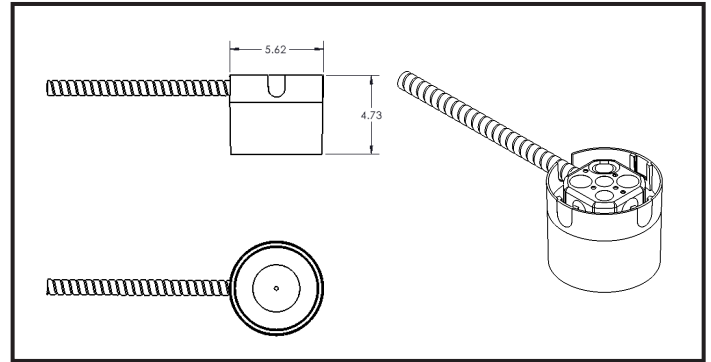
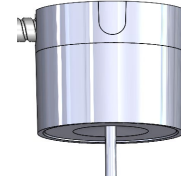
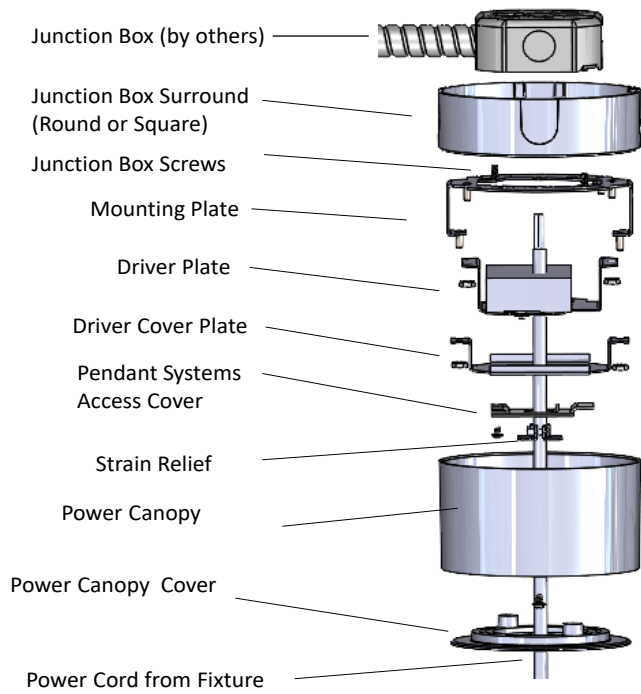
Ordering Code: SRJ-SLP Surface Round J-Box, Slope Ceiling



MOUNTING DIAGRAM DETAILS

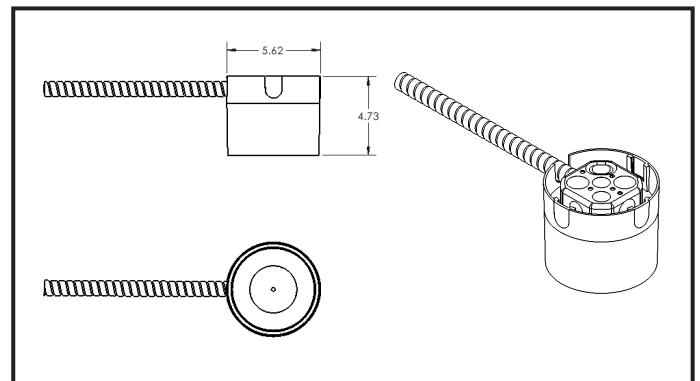
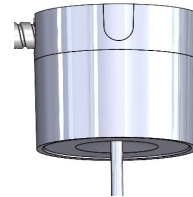
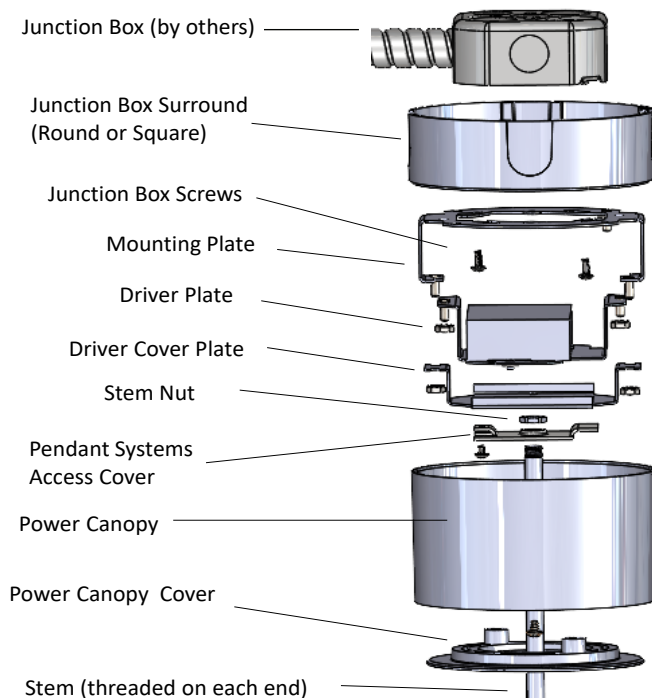
Surface Mount Ceiling Detail with Power Canopy and Power Cord

Ordering Code: PRS - Power Round Surface



Surface Mount Ceiling Detail with Power Canopy and Stem

Ordering Code: PRS - Power Round Canopy



DRIVER HOUSING MOUNTING OPTIONS

REMOTE HOUSING

