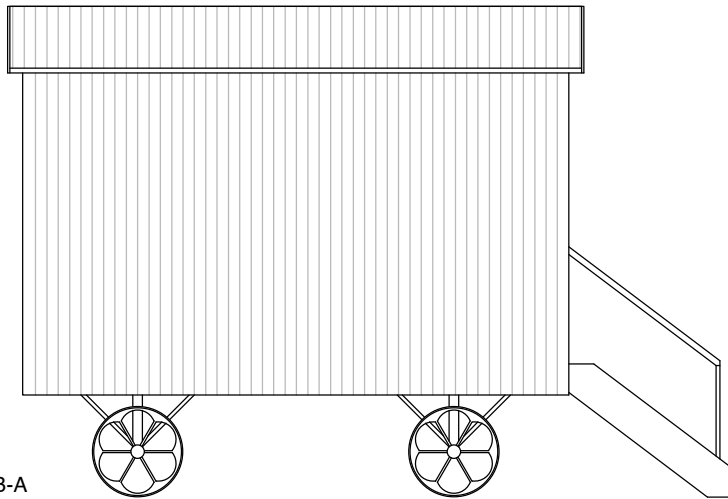
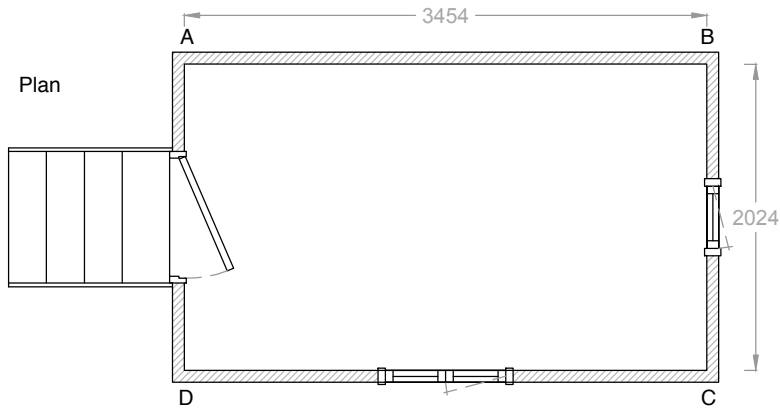
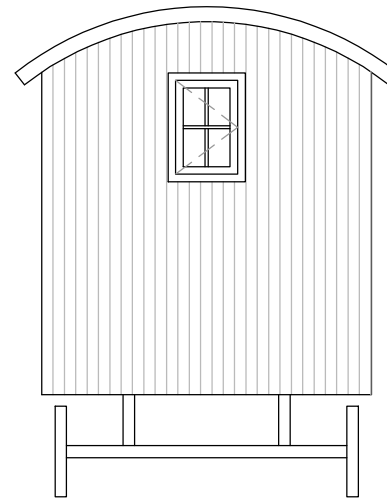


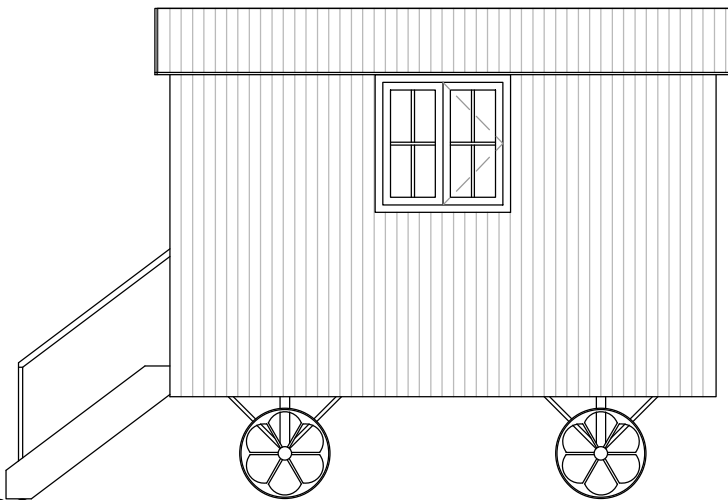
Mickleden 12' x 7'
Internal Dimensions 3454mm x 2024mm



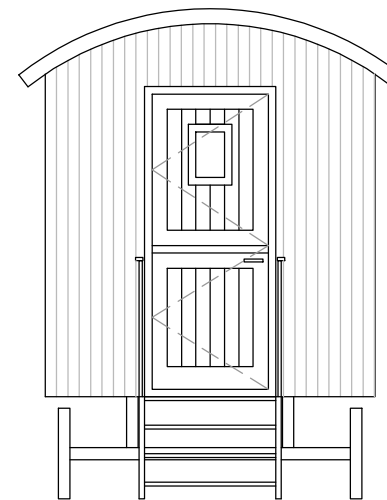
Elevation B-A



Elevation C-B



Elevation D-C



Elevation A-D

NOTES:

1. THE COPYRIGHT OF THIS DRAWING BELONGS TO CUMBRIAN SHEPHERD HUTS AND IT MAY NOT BE REPRODUCED IN WHOLE OR PART OR USED FOR THE MANUFACTURE OF ANY ARTICLE WITHOUT THE EXPRESS PERMISSION OF THE COPYRIGHT HOLDERS.
2. WORK TO FIGURED DIMENSIONS ONLY. ALL DIMENSIONS SHOULD BE CHECKED PRIOR TO ANY ITEMS BEING MANUFACTURED
3. THIS DRAWING IS TO BE READ IN CONJUNCTION WITH ALL RELEVANT SPECIALIST DRAWINGS AND SPECIFICATIONS.
4. THIS DRAWING IS FOR INFORMATION ONLY - THIS IS NOT A CONSTRUCTION DRAWING

REV:	DESCRIPTION:	BY:	DATE:
STATUS:			

	Cumbrian Shepherd Huts
	Staveley Mill Yard
	Staveley
	Cumbria
	LA8 9LR
Tel:	
Email:	
Web:	

CLIENT:

HUT NAME:
MICKLEDEN

TITLE:
Plan and External Elevations

SCALE AT A4:	DATE:	DRAWN:	CHECKED:
1:50	19.11.19	EE	WF
PROJECT NO:	DRAWING NO:	REVISION:	
10	10-02	-	