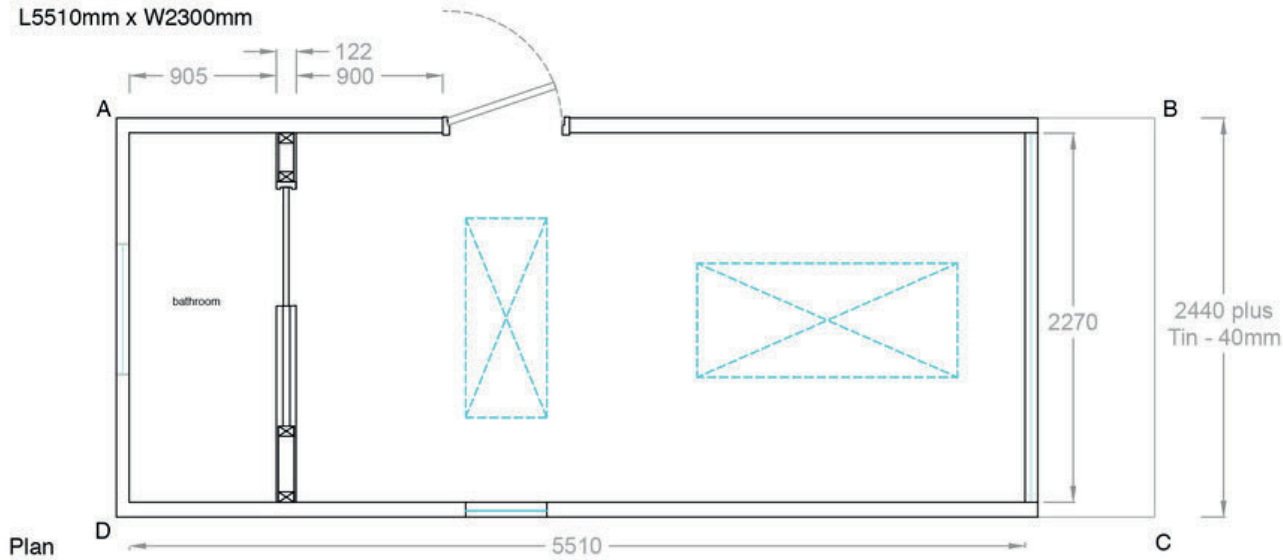
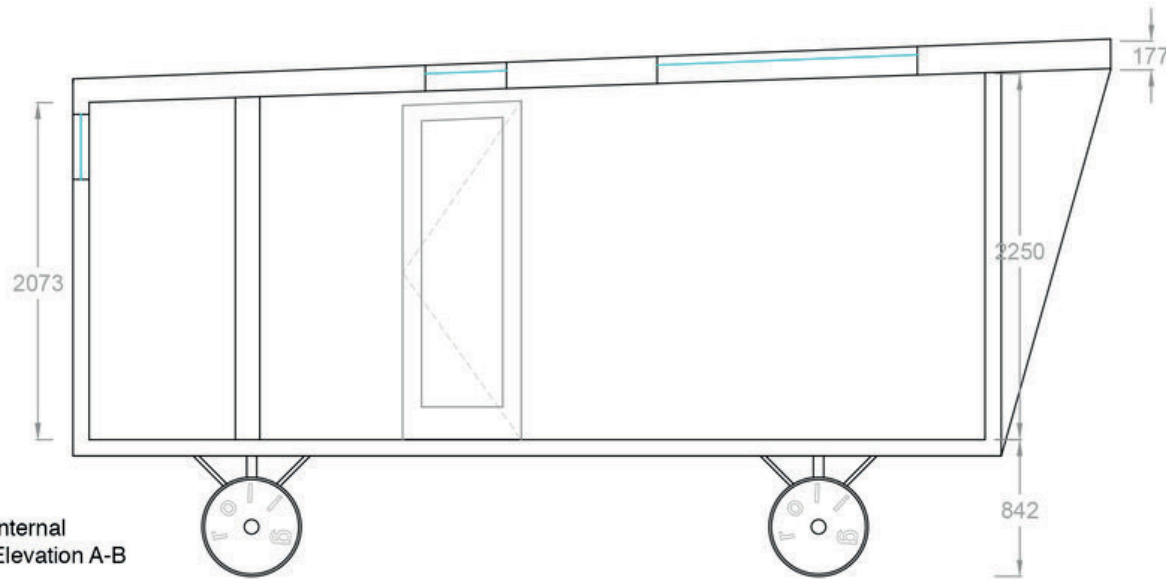


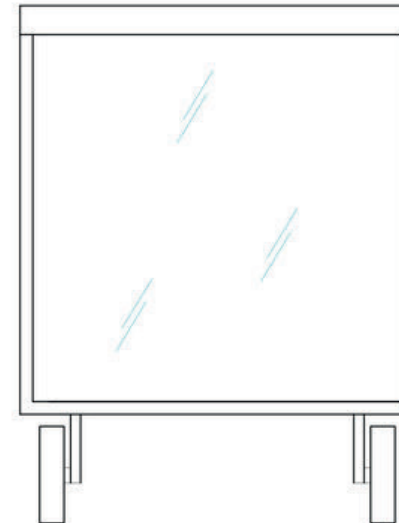
Rolig
Internal Dimensions
L5510mm x W2300mm



Plan



Internal
Elevation A-B



Elevation B-C

NOTES:

1. THE COPYRIGHT OF THIS DRAWING BELONGS TO CUMBRIAN SHEPHERD HUTS AND IT MAY NOT BE REPRODUCED IN WHOLE OR PART OR USED FOR THE MANUFACTURE OF ANY ARTICLE WITHOUT THE EXPRESS PERMISSION OF THE COPYRIGHT HOLDERS.

2. WORK TO FIGURED DIMENSIONS ONLY. ALL DIMENSIONS SHOULD BE CHECKED PRIOR TO ANY ITEMS BEING MANUFACTURED

3. THIS DRAWING IS TO BE READ IN CONJUNCTION WITH ALL RELEVANT SPECIALIST DRAWINGS AND SPECIFICATIONS.

4. THIS DRAWING IS FOR INFORMATION ONLY - THIS IS NOT A CONSTRUCTION DRAWING

REV	DESCRIPTION	BY	DATE
STATUS:			



Cumbrian Shepherd Huts
Staveley Mill Yard
Staveley
Cumbria
LA8 9LR
Tel:
Email:
Web:

CLIENT:

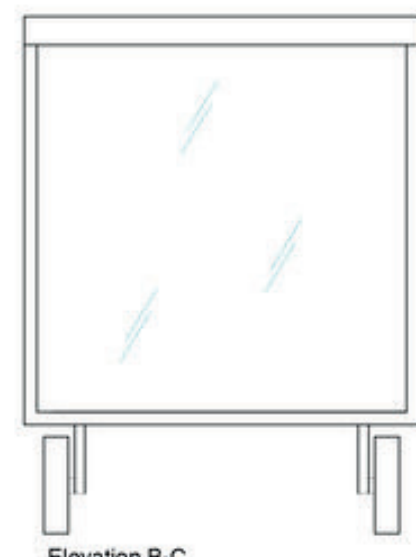
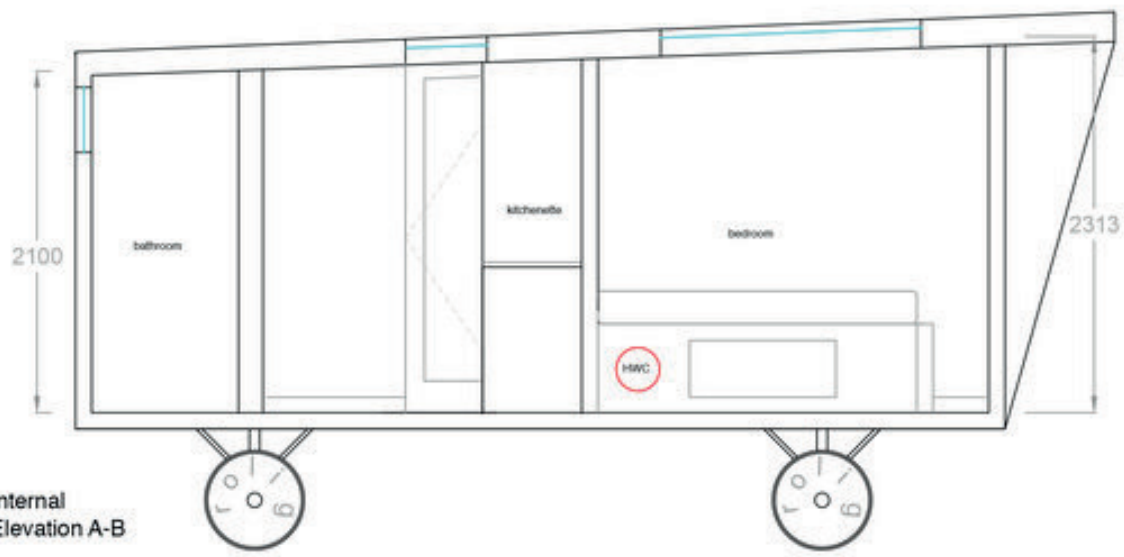
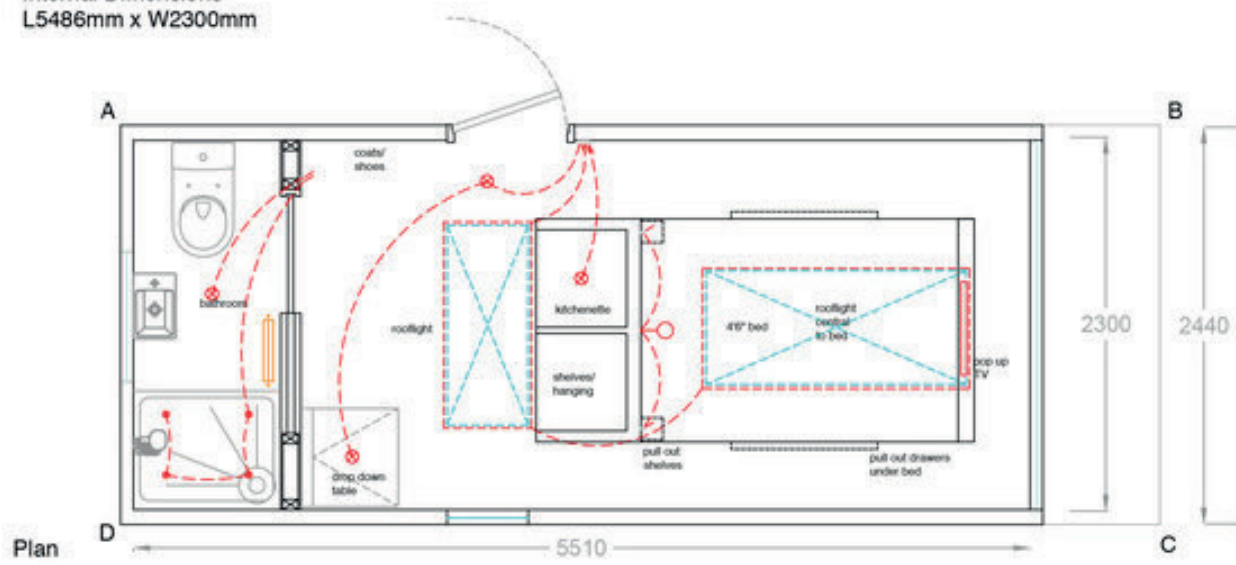
HUT NAME:
ROLIG

TITLE:
Layout Plan and Elevations

SCALE AT A4: 1:50	DATE: 23/08/20	DRAWN: EE	CHECKED: WF
----------------------	-------------------	--------------	----------------

PROJECT NO:	DRAWING NO: 15-03	REVISION: -
-------------	----------------------	----------------

Rolig
Internal Dimensions
L5486mm x W2300mm



- NOTES:**
1. THE COPYRIGHT OF THIS DRAWING BELONGS TO CUMBRIAN SHEPHERD HUTS AND IT MAY NOT BE REPRODUCED IN WHOLE OR PART OR USED FOR THE MANUFACTURE OF ANY ARTICLE WITHOUT THE EXPRESS PERMISSION OF THE COPYRIGHT HOLDERS.
 2. WORK TO FIGURED DIMENSIONS ONLY. ALL DIMENSIONS SHOULD BE CHECKED PRIOR TO ANY ITEMS BEING MANUFACTURED
 3. THIS DRAWING IS TO BE READ IN CONJUNCTION WITH ALL RELEVANT SPECIALIST DRAWINGS AND SPECIFICATIONS.
 4. THIS DRAWING IS FOR INFORMATION ONLY - THIS IS NOT A CONSTRUCTION DRAWING

REV	DESCRIPTION	BY	DATE
STATUS			

Cumbrian Shepherd Huts
 Staveley Mill Yard
 Cumbria
 LA18 9LR
 Tel:
 Email:
 Web:

CLIENT

HUT NAME:
ROLIG

TITLE:
Layout Plan and Elevations

SCALE AT A4	DATE	DRAWN	CHECKED
1:50	23/08/20	EE	WF
PROJECT NO.	DRAWING NO.	REVISION	
	15-04		