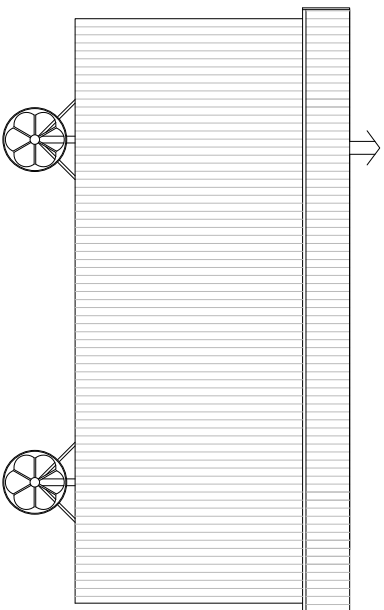
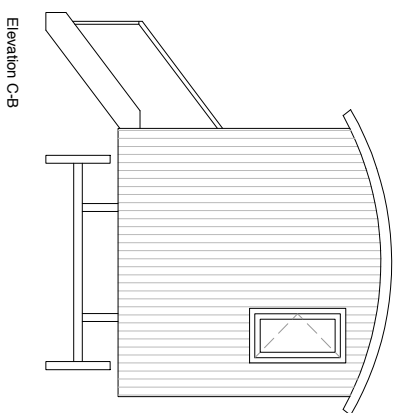
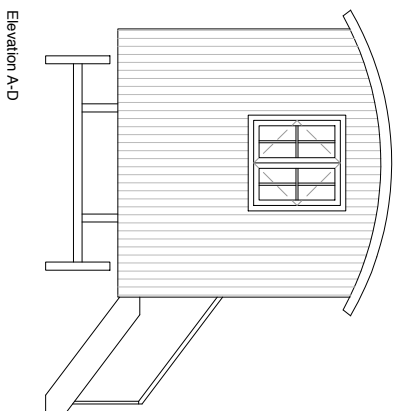
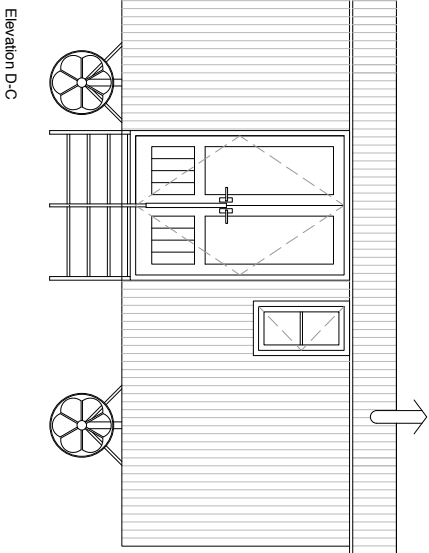
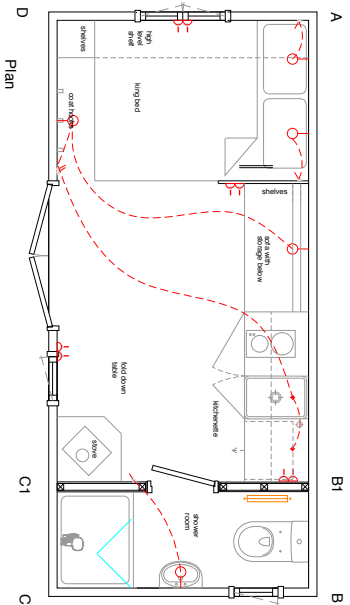


Internal Dimensions 5308mm x 2352mm



NOTES:

1. THE COPYRIGHT OF THIS DRAWING BELONGS TO CAMBRIDGE ENGINEERING AND DESIGN. IT IS NOT TO BE REPRODUCED IN WHOLE OR PART OR USED FOR THE MANUFACTURE OF ANY ARTICLE WITHOUT THE EXPRESS PERMISSION OF THE COPYRIGHT HOLDERS.
2. WORK TO FIGURED DIMENSIONS ONLY. ALL DIMENSIONS SHOULD BE CHECKED PRIOR TO ANY ITEMS BEING MANUFACTURED.
3. THIS DRAWING IS TO BE READ IN CONJUNCTION WITH ALL RELEVANT SPECIALIST DRAWINGS AND SPECIFICATIONS.
4. THIS DRAWING IS FOR INFORMATION ONLY. IT IS NOT A CONSTRUCTION DRAWING.

REV	DESCRIPTION	BY	DATE

CLIENT: Cambridge Engineering and Design
 100, Cambridge Road
 Cambridge, CB2 3RQ



CLIENT:

TITLE: Wetherham

TITLE: External Elevations

SCALE: A1:50	DATE: 08/02/21	DRAWING: EE	CREATED: WF
PROJECT NO: 22-01			