

USER MANUAL

INALTO[®]

INALTO.HOUSE

46 Bottle Dual Zone Wine Cellar

MODEL CODE/S

IWCD46.1



A HIGHER LEVEL OF REFRIGERATION

Welcome!

Residentia Group Pty Ltd

—

Head Office

165 Barkly Avenue, Burnley
Victoria Australia 3066

—

Postage

PO Box 5177, Burnley
Victoria Australia 3121

—

ACN.

600 546 656

—

Online

residentia.group

Congratulations on purchasing your new appliance.

The InAlto brand is proudly distributed within Australia by Residentia Group Pty Ltd.

Please refer to the warranty card at the rear of this manual for information regarding your product's parts and labour warranty, or visit us online at www.residentia.group

At Residentia Group, we are customer obsessed and our Support Team are there to ensure you get the most out of your appliance. Should you want to learn more about the various features of your appliance, and importantly taking care of it when cleaning, our Support Team are here to help. You can use our online Support Centre at anytime by visiting: <http://support.residentia.group.com.au>

You can contact us via calling us on 1300 11 HELP (4357)
Or email us at: support@residentia.group.com.au

It is important that you read through the following use and care manual thoroughly to familiarise yourself with the installation and operation requirements of your appliance to ensure optimum performance.

Again, thank you for choosing an InAlto appliance and we look forward to being of service to you.

Kind Regards,
The Residentia Team



**A RESIDENTIA
GROUP INITIATIVE**

Contents

Safety Information	4
Product Overview	7
Using your Wine Cellar	8
Installation	10
Troubleshooting	12
Care and Maintenance	13
Technical Specifications	14
Warranty Information	16
Your Receipt	18
Purchase Details	19

Customer Care

InAlto recommends the use of original spare parts. When contacting our customer service team, please ensure that you have the following information at hand (which can be found on your appliances' rating plate).

- Model Number
- Serial Number

T. 1300 11 4357 | E. support@residentiagroup.com.au

Safety Information



Safety information

Important - Please read these instructions fully before installing or operating

- Whilst carrying and positioning the appliance care must be taken not to damage the cooler gas circuit at the rear of the appliance.
- Do not store explosive substances such as aerosol cans with a flammable propellant in this appliance. Do not use the appliance for industrial and commercial use, or any other purpose.
- The appliance is design for indoor use only and must be protected from rain, moisture and extreme temperature variations.
- This appliance is not intended for outdoor use.
- If the socket and refrigerator plug are not compatible please contact after sales service provider.
- This appliance can be used by children aged from 8 years and above and persons with reduced physical, sensory or mental capabilities or lack of experience and knowledge if they have been given supervision or instruction concerning use of the appliance in a safe way and understand the hazards involved. Children shall not play with the appliance. Cleaning and user maintenance shall not be made by children without supervision. Children aged from 3 to 8 years are allowed to load and unload refrigerating appliances.
- Before connecting the appliance, make sure that the connection data on the data plate (voltage and frequency), matches the mains electricity supply. This data must correspond in order to avoid the risk of damage to the appliance. Consult a qualified electrician if in any doubt.
- Ensure the accessories are secured during transportation to prevent damage.
- Do not splash water on the appliance. It may cause electrical parts to fail and result in an electric shock.
- Do not sit, stand or place any other heavy objects on top of the appliance. This could result in injury or damage to the appliance.
- To prevent possible harm to the environment or human health from uncontrolled waste disposal, recycle it responsibly to promote the sustainable reuse of material resources (further detail on page 26 of this instruction manual).
- Young children should be supervised to ensure that they do not play with the appliance.
- In case there is a flammable gas leak, open the window for air circulation and disconnect from the mains. Do not turn the temperature knob. Otherwise, sparks may happen.



Safety information

Important - Please read these instructions fully before installing or operating

Before using your appliance

- Before switching on your appliance for the first time, ensure it is positioned in its desired final location and is in its upright position for at least 24 hours before plugging in and switching on the power, otherwise you may damage the compressor.
- You may experience an odour from the appliance when it is operated for the first time. This is normal and will fade when your appliance starts to cool.
- It is recommended that you remove all the internal and external packaging and clean the interior of the appliance prior to first use. We recommend you wipe all parts with warm water, then rinse and dry. Place all parts back into the appliance after cleaning.
- Cleaning and user maintenance shall not be made by children without supervision.



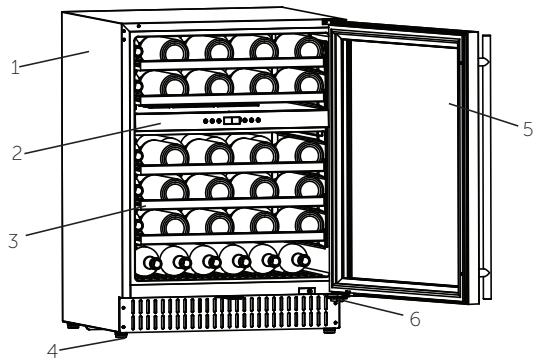
- **Warning: Risk of fire / flammable materials.**
- When positioning the appliance, ensure the supply cord is not trapped or damaged.
- Do not locate multiple portable socket-outlets or portable power supplies at the rear of the appliance.
- To avoid contamination of drinks, pay attention to the following:
 - Opening the door for long periods of time can cause a significant increase in the temperature in the compartments of the appliance.
 - Only store wine in sealed containers.
 - Do not overload the cabinet.
 - Only open the door when necessary.
 - This is a self-defrosting appliance. The compressor will not run during the twenty minutes defrost cycle.
 - Do not pull the shelves beyond the anti-stop position when fully loaded.
 - This appliance is intended to be used exclusively for the storage of wine.
 - In the event of a power failure, leave the door closed as much as possible to maintain the internal working temperature. Should the power failure continue for a prolonged period, you should take steps to protect the contents of the wine cooler against a rise in temperature. The wine cooler will remember the selected temperature setting and revert to these setting once the power is restored.

This page
is intentionally
left blank

Product Overview



- 1.Cabinet
- 2.Touch control panel
- 3.Wine shelves

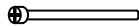


- 4.Levelling feet
- 5.Glass door
- 6.Lower door hinge

Accessories included



Handle x 1



Screws x 2



Spacers x 2

Full instructions on how to fix the handle can be found on Page 10 of this manual

Using your Wine Cellar

Before use

Final checks before operating the appliance.

1. Make sure there is sufficient space for air circulation around the appliance. (Please see page 10 of Instruction Manual titled 'Installation requirements' for this information).
2. The feet have been adjusted for perfect leveling.
3. Clean the compartment per recommendation in section "Care and Maintenance".
4. Plug in the appliance and it will start operation to the default temperature setting.
5. The LED display may not show the selected temperature whilst the appliance first gets to the correct temperature. This is normal, and the display will be corrected automatically once the appliance has run for a few hours.
6. If the appliance is switched off, you should allow five minutes before switching it on again to prevent the risk of unnecessary damage to the compressor.

Please note :

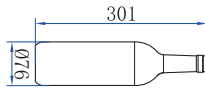
The appliance will work continuously until it gets to correct temperature. Continuous noise from the compressor and refrigeration system is normal, this is not a defect.

Arranging wine in your wine cooler.

- Before putting the wine into the wine cooler, please ensure the shelves are correctly in place.
- Adjust the temperature of the wine cooler.
- Allow several hours to let bottles reach the desired temperature.
- Fill the wine cooler with your choice of wine bottle. Lay the wine bottles in a horizontal position and ensure they sit on the shelf securely (see diagram).

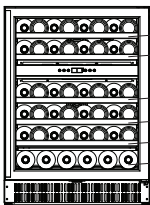


Figure A



Please be aware that this wine cooler is designed to fit 0.75 litre Bordeaux style wine bottles (see bottle dimension). Using different size bottles in the wine cooler may prevent the door from closing, and limit the space between shelves and between bottles. When using a different size wine bottle we recommend to take out a shelf or rearrange the bottles to suit the wine bottle size.

- Do not exceed the capacity that the appliance is able to handle. Follow below bottle loading diagram.



shelf 1
shelf 2
shelf 3
shelf 4
shelf 5
bottom

Diagram for shelf 1-5 loading

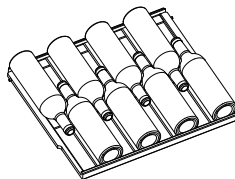
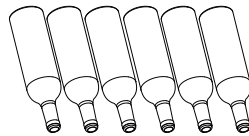


Diagram for bottom loading



Shelf 1-5 : Loading diagram for 8 bottles on each shelf , max loading 8 bottles only.
Bottom : 6 bottles place at bottom directly, no shelf, max loading 6 bottles only.

Caution:

Condensation may be found on the glass door during summer time or humid temperatures. This is normal. Wipe it with a damp cloth.

Remove the shelves

To remove a shelf from the wine cooler, first remove all bottles from the shelf, then pull out the shelf until it stops. Lift up the inner end of the shelf up, then the whole shelf can be pulled out from the cooler.



Defrosting

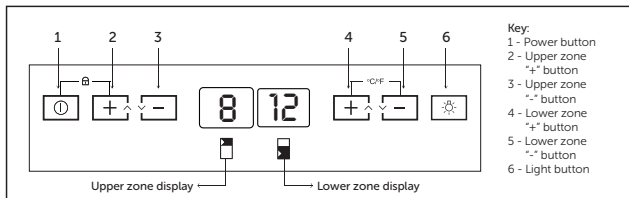
The wine cooler is designed to defrost automatically every 4 hours. The defrost process will last for 20 minutes. During defrost, the compressor stops working and fan keeps on running for 20 minutes.

Door alarm

The wine cooler is equipped with an alarm that will sound if the door is left open for more than 60 seconds. Close door or press any key once to switch off the alarm.

Controls

It is recommended that you install appliance in a place where the ambient temperature is between 16°C - 32°C. If the ambient temperature is above or below recommended temperature, the performance of the unit may be affected. For example, placing your unit in extremely cold or hot conditions may cause interior temperatures to fluctuate. The operation temperature range may not be reached.



To switch the power on/off

- Press and hold the power button for 6 seconds to switch the wine cooler on.
- Press and hold the power button for 6 seconds again to switch the wine cooler off.

To change the temperature

- Continue to press the "+" or "-" buttons for the appropriate zone until the required temperature is shown on the display.
- The preset temperature is 8°C/46°F for the upper zone and 12°C/54°F for lower zone.
- To change the temperature display from Fahrenheit to Celsius, or Celsius to Fahrenheit, press lower zone "+" and "-" button at the same time for 2 seconds. Tips, please see the "°C/°F" symbol on control panel.
- The display shows the current internal temperature when the wine cooler is on.

Optimal temperature selection

- Whilst wine is best stored at temperatures between 13 and 15°C, your wine can also be stored at drinking temperature. As a guide for red wine this is between 15 and 17°C, and for white wine between 12 and 13°C.

To use the internal light

- Press the light button to switch the light on or off.
- To turn the light ON when door opens, press the light button for 6 seconds, the display will show 'OP_' which means door controls function is ON
- To turn the light function OFF, press the light button for 6 seconds, the display will show 'CL', which means the door control function is OFF.

To lock the whole panel

- Press power button and "+" button at the same time for one second, all the buttons on panel will be locked.
- Press power button and "+" button once again, all the buttons will be unlocked.

Tips, please see the "🔒" symbol on control panel.

Installation

Installation requirements

Before starting to use your wine cellar, you should pay attention to the following points:

- Operating voltage for your wine cooler is 220-240V at 50Hz.
- We do not take the responsibility of the damages that occur due to ungrounded usage.
- Do not place your appliance in direct sunlight.
- Your appliance should be at least 50 cm away from stoves, Gas ovens and heaters, and should be at least 5 cm away from electrical ovens.
- Your wine cooler should never be used outdoors or left out in the rain.
- When your wine cooler is placed next to a deep freezer, there should be at least 2 cm between them to prevent humidity on the outer surface.
- Do not place anything on your wine cooler, and install your wine cooler in a suitable place so that there is at least 10mm clearance at the top.
- Before using your wine cooler, wipe all parts with warm water, and then rinse and dry. Place all parts back in the appliance after cleaning.
- This appliance should be placed against a wall with a free distance of at least 30mm.
- The installation of this appliance is best carried out by 2 people.
- Dispose of all packaging carefully and responsibly.
- The appliance is designed for indoor use only and must be protected from rain, moisture and extreme temperature variations.
- This appliance is designed for household use. Do not use the appliance for industrial and commercial use, or any other purpose.
- The appliance MUST be positioned on a firm level base.

Installation of your appliance

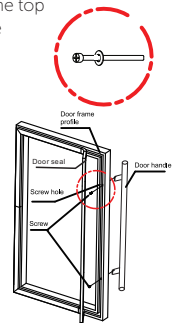
The appliance is designed for built-in, recessed or free standing installation. The minimum space required is : 615mm W x 605mm D x 830mm H (refer to right photo)

IMPORTANT: Failure to follow the instructions regarding installation and ventilation may void the warranty supplied with your appliance.

Installing the stainless steel handle

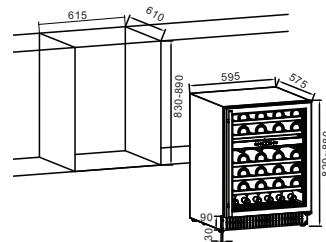
To install the handle, follow the instructions below:

1. Peel back door seal along the right hand side of door. You will find a screw hole at the top and lower of the door where you have peeled the seal back. (please refer to the diagram)
2. Take out the screws and spacers from bag at back of cabinet. Place the spacers onto screws and then put the screws in the hole where the handle is to be installed. Please make sure the spacer is correctly in place before you put the screws in the hole.
3. Align the handle with screws, tighten the screws using a screw driver until the handle is both flush and secured tightly against the door surface)
4. After handle fixed well, put the door seal back to the door to cover the hole.



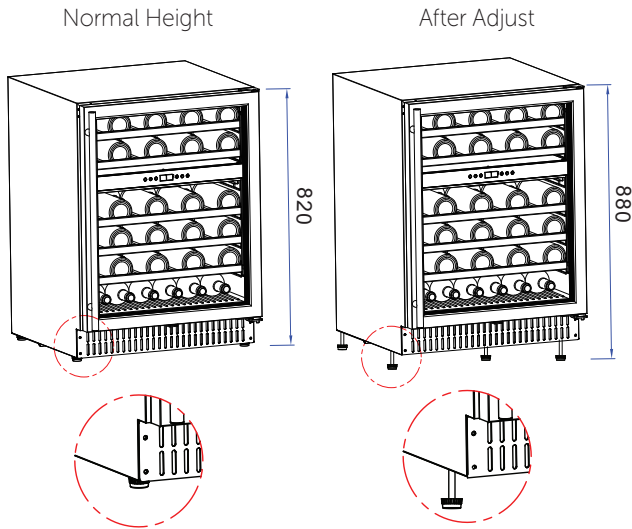
Unpacking

- Please make sure that when unpacking your appliance that it is carried out in a safe manner. Ensure the packaging is disposed off in accordance to local regulation.
- Do not allow children to play with the packaging material, e.g. plastic bags and wrappings. **Danger of suffocation.**



Adjustable feet

This appliance comes with height adjustable feet which allows the appliance to be installed under bench and ensures the appliance is stable and level. Just screw the bottom feet anticlockwise to raise the height up to 880mm or clockwise to lower the height to 820mm. See below photos.



Troubleshooting

PROBLEM	SOLUTION
THE DOORS DO NOT CLOSE PROPERLY	<ul style="list-style-type: none"> -Ensure there are no obstructions preventing door closure. -Check the door compartments and shelves are correctly in place. -Check the door seal is not warped or torn. -Check the appliance is level.
UNUSUAL NOISES	<ul style="list-style-type: none"> -Check that the appliance is on a flat, level surface and is stable. -Check the spacing's around the appliance and ensure it is not touching other items. -Bubbling and gurgling sound: This noise is emitted as the coolant fluid flow through the pipes within the system. This is normal. -Contraction and expansion of the inside walls may cause popping and cracking noises.
THE COOLER DOOR WILL NOT OPEN	<ul style="list-style-type: none"> -If the door has just been opened, leave it for a few minutes to allow the air pressure to equalise before trying again.
THE COMPRESSOR RUNS CONSTANTLY	<ul style="list-style-type: none"> -The temperature is set too cold: select a lower (warmer) setting. -The door is open, or something is obstructing proper door closure. -The room temperature is hotter than usual.
THE EXTERNAL FRIDGE SURFACE IS WARM	<ul style="list-style-type: none"> -The exterior walls can be warmer than room temperature. This is normal while the compressor works to transfer heat from inside the bottle cabinet.
SMELLS/ODOURS	<ul style="list-style-type: none"> -Check all the drinks that are in the cooler are in date and correctly packaged. Please remove anything that may be spoiled and repack if necessary. -Check for spillages throughout the cooler. Spillages may cause odours if left unwashed. Wash accordingly to the manufacturers advise.



Care and Maintenance

Looking after your appliance

Cleaning your appliance

- Make sure you unplug the wine cooler before starting to clean it.
- Do not pour water directly over your appliance.
- You can wipe the inner and outer sides with a soft cloth.
- Remove parts individually and clean by hand with soapy water. Do not place in dishwashers.
- Never use flammable, explosive or corrosive material for cleaning your appliance
- Dust behind the cooler and on the ground shall be timely cleaned to improve the cooling effect and energy saving.
- The interior of the cooler should be cleaned regularly to avoid odor.
- Check the door gasket regularly to make sure there are no debris.
- Please turn off the power before cleaning, remove all shelves.
- Clean the door gasket with mild soap and water.
- Use a soft cloth or sponge to clean the inside of the cooler, with two tablespoons of baking soda and a quart of warm water. Then rinse with water and wipe clean, and open the door and dry it naturally before the power is turned on.
- Do not use soap, detergent, scrub powder, spray cleaner, etc., as these may cause odors in the interior of the cooler.
- Clean the bottle frame and shelves with a mild detergent and dry with a soft cloth.
- Wipe the outer surface of the cooler with a soft cloth dampened with soapy water, detergent, etc., and then wipe dry.
- Do not use hard brushes, steel wool, wire brushes, abrasives, or solvents like, alcohol or acetone, boiling water, acids or alkaline to clean this appliance, as it may damage or deform the surface or interior.
- Do not rinse with water so as not to affect the electrical insulation properties.

Light bulb replacement

The internal light is a LED type. To replace the lamp, please speak to after sales service provider.

Power Failure

If the power failure lasts for up to 24 hours, keep the door closed. This will allow the stored bottles to stay cold as long as possible. If it lasts longer than 24 hours, it is advised to empty the wine cooler compartment and temporarily store the bottles in a portable wine chiller.

Short vacation

There is no need to disconnect the appliance from the mains if you will be away for two to three weeks.

Long vacation

Remove all the wine if you are away for three weeks or more. Unplug the appliance and leave the doors open to provide air circulation to prevent odour and mould.

If the refrigerating appliance is left empty for long periods, switch off, defrost, clean, dry, and leave the door open to prevent mould developing within the appliance.

Technical Specifications

Product Dimensions (H, W, D):	820mm, 595mm, 575mm
Weight (Net / Gross):	42kg / 46.5kg
Temperature Range:	Upper Zone: 4–12°C
	Lower Zone: 12–22°C
Other Features:	128L Capacity
	Touch key control panel
	White LED interior light
	Triple glazed tinted glass door
	Stainless Steel and Glass Finish



Specification and Technical Parameters

This product complies with AS/NZS 60335.1 and AS/NZS 60335.2.24 electrical safety, and with EN 55014-1:2006+A1:2009 A2:2011 for electromagnetic compatibility.

Rating Label

See below. This will also be affixed to the unit.

Responsible Disposal

- At the end of its working life, do not throw this appliance out with your household rubbish. Electrical and electronic products contain substances that can have a detrimental effect on the environment and human health if disposed of inappropriately.
- This refrigeration appliance contains flammable refrigerants and insulation blowing gases, which must be removed before disposal. Observe any local regulations regarding the disposal of electrical consumer goods and dispose of it appropriately for recycling and recovery of the refrigerant. Contact your local authorities for advice on recycling facilities in your area.
- **Danger:** Risk of child entrapment! To avoid the possibility of child entrapment, take off the door and leave the shelves in place before discarding your Beverage Centre so that children cannot easily climb inside.

INALTO?

46 Bottle Dual Zone Wine Cellar

MODEL	IWCD46.1
CLIMATE CLASS	T
STORAGE VOLUME	128L
PROTECTION CLASS	I
VOLTAGE	220-240V/50Hz
INPUT CURRENT	0.9A
LAMPS POWER	1+1W
REFRIGERANT	R600a/25g
DIMENSIONS (HxWxD)	820x595x575mm
FOAMING AGENT	Cyclopentane
SERIAL NO.	

Made in PRC

Caution:risk of fire

E2447

Residentia Group Pty Ltd
 T. 1300 11 4357
 E: support@residentiagroup.com.au

Warranty Information

WARRANTY TERMS & CONDITIONS REFRIGERATION

This document sets out the terms and conditions of the product warranties for Residentia Group Appliances. It is an important document. Please keep it with your proof of purchase documents in a safe place for future reference should you require service for your Appliance.

1. IN THIS WARRANTY

- (a) 'acceptable quality' as referred to in clause 10 of this warranty has the same meaning referred to in the ACL;
 - (b) 'ACL' means Trade Practices Amendment (Australian Consumer Law) Act (No.2) 2010;
 - (c) 'Appliance' means any Residentia Group product purchased by you accompanied by this document;
 - (d) 'ASR' means Residentia Group authorised service representative;
 - (e) 'Residentia Group' means Residentia Group Pty Ltd of 165 Barkly Avenue Burnley VIC, ACN 600 546 656 in respect of Appliances purchased in Australia;
 - (f) 'major failure' as referred to in clause 10 of this warranty has the same meaning referred to in the ACL and includes a situation when an Appliance cannot be repaired or it is uneconomic for Residentia Group, at its discretion, to repair an Appliance during the Warranty Period;
 - (g) 'Warranty Period' means:
 - (i) where the Appliance is used for personal, domestic or household use (i.e. normal single family use) as set out in the instruction manual, the Appliance is warranted against manufacturing defects for 36 months, following the date of original purchase of the Appliance;
 - (h) 'you' means the purchaser of the Appliance not having purchased the Appliance for re-sale, and 'your' has a corresponding meaning.
2. This warranty only applies to Appliances purchased and used in Australia and is in addition to (and does not exclude, restrict, or modify in any way) any non-excludable statutory warranties in Australia.
 3. During the Warranty Period Residentia Group or its ASR will, at no extra charge if your Appliance is readily accessible for service, without special equipment and subject to these terms and conditions, repair or replace any parts which it considers to be defective. Residentia Group or its ASR may use remanufactured parts to repair your Appliance. You agree that any replaced Appliances or parts become the property of Residentia Group. This warranty does not apply to light globes, batteries, filters or similar perishable parts.
 4. Parts and Appliances not supplied by Residentia Group are not covered by this warranty.
 5. You will bear the cost of transportation, travel and delivery of the Appliance to and from Residentia Group or its ASR. If you reside outside of the service area, you will bear the cost of:
 - (a) travel of an authorised representative;
 - (b) transportation and delivery of the Appliance to and from Residentia Group or its ASR, in all instances, unless the Appliance is transported by Residentia Group or its ASR, the Appliance is transported at the owner's cost and risk while in transit to and from Residentia Group or its ASR.
 6. Proof of purchase is required before you can make a claim under this warranty.



7. You may not make a claim under this warranty unless the defect claimed is due to faulty or defective parts or workmanship. Residentia Group is not liable in the following situations (which are not exhaustive):
- (a) the Appliance is damaged by:
 - (i) accident
 - (ii) misuse or abuse, including failure to properly maintain or service
 - (iii) normal wear and tear
 - (iv) power surges, electrical storm damage or incorrect power supply
 - (v) incomplete or improper installation
 - (vi) incorrect, improper or inappropriate operation
 - (vii) insect or vermin infestation
 - (viii) failure to comply with any additional instructions supplied with the Appliance;
 - (b) the Appliance is modified without authority from Residentia Group in writing;
 - (c) the Appliance's serial number or warranty seal has been removed or defaced;
 - (d) the Appliance was serviced or repaired by anyone other than Residentia Group, an authorised repairer or ASR.
8. This warranty, the contract to which it relates and the relationship between you and Residentia Group are governed by the law applicable where the Appliance was purchased.
9. To the extent permitted by law, Residentia Group excludes all warranties and liabilities (other than as contained in this document) including liability for any loss or damage whether direct or indirect arising from your purchase, use or non use of the Appliance.
10. For Appliances and services provided by Residentia Group in Australia, the Appliances come with a guarantee by Residentia Group that cannot be excluded under the Australian Consumer Law. You are entitled to a replacement or refund for a major failure and for compensation for any other reasonably foreseeable loss or damage. You are also entitled to have the Appliance repaired or replaced if the Appliance fails to be of acceptable quality and the failure does not amount to a major failure. The benefits to you given by this warranty are in addition to your other rights and remedies under a law in relation to the Appliances or services to which the warranty relates.
11. At all times during the Warranty Period, Residentia Group shall, at its discretion, determine whether repair, replacement or refund will apply if an Appliance has a valid warranty claim applicable to it.
12. To enquire about claiming under this warranty, please follow these steps:
- (a) carefully check the operating instructions, user manual and the terms of this warranty;
 - (b) have the model and serial number of the Appliance available;
 - (c) have the proof of purchase (e.g. an invoice) available;
 - (d) telephone the numbers shown below.
13. You accept that if you make a warranty claim, Residentia Group and its ASR may exchange information in relation to you to enable Residentia Group to meet its obligations under this warranty.

IMPORTANT

Before calling for service, please ensure that the steps in point 12 have been followed.

Telephone contact

- Service: Please call 1300 11 HELP (4357)

The Australian Consumer Law requires the inclusion of the following statement with this warranty:

Our goods come with guarantees that cannot be excluded under the Australian Consumer Law. You are entitled to a replacement or refund for a major failure and for compensation for any other reasonably foreseeable loss or damage. You are also entitled to have the goods repaired or replaced if the goods fail to be of acceptable quality and the failure does not amount to a major failure.



Attach your receipt to this page



Purchase Details

For future reference, please record the following information which can be found on the rating plate and the date of purchase which can be found on your sales invoice.

STORE DETAILS

STORE NAME |

ADDRESS |

TELEPHONE |

PURCHASE DATE |

PRODUCT DETAILS

MODEL NO. |

SERIAL NO.* |

A HIGHER LEVEL

INALTO?

OF REFRIGERATION

WWW.INALTO.HOUSE



E2447