

NOVASTONE SLIDING DOOR INSTALLATION INSTRUCTIONS

crest
showers



NOVASTONE HINGED DOOR INSTALLATION INSTRUCTIONS

IMPORTANT INFORMATION:

Please read all instructions and warranty information before beginning installation. It is assumed that this installation is being carried out by qualified trades-people.

GENERAL SHOWER INFORMATION

- Due to weight of panels and base, 2 people may be needed to install shower.
- Walls must be plumb to a 2-3mm tolerance where shower is to be installed.
- Floor must be square to wall.

GLASS SAFETY

- Keep glass standing upright.
- Always sit glass on a padded surface i.e. polystyrene.
- Take extra precautions with edges of glass panels.
- If toughened safety glass hits a hard surface or is hit by a hard object, it may shatter or compromise the integrity of the glass.
- It is recommended that safety gloves and glasses are worn during installation.



NOVASTONE HINGED DOOR INSTALLATION INSTRUCTIONS

INCLUDED

Glass Panels
Channel Extrusion Kits
Installation Kit
Shower Base
Easy Clean waste
Silicone and Adhesive
Hardware

NEEDED

Caulking Gun
Level
Drill
Screw Driver
Spray Bottle with Soapy Water
Paper Towels
Tape Measure

IMPORTANT INFORMATION:

The Novastone shower base is a durable product but care must be taken during installation. Rough handling, impacts to wall upstands and other areas can cause unnecessary breaks which are not covered under warranty.

Please carefully lift and lower the shower base into position. Suction handles as used by glaziers can be very useful for this. **DO NOT DROP, HIT OR SLIDE SHOWER BASE.** Once out of its freight packaging and after installation we firmly recommend keeping the base surface covered to remove the risk of unnecessary damage i.e. dropped tools, tiles, glass, paint etc. The packaging can be easily cut down/modified to make a covering until work is complete.

SHOWER BASE

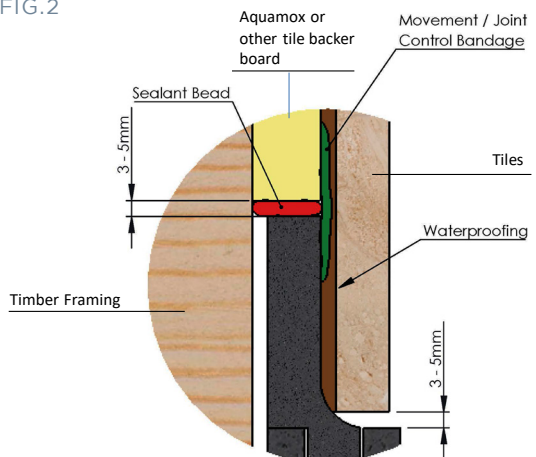
1. DRY FITTING THE BASE

- Clean/prepare floor surface in accordance with directions on adhesive. Check floor for level surface, noting any humps and falls. The floor must be completely clean and free from all dust. Walls should be plumb.
- Fit the shower base into position by carefully lifting and lowering into place. The shower base must fit square/plumb to adjacent walls and be rock solid under foot.
- Ensure the inside face of the upstand is flush with the gib (FIG 2). The Novastone shower bases are designed with an upstand that requires the tray to be fitted hard up against the timber framing and for the gib board to sit flush with the top of the upstand. This allows the waterproofing to cover that join between the upstand and gib, creating a waterproof seal.
- If the gib board has been fitted down to the floor and covering the framing where the base needs to be, you need to place the tray up against that area and using a pencil trace along the top of the upstand onto the gib.
- Remove the base and cut the gib along the pencil line with a gib cutter and remove. This will give you the necessary clearance to fit the base up against the framing.
- If required, use plastic packers to level the shower base in all directions, particularly through the drain channel (FIG 1).
- Once sitting level and in correct position, carefully remove tray. Secure packers to the floor to prevent them shifting when refitting tray.
- Once base is re-positioned, connect the waste trap to the shower tray..

FIG.1



FIG.2



SHOWER BASE

2. FIX THE SHOWER BASE IN PLACE

- Carefully stand shower on edge in vertical position.
- Apply daubs of construction adhesive where each vertical and parallel support meet, making a grid formation (FIG 3).
- Enough adhesive must be applied to contact with the floor and when set will provide a full and even support.
- Re-position shower base in place as per dry fit. Check again for level.
- Seal between top of upstand and bottom of Gib with silicone, ensuring the inside face of both are flush. (FIG 4)
- After 30 minutes you can proceed with care, full curing after 24 hours.

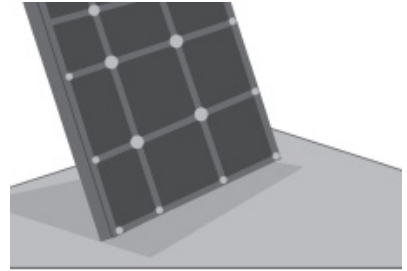


FIG.3

3. WATERPROOFING

Crest Showers recommends applying a waterproof bandage covering the join between the top of the upstand and the bottom of the Gib board before applying waterproofing membrane down to the bottom of the upstand. However, it is up to your registered waterproofer's discretion whether they wish to follow this recommendation.

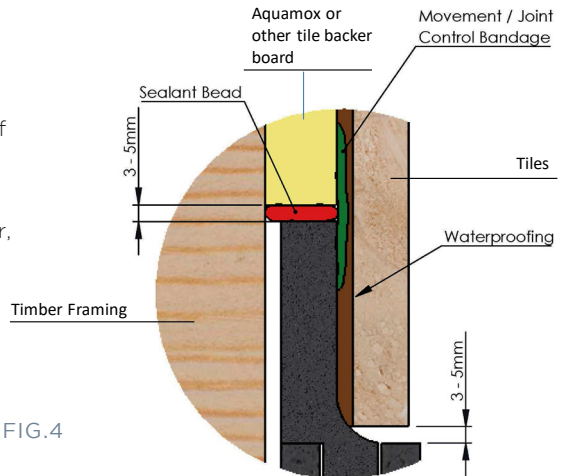


FIG.4

GLAZING CHANNELS

IMPORTANT: PLEASE MEASURE WALL CHANNELS

For hinged door showers, wall channels will measure 1935mm as standard.

For custom panels, your wall channels will measure 15mm less than your glass height.

4. TILING

If tiling the shower enclosure, ensure this is done after the wall channels are installed, and prior to fitting the glass panels.

5. INSTALLING GLAZING CHANNELS

- Use a 2 meter level to check walls are within 2-3mm of plumb.
- Align inside of wall channel with inside of glass recess on the interior side of the base. (FIG 5).
- When plumb, drill 2 holes (3.5mm) in wall channel, lining up with framing locations. (FIG 6). The top hole should be within 100mm of top of channel and the second hole within 1000mm of top of channel. No screws will be required lower than 1200mm up from bottom of base.
- Remove dust from holes and from inside glass recess.
- Clean underside of wall channel with a dry rag before running a thick bead (be very liberal to allow overflow and proper adhesion) of silicone in a continuous line down the entire length of the back of the wall channel (FIG 7) and in the junction between the bottom of the wall channel and glass recess (FIG 8).
- Inject silicone into and around screw holes (FIG 9). Ensure wall channel is plumb, then screw in place.

IMPORTANT:

As an added waterproofing precaution, you can apply a continuous bead of silicone down the whole length of wall channel either on the interior or exterior of the wall channel as at your discretion.

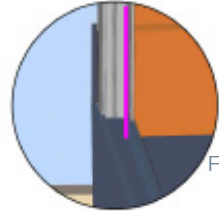


FIG.5

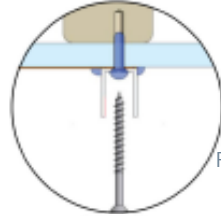


FIG.6

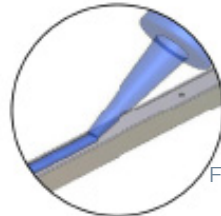


FIG.7

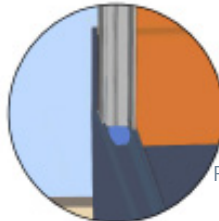


FIG.8

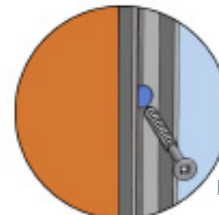


FIG.9

GLASS PANELS

IMPORTANT: We highly recommend dry fitting fixed panels prior to installation to ensure exact measurements of required sliding door gap is achieved as pictured in supplied dimension sheet. Ensure all fixed panels are plumb and level. Use setting blocks as detailed below to achieve this.

5. INSTALLING PANELS

- Place a spirit level on top of the floor channel, and insert packers under it to achieve a suitable level.
- Insert an 3mm packer in the wall/floor corner of the channel and add/remove packers, as determined above, at the other end of the panel.
- Repeat for remaining panels
- Ensure that the tops of the panels are all level and in line with each other. You may need to fine tune the packers to achieve this.
- When panels are correctly aligned, remove Panel 1 (FIG 10). and run a thick continuous line of silicone down the inside of the wall channel (FIG 11) and apply liberally in the wall to floor channel join and along the floor channel to the length of the glass panel.
- Now you need your caulk-ing gun with desired silicone color, black N60 for black channels , clear N60 for everything else, you want the nozzle tip as small as possible, starting at the top of the wall channel on the inside of the shower, you now need to pump the silicone into the channel, you need to press hard. The process will fill up the void, eliminate bubbles and complete the seal. Work your way down the wall channel and along the floor channel. Slide glass panel into position (FIG 12) to the inside edge of channel and against silicone. Repeat the process on the other side. Fill up outside edge of channel with more silicone, untill completely full, then spray with soapy water and tool off excess silicone 100%. Inspect and ensure you have a nice tidy finish.
- Ensure panel is still level and plumb.

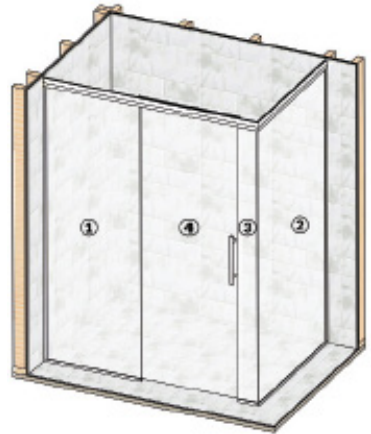


FIG.10

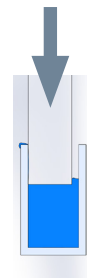


FIG.11

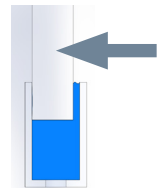


FIG.12

SLIDING DOOR TRACK

IMPORTANT:

Check the length of the sliding door track once the fixed panels are installed plumb and level. If necessary, you may need to trim (the square cut end) in order to obtain the exact correct length as the measurement after tiling has been done could vary slightly. Place the glass sliding door (still in it's packaging) inside the shower cubicle and out of the way before fitting the sliding door track.

6. DRY FITTING THE SLIDING DOOR TRACK

- With corner showers, use the grey corner block in the mitred corner (FIG 13) to support the join. This should press into the mitred corner, and be a tight snug fit.
- Once corner mitre has been fitted together, neatly drill 2x 3.5mm locating holes down through the top of the sliding door track (in the centre of the rebated slot) and 3.0mm pilot holes (30mm deep) into the nylon corner block (FIG 14).
- Screw in the self-tapper screws supplied. This will hold and lock the corner mitre block together.
- Carefully bruise the sharp corner of the mitre with a rounded screwdriver shaft or similar to remove the sharp edge of the external corner.

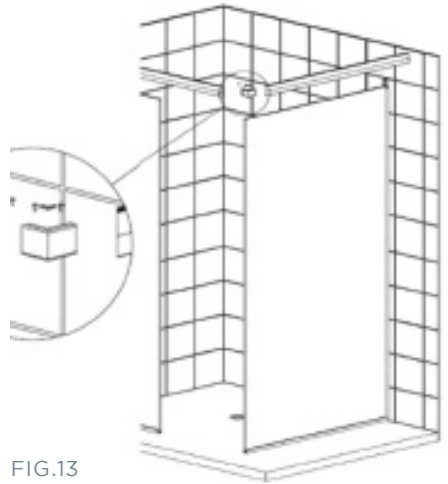


FIG.13

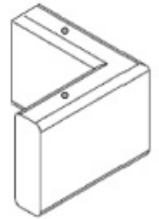


FIG.14

SLIDING DOOR TRACK

IMPORTANT:

Check the length of the sliding door track once the fixed panels are installed plumb and level. If necessary, you may need to trim (the square cut end) in order to obtain the exact correct length as the measurement after tiling has been done could vary slightly. Place the glass sliding door (still in it's packaging) inside the shower cubicle and out of the way before fitting the sliding door track.

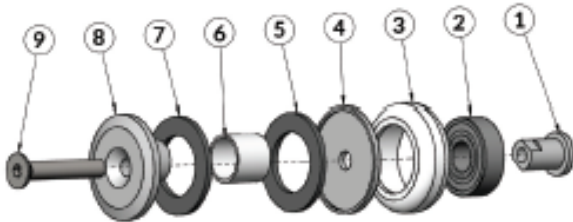


FIG.15

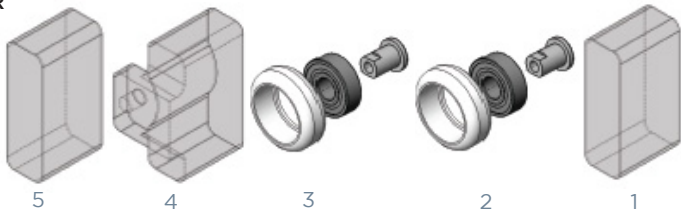
7. INSERT STOP BLOCKS, WHEELS AND WALL ANCHOR BLOCK

Slide the components into the sliding door track in the following order:

CORNER SHOWER

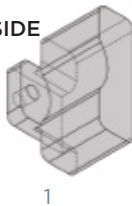
DOOR SIDE

1. Stop block
2. Wheel
3. Wheel
4. Stop block
5. Wall anchor



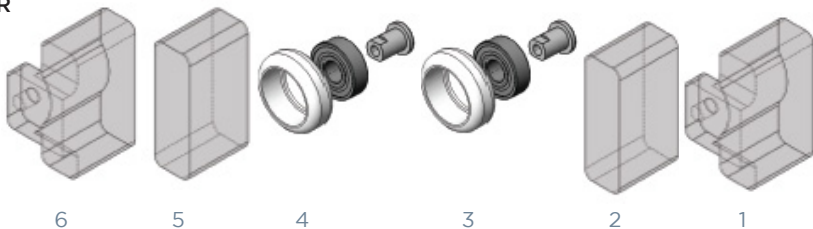
RETURN PANEL SIDE

1. Wall anchor



ALCOVE SHOWER

1. Wall anchor
2. Stop block
3. Wheel
4. Wheel
5. Stop block
6. Wall anchor



SLIDING DOOR TRACK

8. FITTING THE SLIDING DOOR TRACK

- Use 2mm setting blocks on top of fixed glass panels to prevent the sliding door track metal directly contacting the glass (FIG 19). Dry fit and position on top of glass.
- Ensure the Wall anchor block are fitted to the sliding track and offer it up into position.
- Double check the sliding door track is level. Adjust with setting blocks if necessary.
- When you are confident the track fits neatly and correctly in place, mark the top channel at the edge of the glass and, mark the wall anchor block screw position and remove sliding door track .
- If installing on a tiled wall, drill the anchor block holes and fit wall plugs as detailed in STEP 9.
- Place a generous bead of silicone in the underside groove of the sliding door track (FIG 20).

NOTE: DO NOT PUT A SILICONE BEAD ABOVE THE DOORWAY.

- Carefully refit the sliding door track with the silicone in the groove back onto the top of the glass panels.
- Press down and position the sliding door track into place. Check for level and support if needed with wooden setting blocks while the silicone sets.
- Clean off any silicone with soapy water from a spray bottle then scrape off the surplus silicone with the spatula. Repeat this procedure again until all the silicone has been removed and cleaned off glass.

9. SECURE THE WALL ANCHOR BLOCKS

- Once the sliding door track has been fitted and held in place, the wall anchor blocks can be moved into position towards the wall (FIG 21).
- Carefully drill and screw 1x 6 gauge stainless screw through the pre-holed tab and into the wall. As this is only taking side load (i.e. no tension load pulling the screw out) it is not imperative to have this screwing into solid wall fixing/nogging.
- Once the pilot hole for the screw has been drilled, fill the hole with silicone in order to seal off the hole.

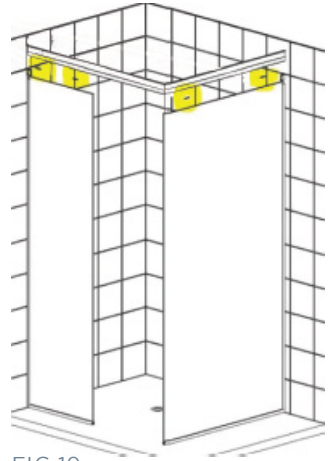


FIG.19

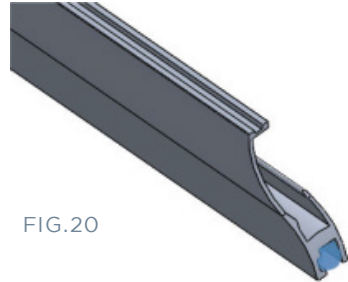


FIG.20

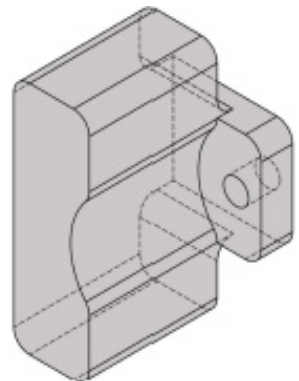


FIG.21

SLIDING DOOR TRACK

10. FITTING THE DOOR ROLLERS TO THE GLASS

- Ensure the recessed floor channel is free of debris.
- Apply a generous 30mm long bead of silicon into the channel recess, adjacent to the fixed panel already installed (FIG 23A).
- Butting the sliding door guide as close to the fixed panel as possible, push the door guide down into the recessed channel as pictured (FIG 23A). Note, the guide is designed to sit only one way.
- Clean off any silicone with soapy water from a spray bottle then scrape off the surplus silicone with the spatula.



11. FITTING THE DOOR ROLLERS TO THE GLASS

- Separate parts 4 through 6 (bush) from parts 7 through 9 (hub) (FIG 23).
- Unwrap door and place in correct position.
- With the bush and hub pre-assembly in the opposite sides of the holes (FIG 24), place the glass sliding door into position on the wooden wedges, aligning the roller wheel holes at the top of the door as close as possible to align with the rollers in track.
- Using the wooden wedges to raise and lower the door.
- Use the allen key to engage and screw in the bolt (9, FIG 24).

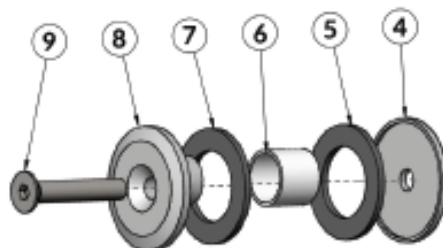


FIG.23

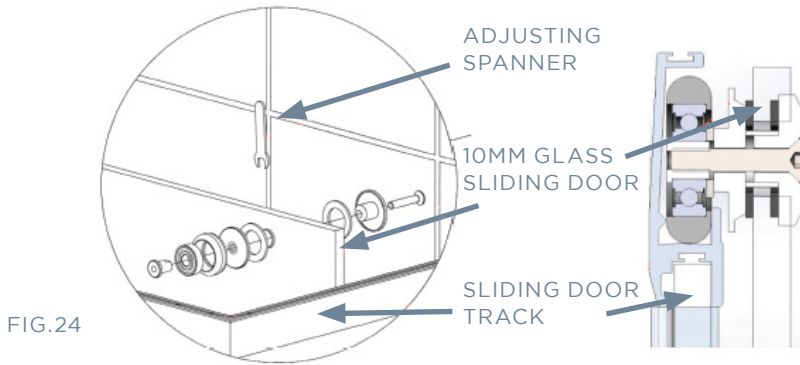


FIG.24

- Make sure the nylon washers are flat against the glass so no metal contacts the glass (5 & 7, FIG 24).
- Ensure the nylon bush is located correctly inside the hole to protect the glass from contacting the axle bolt.
- Slowly tighten the countersunk hex bolt and the wheel together and gently lock the assembly together so it is taking the weight of the door on the rollers.

GLASS PANELS

12. ADJUSTING THE DOOR HEIGHT

- Use the small spanner supplied to fit between the glass door and the track and onto the axle to hold or turn the offset hub to adjust the height of the door.
- By rotating the spanner and the set screw axle together, the door will lift or lower by up to 10mm.
- Ensure the vertical door faces line up and are parallel with the return or fixed panels.
- Once the door is set at the desired height to pass over the door guide at the bottom of the door, hold the axle with the spanner and do a final good strong tightening of the countersunk hex head bolt to lock the axle roller wheels into position.

13. FITTING THE DOOR HANDLE

- Remove the handle from the wrapper, dismantle and re-assemble onto either side of the door. Take care to ensure the plastic bushes are located inside the locator holes and the locking hex screws are tightened so the handle is tight and secure (FIG 25).

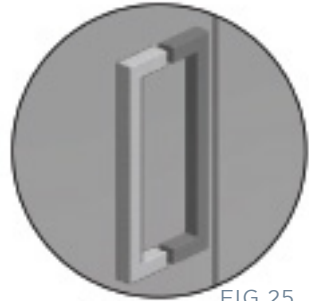


FIG.25

14. SETTING DOOR STOP BLOCKS

- Carefully move door to the open position (5-10mm before door handle strikes the glass) and slide along the plastic door stop up against the back wheel. Screw down through the top of the track (FIG 26).
- Repeat this for the closed position.
- Add PVC door seal to vertical face of door so the glass does not strike on the return glass panel.
- Check that the door does not strike in any position glass against glass or glass against metal handle.
- Before opening and closing the door too many times, use a damp cloth or similar to clean out any filings, swarf or debris on the inside of the sliding door track where the door rollers will be running. If this is not cleaned, the door or rollers will not run smoothly.

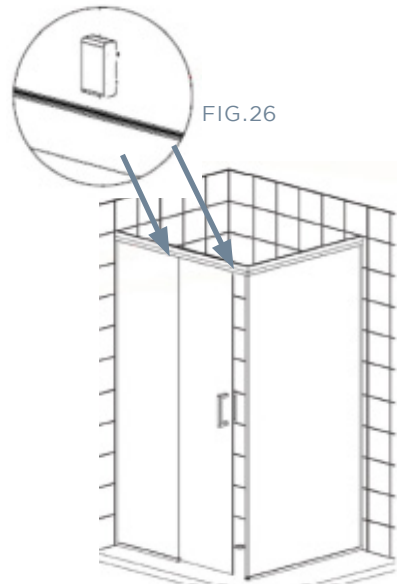


FIG.26

SHELVES

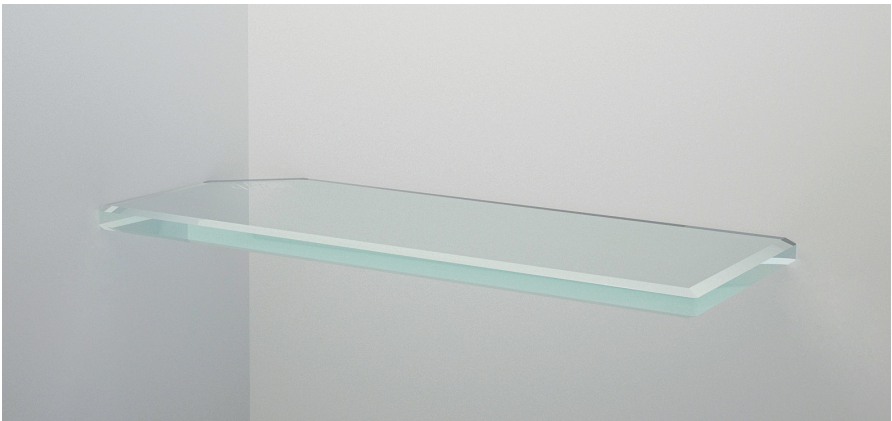
15. INSTALLING SHELVES

Crest Showers Floating Glass Shower Shelf can be installed in any corner of a glass or tile wall. If two shelves are installed in the same corner, ideal shelf heights off the floor are 1200 & 1600mm. When installed in different corners, an ideal height is 1400mm off the floor.

When installing onto Seratone, Hardiglaze or Similar, apply insulation/gaf-fa tape to the liner then adhere the stabiliser block on top of the tape. This makes the blocks easier to remove and protects the wall board surface.

We DO NOT recommend installing these on FLAT acrylic liners, due to adhesion difficulties. They are however, compatible with CREST moulded liners. If you do wish to use on an acrylic surface, ensure the acrylic liner where you are mounting the shelf is roughened with sandpaper and extra time is taken before shelf is used.

IMPORTANT: Protect the shower floor until adhesive has fully cured in case of the unlikely event that shelf/shower is disturbed and the shelf falls.



SHELVES

- Clean area shelf is being adhered, to ensuring it is free of any dust, soap scum, cleaners or any other substance.
- Remove plastic backing from stabiliser blocks and press firmly onto wall (FIG 27).
- Place the shelf in position to confirm that it is level. If required, adjust the stabiliser blocks to suit. Optional -apply insulation/gaffa tape to shelf/wall to prevent bleeding of the adhesive onto the wall or shelf.(FIG 28).
- Remove shelf and put a thin bead of adhesive down both edges of shelf (FIG 29)
- Carefully place shelf on stabiliser blocks and gently push into corner. Check the level and add additional blocks to top of shelf to hold in place while adhesive cures. (FIG 30).
- Clean up adhesive with spatula. Remove insulation/masking tape.
- After 24-48 hours remove stabiliser blocks (FIG 31).

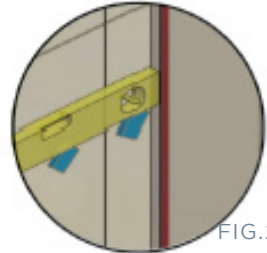


FIG.27

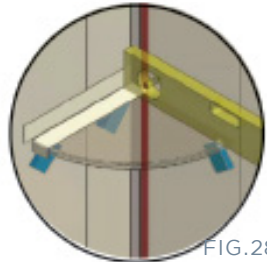


FIG.28

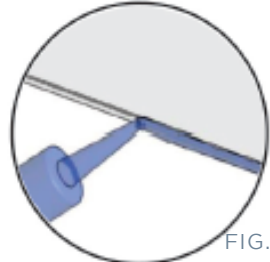


FIG.29

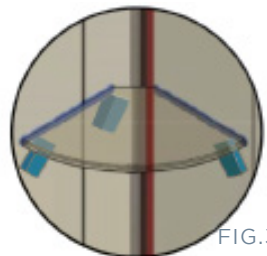


FIG.30

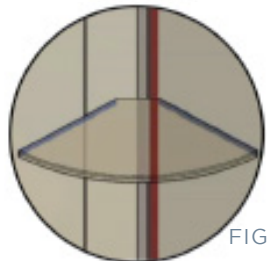


FIG.31

COMMISSIONING YOUR SHOWER

16. COMMISSIONING YOUR SHOWER

- Remove door wedges from underneath door.
NOTE: Door may drop at top up to 1mm as door wedges are removed.
- Open and close door a few times and check that the hinges are quiet. If not, open door half way, loosen hex screws slightly then re-tighten hinges.
- Check that top of door closes in line with return panel. If not, use packers and adjust hinges.
- Check that door springs closed to line up with return panel. If not, adjust hinges. Top and bottom hinges must be treated the same.
- Check that top of door is level with return panel. If not, loosen hex screws slightly, adjust height and re tighten.
- If required, slide drip seal onto bottom of door and trim fin (FIG 32). Seal should just miss top of base when door is shut. If gap between door and floor is too large, seal can be lowered up to 6mm.
- Clean glass and ensure no silicone residue remains on glass, channel or surrounding area.]

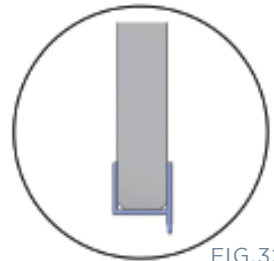


FIG.32

17. INSTALLATION WARRANTY

Your approved Crest shower installer should provide you with a written 5 year minimum installation workmanship warranty. Product warranty applies regardless of who has installed the shower.

CARE AND MAINTENANCE

18. CARE AND MAINTENANCE

You can keep your Novastone shower looking it's very best by following a few simple guidelines:

- Clean shower twice weekly using a mild detergent in warm water and a soft lint free cloth. Ensure channels, hinges and handle are properly cleaned.
- A quick wipe down with a shower squeegee after each use will prohibit water staining the glass.
- Do not use abrasive cleaners or high strength chemicals on your shower.

ROUTINE CARE

Use soapy water (mild dish soap) ammonia based cleaner, (not window cleaner) rinse and wipe completely dry.

DISINFECTING

Diluted bleach (1:1000) for disinfecting can be used, as long as it is rinsed off after a few minutes

RESTORE

Over time, even with proper care, the surface may acquire a patina, changing the appearance of the finish. The following steps can be taken to restore the look of your base.

- First, use soapy water, ammonia based cleaner, (not window cleaner) rinse and wipe completely dry.
- Second, start with a cleaner for removing water marks such as CLR.
- For hard marks and fine scratches use a mild abrasive cleaner such as Jif on a damp cloth and clean surface in circular motions.
- Rinse well and dry.
- Repeat process if necessary until film has been removed.

NOVASTONE WARRANTY

Crest Shower Systems warrants that when installed as per the supplied instructions, the Novastone Shower System will be free from manufacturing defects for a period of 25 years from the date of sale. This means that apart from the typical surface splash, no water will be allowed to leak into the building structure for a minimum of 25 years.

25 YEAR WARRANTY	10 YEAR WARRANTY
Novastone waterproof shower base	Glass screens, hardware and aluminium channels

All products supplied by Crest Shower Systems exceed the requirements of the New Zealand Building Code and all glass is manufactured to meet AS/NZS2208 1996 Grade A Safety Glass and is permanently marked as such in accordance with the code.

Crest Shower Systems will supply replacement parts or product at it's discretion, free of charge where product is covered by this warranty and proof of defect has been received within 100 days of first appearance. To ensure warranty remains valid, the supplied care and maintenance instructions must be adhered to and the Crest Warranty form supplied with the product must be complete and returned at time of purchase (hard copy or Online). Warranty is non-transferable.

Crest will be liable for the replacement of products or components including their installation, or for an equivalent product including its installation, should the supplied product or component be declared defective by an authorised Crest Shower Systems representative. Beyond this, Crest will not be liable for any damages including incidental or consequential damages related to the use of this product.

Warranty does not apply to the following situations:

- Shower has been improperly installed.
- Shower has been misused or damaged.
- Shower damaged or defective prior to installation.
- Supplied instructions were not adhered to during installation.
Note: Discretion must have been used at all times by installer as each situation may vary.
- Shattering panels due to the toughening process, cause cannot be determined.

WARNING

**THIS SHOWER HAS
JUST BEEN INSTALLED**

**PLEASE DO NOT WORK
IN OR AROUND THE
SHOWER UNTIL**

**Any queries, feel free to
ring me on**

**Best regards,
Your Shower Installer**

crest
showers

Head office and showroom

5 Stonehill Drive,
Wiri,
Auckland