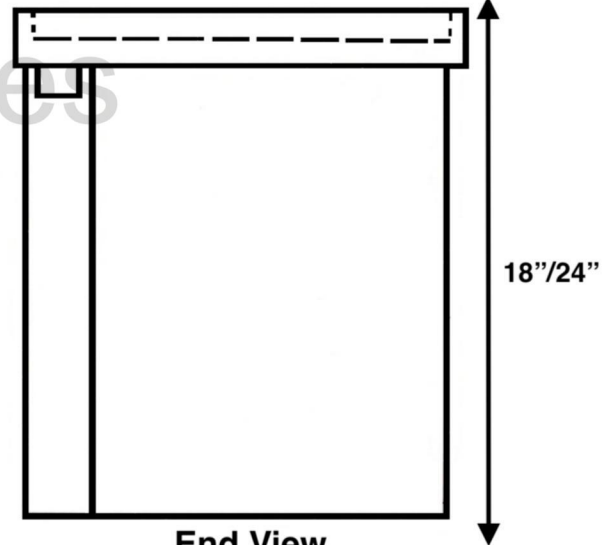
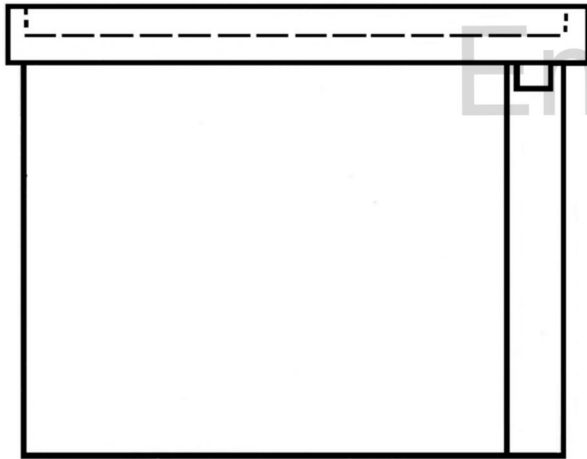
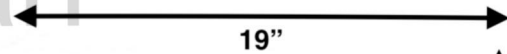
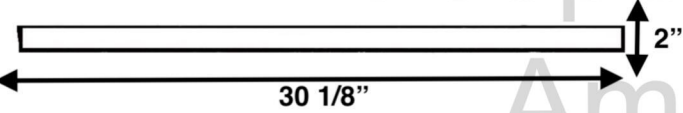
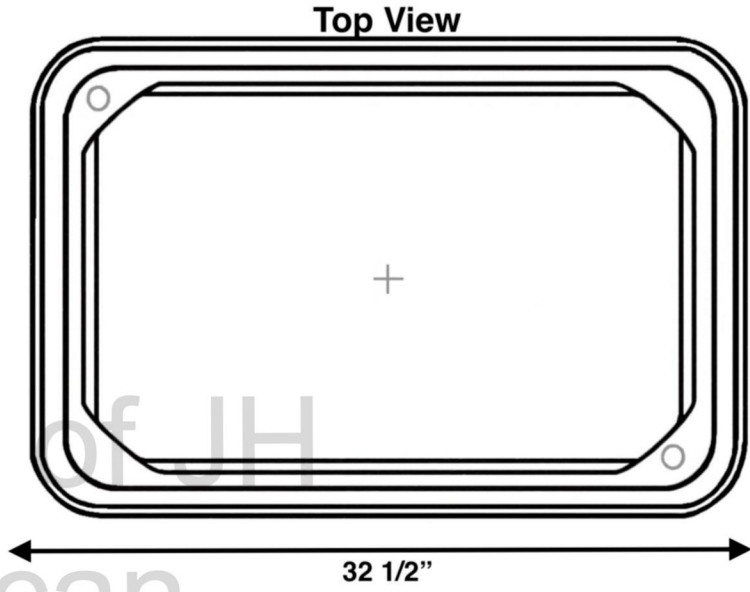
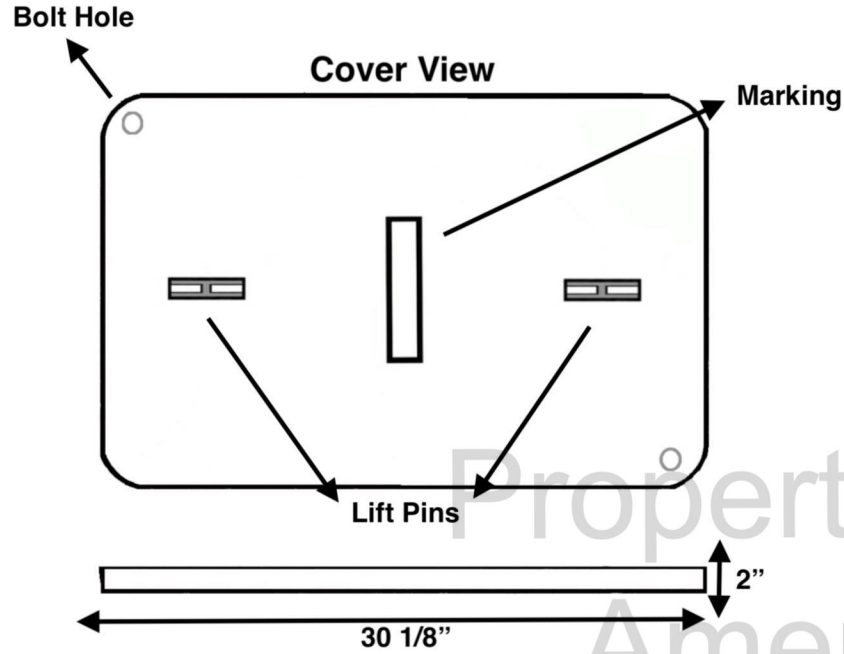


APC 173024 Polymer Concrete Box & Cover



JH American Enclosures
 Made from over 30 years of experience

PO Box 330596
Fort Worth, TX 76163
jh_american@yahoo.com

Loading Requirements
 Vertical
 Design Load: 22,500 lbs
 Test Load: 33,750 lbs

Lateral
 Design Load: 800 lbs/sq. ft.
 Test Load: 1,200 lbs/sq. ft.

Part No. APC173024
Body: Polymer Concrete
Cover: Polymer Concrete
Weight: 180lbs Tolerance: +/- 1/8"
Tier 22