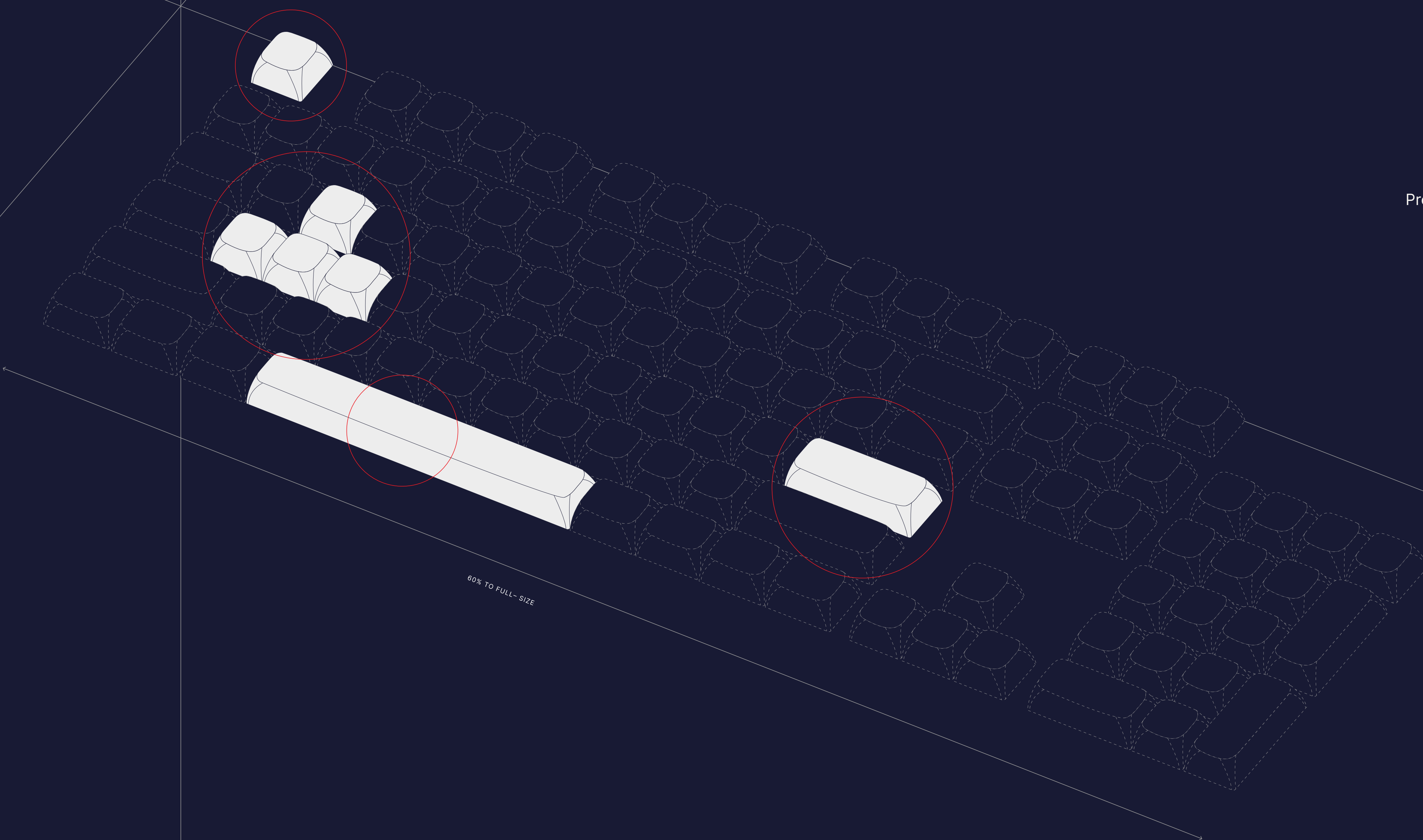


INNO FINI KEY

Custom Keyboard
Products and Services
Winter/Spring 2024



60% TO FULL-SIZE

INFINIKEY

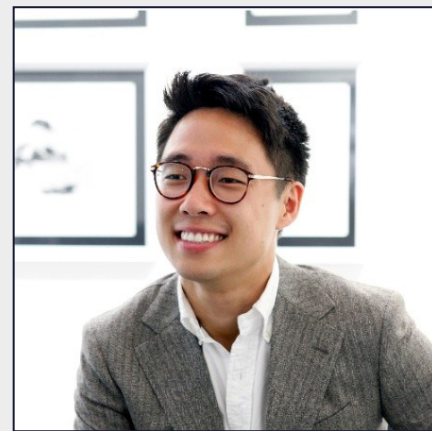
Welcome to the world of custom keyboard products!

Infinikey is the world's first and premiere B2B brand, providing businesses around the world with the quality, service, and accessibility needed to access the fastest growing peripheral market for custom keyboards and keyboard products.

In 2021, we realized the need for access and support around the world's most used yet most overlooked tool of the digital age. Companies and communities deserved access to keyboards with more brand presence, better ergonomics, higher productivity, and simply something more exciting than the mass-market grayscale we had grown accustomed to. Today, from Google to RIOT Games, we service hundreds of the world's leading tech, gaming, and esports brands for their keyboard merchandise, marketing, and corporate programs. Our team at Infinikey is equipped and ready to support all of your marketing, retail, and corporate needs with our unique products and experiences.

Looking forward to connecting with you soon.

Michael Lee, CEO of Mkro (Managing Company of Infinikey)



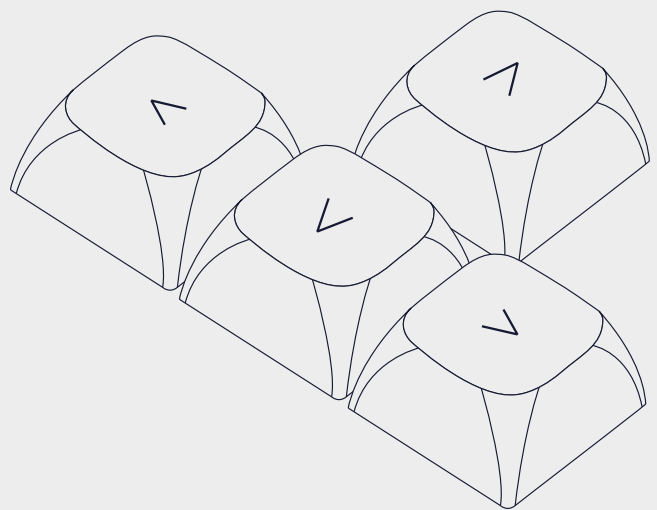
[Contact](#)

www.infinikey.xyz

partner@infinikey.xyz

CONTENTS

4	Guides	
	What Infinikey Provides	5
	The Infinikey Process	6
	Which Infinikey Product is Best For Me or My Company?	7
	What Can I Design on a Keycap?	8
	Navigating Infinikey Products	9
	Cherry Profile	
	Coverage/# of Keycaps	
	PBT Dye-Sublimation	
	Cost	
	Packaging	
<hr/>		
14	Keycap Products	
<hr/>		
25	Keyboard Products	
<hr/>		
29	Accessories	
	Deskmat	30
	Keychain	31
<hr/>		
32	Client Portfolio	

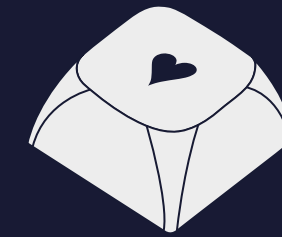


GUIDES

What Infinikey Provides	5
The Infinikey Process	6
Which Infinikey Product is Best For Me or My Company?	7
What Can I Design on a Keycap?	8
Navigating Infinikey Products	9
Cherry Profile	
Coverage/# of Keycaps	
PBT Dye-Sublimation	
Cost	
Packaging	

Your End-to-End Service Team

Don't worry about the little components and moving parts, our experienced team is prepped to support whatever you may need. This can include design and development, shipping and fulfillment, go-to-market strategy, and much more.



WHAT INFINIKEY PROVIDES

Our mission is to ensure that brands worldwide can access and leverage the fastest growing peripheral in their own business. Infinikey B2B client program is extensive and involves all of the following–

End-to-End Support

- + We understand that a brand new product category can be challenging to incorporate into your current pipeline. Market fit, design, production and QC, international logistics, and more - We've packed it all under the hood. Tell us what you are looking to achieve, and we'll achieve it for you.

[*What Product is Best For Me or My Company?*](#)

Your Daily Resources

- + You'll have questions and ideas. We'll have answers and opportunities. The Infinikey team's professionals are available to partners for each of their immediate and aspirational needs in the world of custom keyboards.

[*Detailed Keyboard Information*](#)

Go-to-Market Strategy

- + Developing a product in the keyboard category can be an exciting and challenging prospect. Our process, outlined in greater detail in the next section, incorporates extensive consideration of the current market before deploying products. We recognize that this is a new and growing market, and we take great care in helping partners make smart and guided decisions.

[*The Infinikey Process*](#)

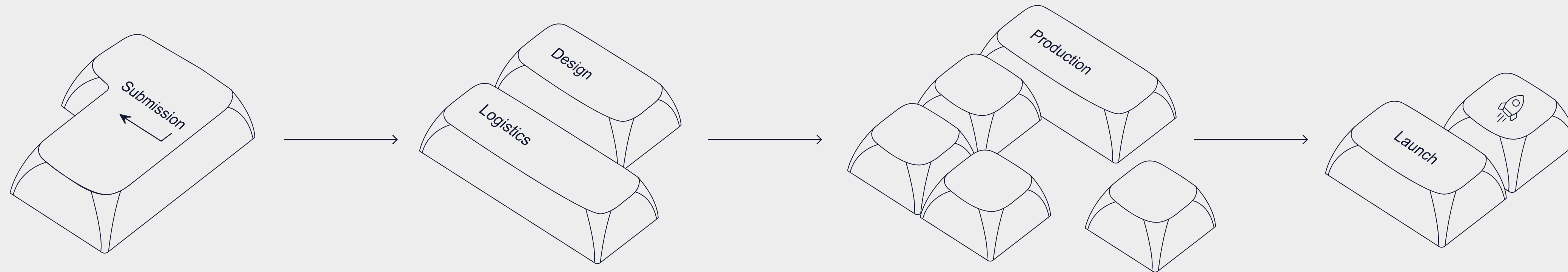
We Are Your Partner

- + Many of the products and programs you see in this catalog are the result of us tailoring our resources for various clients across diverse industries. As we continue to work deeply with tech companies, fashion brands, esports teams, peripheral manufacturers, influencers, etc., we expect to expand our offerings based on the specific needs of our partners. We welcome you to the Infinikey ecosystem and cannot wait to bring your brand desks around the world.

[*Our Client Portfolio*](#)

THE INFINIKEY PROCESS

The following is a full breakdown of the service Infinikey provides.



Submission Phase

- ↳ Choose products for your collection
- ↳ Submit an order request via this [form](#)
- ↳ Send assets or a design using our product and packaging templates

Design + Logistics Phase

- ↳ Infinikey will provide a render
- ↳ Infinikey will provide an invoice. If the product is sold as a preorder, an invoice will be provided once quantities are approved after the end of sale.
- ↳ Design will be submitted for prototyping
- ↳ Infinikey will provide marketing assets and information including product renders, flatlay diagram, and product details.

Production Phase

- ↳ Infinikey will first produce color samples to accurately convert digital colors to PBT keycaps
- ↳ With the chosen samples, 2 full prototypes including packaging will be produced. Multiple prototypes can be requested at additional cost.
- ↳ Once the prototype and packaging are approved, the order will go into full production.

Launch Phase

- ↳ Infinikey will arrange shipping to your provided address.

We generally recommend a minimum of 4 months between design submission and the delivery of the order. An additional 1-2 months are recommended for designs that involve licenses, 3rd-party properties, and/or additional approval processes.

WHICH INFINIKEY PRODUCT IS BEST FOR ME OR MY COMPANY?

If you're curious which product fits your specific needs most, here is a suggestion guide based on our experience working with hundreds of companies and their diverse needs.

[Our Client Portfolio](#)

Marketing

Maximizing brand awareness and engagement with a simple and permanent desk necessity

- [Individual Keycaps](#) The most affordable way to get your brand into the hands of the most customers. These branded keycaps will take up a permanent spot on mechanical keyboards everywhere.
- [Keychains](#) Turn that very branded keycap into an irresistible fidget toy.
- [Novelty Kits](#) For a bit more brand presence and collectibility, novelty kits include several custom keycaps that can take up a strong presence on keyboard users' devices while maintaining affordability.
- [Full Keyboards and Keycap Sets](#) BONUS PICK FOR SPONSORS Looking to attract major sponsors to your event/campaign or are a sponsor yourself? Don't just settle for logo placement and commercials. Become endemic in events and streams by stamping your branding on the peripherals used, sold, and enjoyed during the occasion.

Team Event

Give your colleagues a memorable and productive tool they can use everyday

- [Keyboard Bundle](#) These bundles come with everything an employee would need to put together a full keyboard. No knowledge or assembly skills required. Infinikey's team will include a guided online event to teach each participant how to put together their first custom typing tool.

Retail

Expand your retail and customer's experience to include the fastest growing peripheral category in tech

- [Keycap Set](#) As the popularity of mechanical keyboards continues to skyrocket, keycaps are the best physical product to engage your digital-first audience with. Swap out the black+white stock that comes with their RAZER and Logitech boards with ones that champion your brand.
- [Keyboard](#) Want a more all-in-one package for your customers? Provide an easy out-of-the-box experience with a fully customized keyboard that incorporates your branding assets.
- [Novelty Kit](#) Just like a keycap set in a more affordable offering, novelty kits are low cost ways to conquer a customer's desk real estate.
- [Desk mats](#) Mousepads are so 2010s. Desk mats cover the majority of a customer's desk and provide generous square footage to showcase your brand and designs.

WHAT CAN I DESIGN ON A KEYCAP?

The following are examples of design types that are possible across the face of keycaps–

Color Choices

The closest reference for PBT keycaps are Uncoated Pantone codes.



Fonts + Sublegends

Custom fonts, legend placement, and different or added languages are all possible with Infinikey's dye-sublimation. Want to do English and Korean? Korean and Katakana? All three?



Illustrations

We recommend vectors that can be manipulated on a program like Adobe Illustrator.



Images

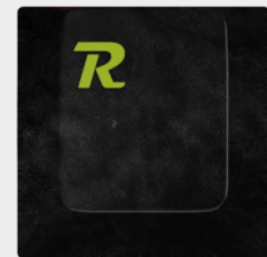
High-quality PNGs

If an image has multiple colors, it may be difficult to render those colors all accurately as the image needs to be manipulated as a whole.



Textures

Vectors or high quality PNGs



Side Legends

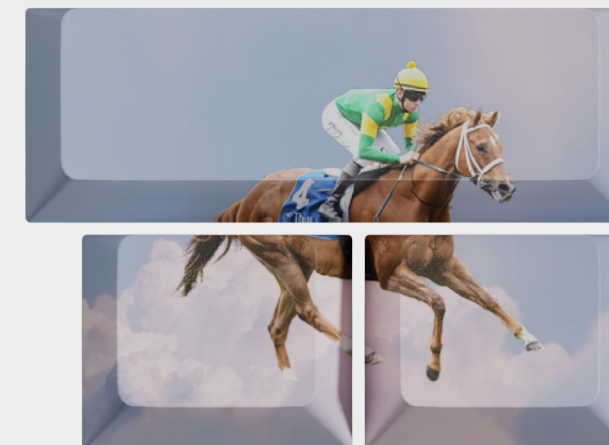
Letters and symbols can be placed on the front of the keycap as well. Colors are limited to a dark gray or white laser engraving.



Multi-Keycap Designs

Designs can span multiple keycaps or even the entire keycap set.

Due to the variation of keyboard proportions and coverage, images that span past the 60% coverage (from Tilde to Backspace and the left Control to right Control) may be distorted when placed on certain keyboard models.



Designs on Sides of Keycaps

Due to the dye-sublimation process, the accuracy and consistency of designs on the side of keycaps will be lower than the top face placement of design elements.



Infinikey's templates are the easiest way to realize your design vision on custom keycaps and keyboards. Using Adobe Illustrator and similar design software, we are able to render virtually any design and image on your next keyboard product.

Each product page has a link to its respective product and packaging templates.

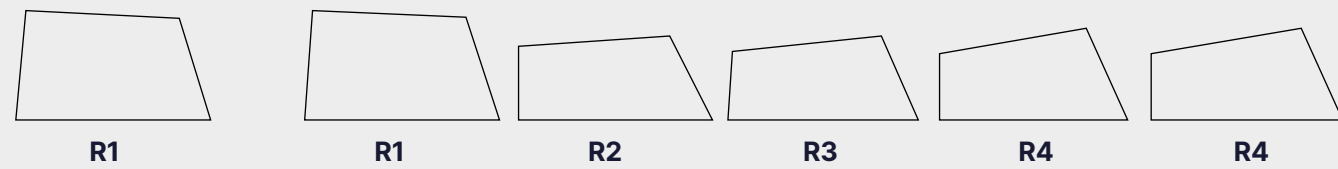
[Templates](#)

NAVIGATING INFINIKEY PRODUCTS

Each product page lists technical details on what is included in each unit or box as well as the method in which it was produced. The following are in-depth descriptions to the material choices and care put into each and every Infinikey product.

Cherry Profile

Cherry is a sculpted profile. A keyset with a sculpted profile means that each row of keys has a different shape and height. This matters when putting on keycaps: keycaps can't be used on the rows that they're not designed for.



SIDE VIEW OF KEYCAPS

Coverage/# of Keycaps

Keyboards come in all shapes and sizes, thus needing different quantities and types of keycaps. For example, a full-size keyboard utilizes a numpad while a 65% or 75% keyboard will vary in terms of its bottom-right modifiers. It is important to consider what type of keyboards your customers or community uses to choose the right product fit.

[116 Keycaps](#) Provides universal coverage for mechanical keyboards with MX-style switches, sizes 60% up to a standard full-size.

[99 Keycaps](#) Provides universal coverage for mechanical keyboards with MX-style switches, sizes 60% up to a Tenkeyless keyboard.

[17 Keycaps](#) Provides additional keycaps for mechanical keyboards with a numpad.

[9 Keycaps](#) Provides additional keycaps for mechanical keyboards with a UK ISO format.

Cost

Landed costs, and include the customs fees and expedited international shipping for US customers. Non-US orders are subject to changes in cost in accordance with local fees.

PBT Dye-Sublimation

Infinikey utilizes the highest quality PBT keycaps, a type of plastic rarely used in the general keyboard market due to its higher manufacturing cost, complex production, and quality control needs. The major benefit to PBT is the design flexibility and speed of prototyping afforded by dye-sublimation, a heat transferral method that allows us to realize virtually any design on the face of keycaps without the need for new molds.

There are different methods of dye-sublimation such as single-sided and all-over that affect pricing depending on the design.

Single-sided Sublimation film is applied only to the top face of the keycap. The base keycap's color is determined in the injection process. This method is less expensive, and selected when only the top face is used and darker than the base plastic color.



Letters and legends must be a darker color than the base keycap color. Images and designs are limited to the top face of each keycap.

PBT Dye-Sublimation (cont.)

All-over Sublimation film is applied to all visible (5) faces of the keycap. All design elements including base color are determined by the sublimation process. This method is more expensive and provides maximum customizability.



All letters and legends can be lighter than the base keycap color. Images and designs can use both the top and sides of the keycap.

Mixed Utilizes a combination of single-sided and all-over.



Alpha letters and numpad numbers must be a darker color than the base keycap color. Modifier legends can have lighter color than the base keycap color. Images and designs can use both the top and sides of the modifier keycaps.

With those in mind, the goal of the catalog is to provide a wide array of options, price points, and strategies to best leverage keyboard products into your company. If you are curious to see what various top companies have been able to do with our products and services, explore our portfolio on page 32.

[Client Portfolio](#)

NAVIGATING INFINIKEY PRODUCTS (CONT.)

Each product page includes packaging details and templates to help you customize your product's packaging.

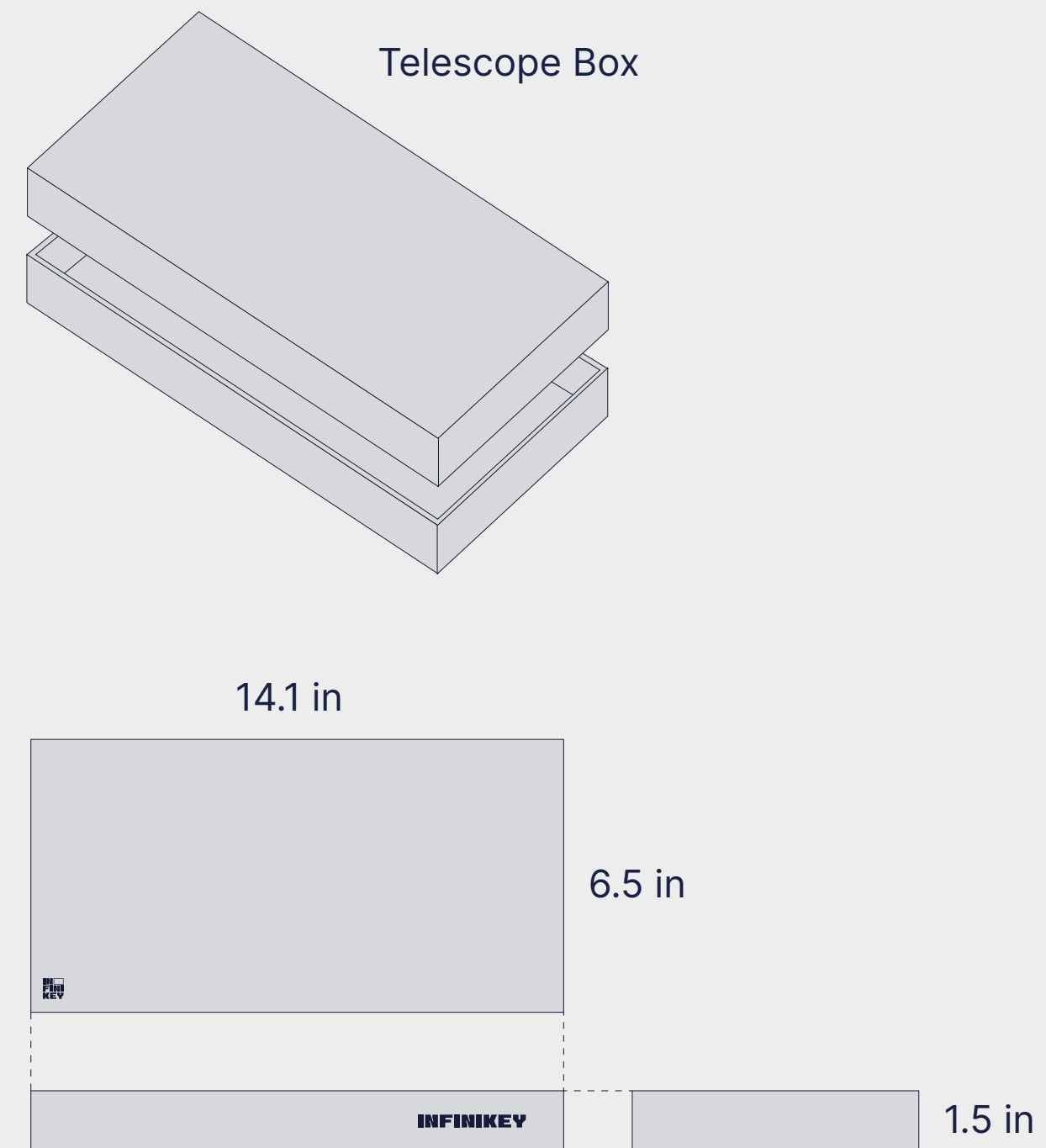
Packaging

Keycap Sets are packaged in custom cardstock box packaging and plastic trays

Dimensions: 14.1 × 6.5 × 1.6 in

Weight: 0.62 kg

[Packaging Template](#)



Top Image: Clackkeys Neon Dynasty Keycap Packaging
 Bottom Image: VShojo Ironmouse Keyset Packaging Render
[BONUS: Unboxing Team Liquid x Naruto Keyset Reel](#)

NAVIGATING INFINIKEY PRODUCTS (CONT.)

Each product page includes packaging details and templates to help you customize your product's packaging.

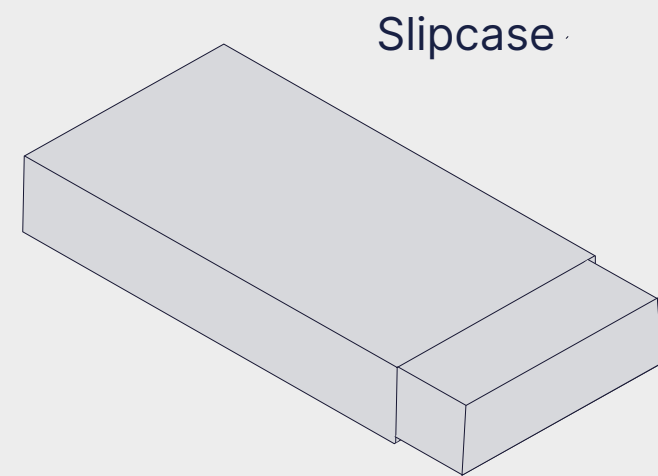
Packaging

Extension Kits are provided in custom cardstock sleeve packaging and plastic tray

Dimensions: 9.5 × 6.3 × 0.8 in

Weight: 0.02 kg

[Packaging Template](#)



NAVIGATING INFINIKEY PRODUCTS (CONT.)

Each product page includes packaging details and templates to help you customize your product's packaging.

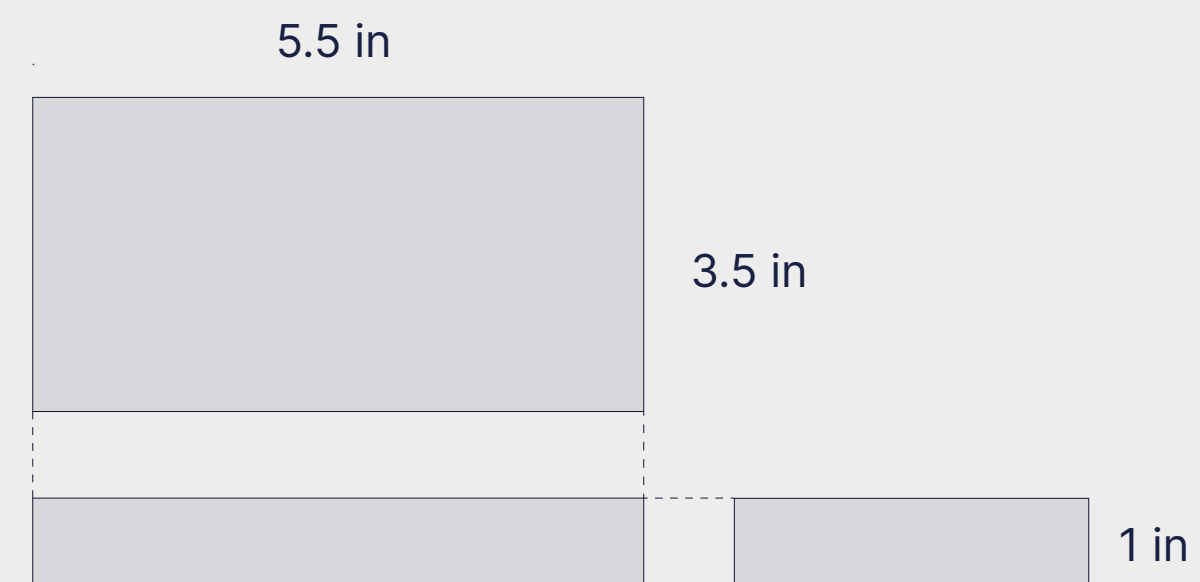
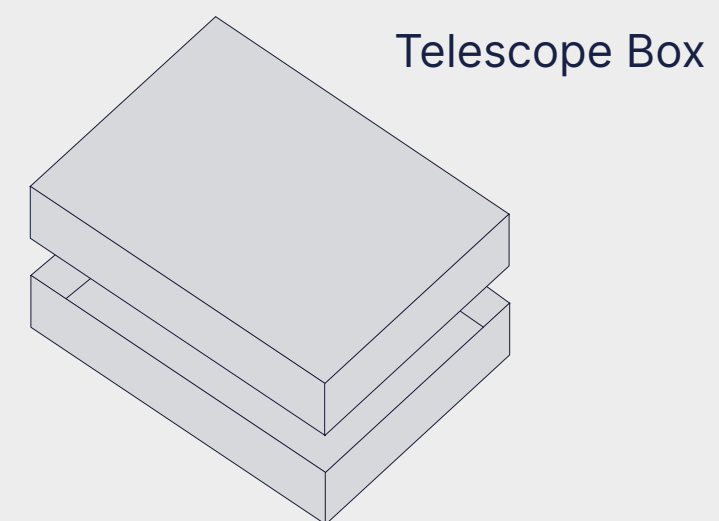
Packaging

Novelty Keycaps are provided in custom cardstock box

Dimensions: 5.5 × 3.5 × 1 in

Weight: 0.16 kg

[Packaging Template](#)



Top Image: Clackkeys, Magic: The Gathering Mana Kit Packaging
Bottom Image: VShojo Novelty Keycaps and Packaging Render

NAVIGATING INFINIKEY PRODUCTS (CONT.)

Each product page includes packaging details and templates to help you customize your product's packaging.

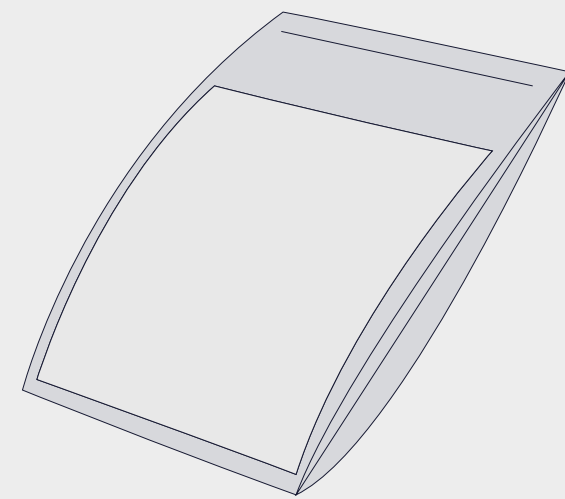
Packaging

Single Keycaps & Keychains are provided in bulk or individual sealed black bags

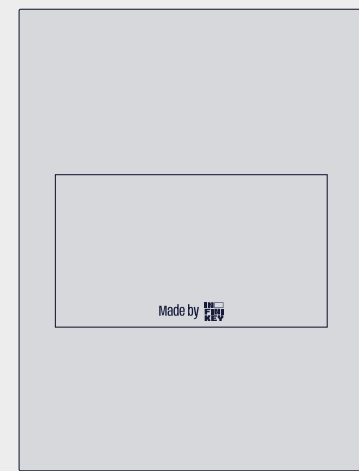
Dimensions: 90 × 120 mm

Weight: 0.01 kg

[Sticker Template](#)



Front with Clear Window



Back with Custom Sticker



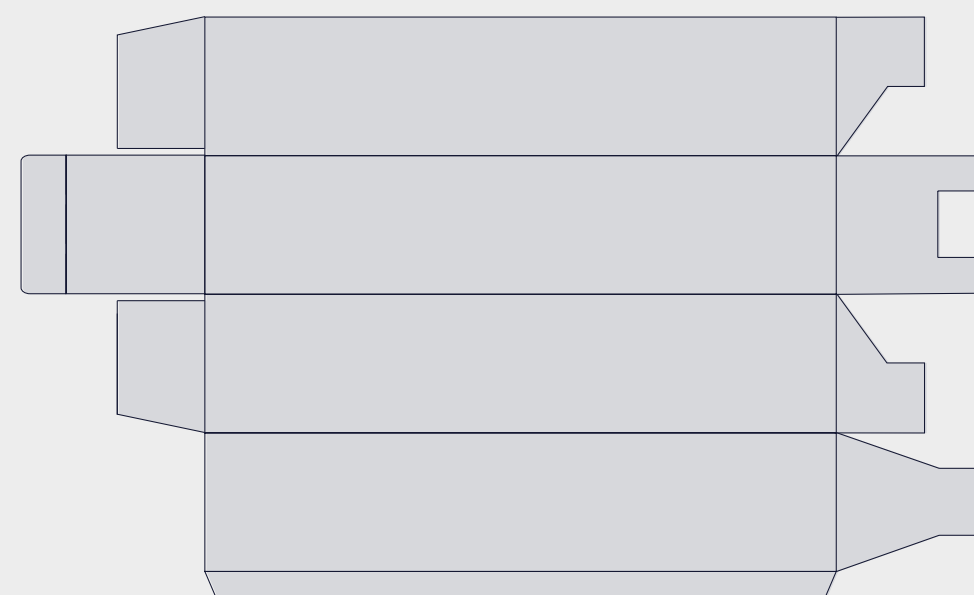
Desk mats are provided in Blank EVA bag

Custom box packaging is available at 500 MOQ

Box Dimensions: 16.1 × 3.5 × 3.5 in

Box Weight: 0.98 kg

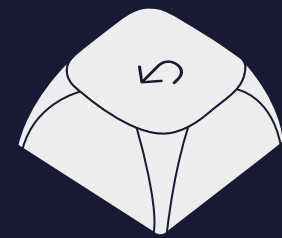
[Packaging Template](#)



Top Image: Marketing SWAG Samples
 Bottom Image: Clackey's, Neon Dynasty Deskmat Packaging

Revolutionizing Today's Most- Used Tool

You deserve a keyboard that does more.
After all, you depend on it for your work, gaming,
and everyday life.



KEYCAP PRODUCTS

Keyset A1	Single-Sided Full Keycap Set	15
Keyset A2	Single-Sided Tenkeyless Keycap Set	16
Keyset B1	Mixed Full Keycap Set	17
Keyset B2	Mixed Tenkeyless Keycap Set	18
Keyset C1	All-Over Full Keycap Set	19
Keyset C2	All-Over Tenkeyless Keycap Set	20
Extensions Kit		
	Numpad	21
	UK ISO	22
Single Cap		23
Novelty Kit		24

KEYSET A1 / SINGLE-SIDED FULL KEYCAP SET

Details*

Cherry Profile
 PBT Plastic
 Single-sided dye-sublimation
 116 Keycaps

[Keycap Template](#)

Pricing*

MOQ	UNIT PRICING (LDP)	EX-FACTORY	PACKAGING OPTIONS
100	\$65.00 ea	\$53.00 ea	Standard Box w/ Custom Sticker
300	\$58.00 ea	\$46.00 ea	Custom Box
500	\$52.00 ea	\$40.00 ea	Custom Box
750	\$51.00 ea	\$39.00 ea	Custom Box
1000	\$48.00 ea	\$36.00 ea	Custom Box
1500	\$47.00 ea	\$35.00 ea	Custom Box
2000	\$44.00 ea	\$32.00 ea	Custom Box

[Sticker Template](#)

[Box Template](#)



* View Guides → Navigating Infinikey Products section for in-depth information

KEYSET A2 / SINGLE-SIDED TENKEYLESS KEYCAP SET

Details*

Cherry Profile
 PBT Plastic
 Single-sided dye-sublimation
 99 Keycaps

[Keycap Template](#)

Pricing*

MOQ	UNIT PRICING (LDP)	EX-FACTORY	PACKAGING OPTIONS
100	\$55.00 ea	\$43.00 ea	Standard Box w/ Custom Sticker
300	\$49.00 ea	\$37.00 ea	Custom Box
500	\$46.00 ea	\$34.00 ea	Custom Box
750	\$45.00 ea	\$33.00 ea	Custom Box
1000	\$43.00 ea	\$31.00 ea	Custom Box
1500	\$42.00 ea	\$30.00 ea	Custom Box
2000	\$40.00 ea	\$28.00 ea	Custom Box

[Sticker Template](#)

[Box Template](#)



* View Guides → Navigating Infinikey Products section for in-depth information

KEYSET B1 / MIXED FULL KEYCAP SET

Details*

Cherry Profile
 PBT Plastic
 Mixed dye-sublimation
 116 Keycaps

[Keycap Template](#)

Pricing*

MOQ	UNIT PRICING (LDP)	EX-FACTORY	PACKAGING OPTIONS
100	\$70.00 ea	\$58.00 ea	Standard Box w/ Custom Sticker
300	\$65.00 ea	\$53.00 ea	Custom Box
500	\$61.00 ea	\$49.00 ea	Custom Box
750	\$60.00 ea	\$48.00 ea	Custom Box
1000	\$57.00 ea	\$45.00 ea	Custom Box
1500	\$55.00 ea	\$43.00 ea	Custom Box
2000	\$52.00 ea	\$40.00 ea	Custom Box

[Sticker Template](#)

[Box Template](#)



* View Guides → Navigating Infinikey Products section for in-depth information

KEYSET B2 / MIXED TENKEYLESS KEYCAP SET

Details*

Cherry Profile

PBT Plastic

Mixed dye-sublimation

99 Keycaps

[Keycap Template](#)

Pricing*

MOQ	UNIT PRICING (LDP)	EX-FACTORY	PACKAGING OPTIONS
100	\$60.00 ea	\$48.00 ea	Standard Box w/ Custom Sticker
300	\$56.00 ea	\$44.00 ea	Custom Box
500	\$53.00 ea	\$41.00 ea	Custom Box
750	\$51.00 ea	\$39.00 ea	Custom Box
1000	\$49.00 ea	\$37.00 ea	Custom Box
1500	\$47.00 ea	\$35.00 ea	Custom Box
2000	\$44.00 ea	\$32.00 ea	Custom Box

[Sticker Template](#)

[Box Template](#)



* View Guides → Navigating Infinikey Products section for in-depth information

KEYSET C1 / ALL-OVER FULL KEYCAP SET

Details*

Cherry Profile

PBT Plastic

All-over dye-sublimation

116 Keycaps

[Keycap Template](#)

Pricing*

MOQ	UNIT PRICING (LDP)	EX-FACTORY	PACKAGING OPTIONS
100	\$80.00 ea	\$68.00 ea	Standard Box w/ Custom Sticker
300	\$76.00 ea	\$64.00 ea	Custom Box
500	\$73.00 ea	\$61.00 ea	Custom Box
750	\$71.00 ea	\$59.00 ea	Custom Box
1000	\$68.00 ea	\$56.00 ea	Custom Box
1500	\$65.00 ea	\$53.00 ea	Custom Box
2000	\$62.00 ea	\$50.00 ea	Custom Box

[Sticker Template](#)

[Box Template](#)



* View Guides → Navigating Infinikey Products section for in-depth information

KEYSET C2 / ALL-OVER TENKEYLESS KEYCAP SET

Details*

Cherry Profile

PBT Plastic

All-over dye-sublimation

99 Keycaps

[Keycap Template](#)

Pricing*

MOQ	UNIT PRICING (LDP)	EX-FACTORY	PACKAGING OPTIONS
100	\$72.00 ea	\$60.00 ea	Standard Box w/ Custom Sticker
300	\$68.00 ea	\$56.00 ea	Custom Box
500	\$66.00 ea	\$54.00 ea	Custom Box
750	\$64.00 ea	\$52.00 ea	Custom Box
1000	\$61.00 ea	\$49.00 ea	Custom Box
1500	\$59.00 ea	\$47.00 ea	Custom Box
2000	\$56.00 ea	\$44.00 ea	Custom Box

[Sticker Template](#)

[Box Template](#)



* View Guides → Navigating Infinikey Products section for in-depth information

EXTENSIONS KIT - NUMPAD**

Details*

Cherry Profile

PBT Plastic

Dye-sublimation

17 Keycaps

[Numpad Template](#)

Pricing*

MOQ	UNIT PRICING (LDP)	PACKAGING OPTIONS
100	\$18.00 ea	Standard Black Sleeve w/ Sticker
300	\$17.50 ea	Standard Black Sleeve w/ Sticker
500	\$17.00 ea	Standard Black Sleeve w/ Sticker
750	\$16.50 ea	Standard Black Sleeve w/ Sticker
1000	\$16.00 ea	Standard Black Sleeve w/ Sticker
1500	\$15.00 ea	Custom Box Sleeve
2000	\$14.50 ea	Custom Box Sleeve

(Includes All Colorway Variants)

[Sticker Template](#)

[Sleeve Template](#)



** This is an ADD-ON item for keycap set orders
 * View Guides → Navigating Infinikey Products section for in-depth information

EXTENSIONS KIT - UK ISO**

Details*

Cherry Profile

PBT Plastic

Dye-sublimation

9 Keycaps

[UK ISO Template](#)

Pricing*

MOQ	UNIT PRICING (LDP)	PACKAGING OPTIONS
100	\$14.00 ea	Standard Black Sleeve w/ Sticker
300	\$13.50 ea	Standard Black Sleeve w/ Sticker
500	\$13.00 ea	Standard Black Sleeve w/ Sticker
750	\$12.50 ea	Standard Black Sleeve w/ Sticker
1000	\$12.00 ea	Standard Black Sleeve w/ Sticker
1500	\$11.00 ea	Custom Box Sleeve
2000	\$10.50 ea	Custom Box Sleeve

(Includes All Colorway Variants)

[Sticker Template](#)

[Sleeve Template](#)



** This is an ADD-ON item for keycap set orders
 * View Guides → Navigating Infinikey Products section for in-depth information

SINGLE CAP

Details*

Cherry Profile

PBT Plastic

Dye-sublimation

1 Keycap

[Single Cap Template](#)

Pricing*

MOQ	UNIT PRICING (LDP)	PACKAGING OPTIONS
300	\$3.25 ea	Bulk Package or Standard Bag w/ Sticker
500	\$2.50 ea	Bulk Package or Standard Bag w/ Sticker
750	\$2.30 ea	Bulk Package or Standard Bag w/ Sticker
1000	\$2.00 ea	Bulk Package or Standard Bag w/ Sticker
1500	\$1.85 ea	Bulk Package or Standard Bag w/ Sticker
2000	\$1.60 ea	Bulk Package or Standard Bag w/ Sticker

(Includes All Colorway Variants)

[Sticker Template](#)



Right Image: Freshcut ESC Keycap
 * View Guides → Navigating Infinikey Products section for in-depth information

NOVELTY KIT

Details*

- Cherry Profile
- PBT Plastic
- Dye-sublimation
- 7-10 Keycaps

[Single Cap Novelty Kit Template](#)

[WASD Novelty Kit Template](#)

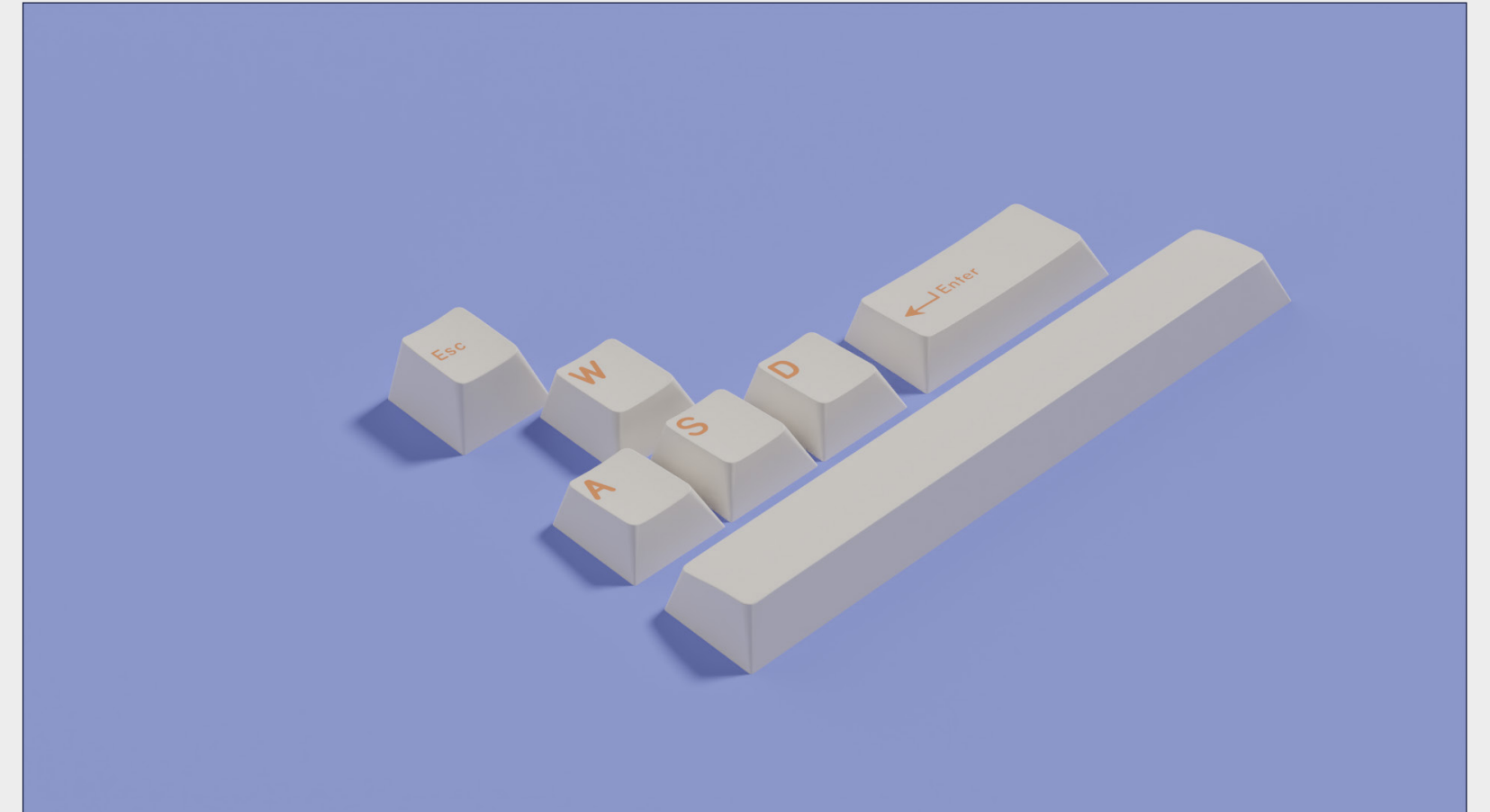
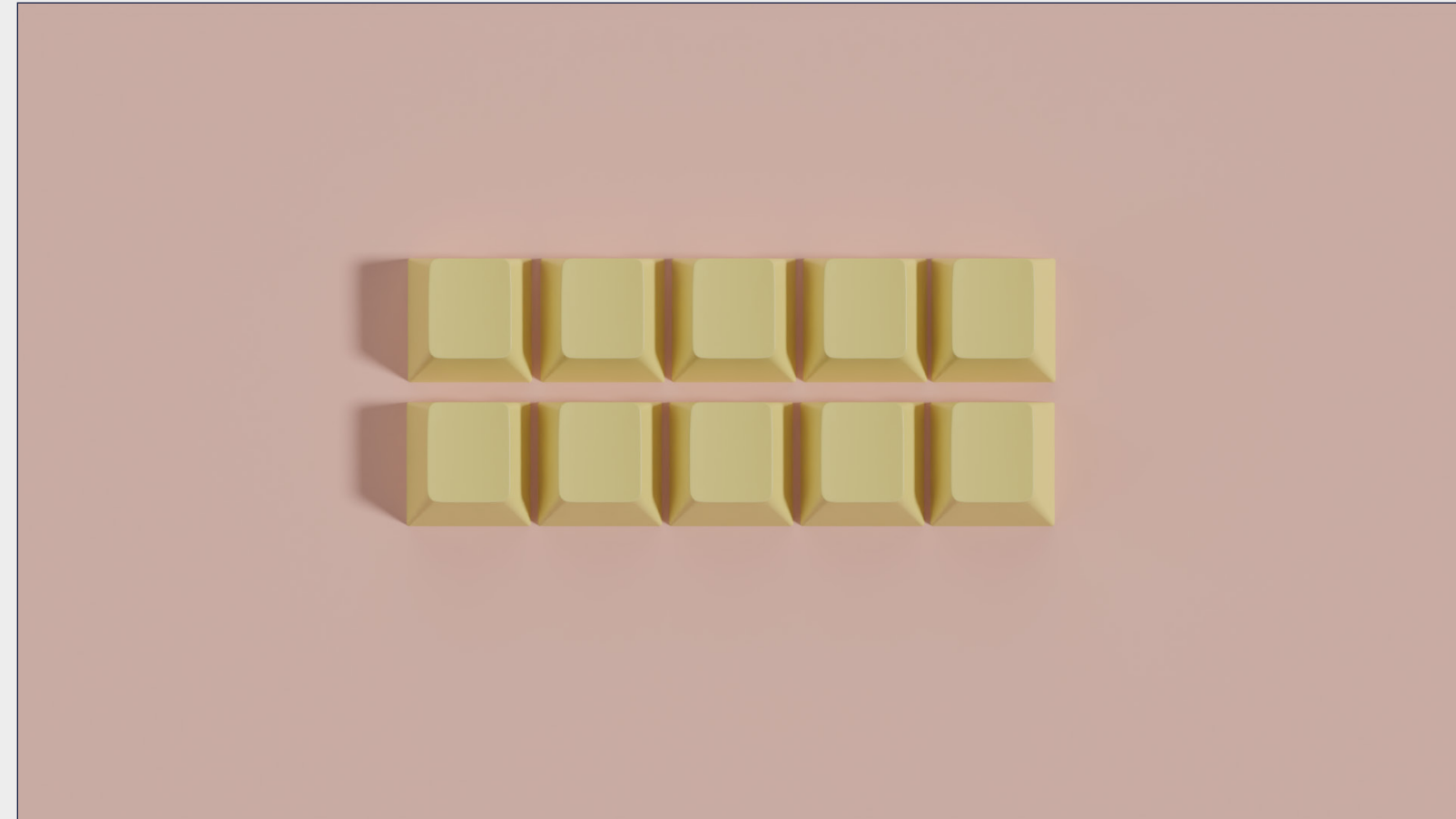
Pricing*

MOQ	UNIT PRICING (LDP)	PACKAGING OPTIONS
300	\$15.00 ea	Standard Box w/ Sticker
500	\$13.50 ea	Standard Box w/ Sticker
750	\$11.00 ea	Standard Box w/ Sticker
1000	\$9.75 ea	Custom Box
1500	\$8.85 ea	Custom Box
2000	\$7.95 ea	Custom Box

(Includes All Colorway Variants)

[Sticker Template](#)

[Box Template](#)



Images

Bottom Left: Magic: The Gathering Mana Kit

Bottom Right: PAX Novelties

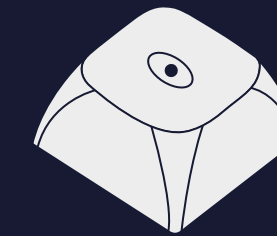
* View Guides → Navigating Infinikey Products section for in-depth information

KEYBOARD PRODUCTS

AKKO	ACR PRO 75	26
	5075S	27
	5108S	28

Customized to Your Vision

Infinikey supplies custom mechanical keyboard products to businesses worldwide. Whether you're looking for a new product for your store or a company keyboard for colleagues, our one-of-a-kind service will bring your vision to your fingertips.



AKKO - ACR PRO 75

Details

Materials:	Aluminum
Coverage:	75%
Keyboard Colors:	Black or White, Custom Color available at 200 MOQ
Switches:	Tactile or Linear
Switch Colors:	Options available based on supply
Connectivity:	Wired Type-C
RGB:	Yes
N-Key Rollover (NKRO):	Yes
Hot-Swappable:	Yes
Dimensions:	329 × 144 × 30 mm
Weight:	Approx. 0.8 kg

[Product Link](#)

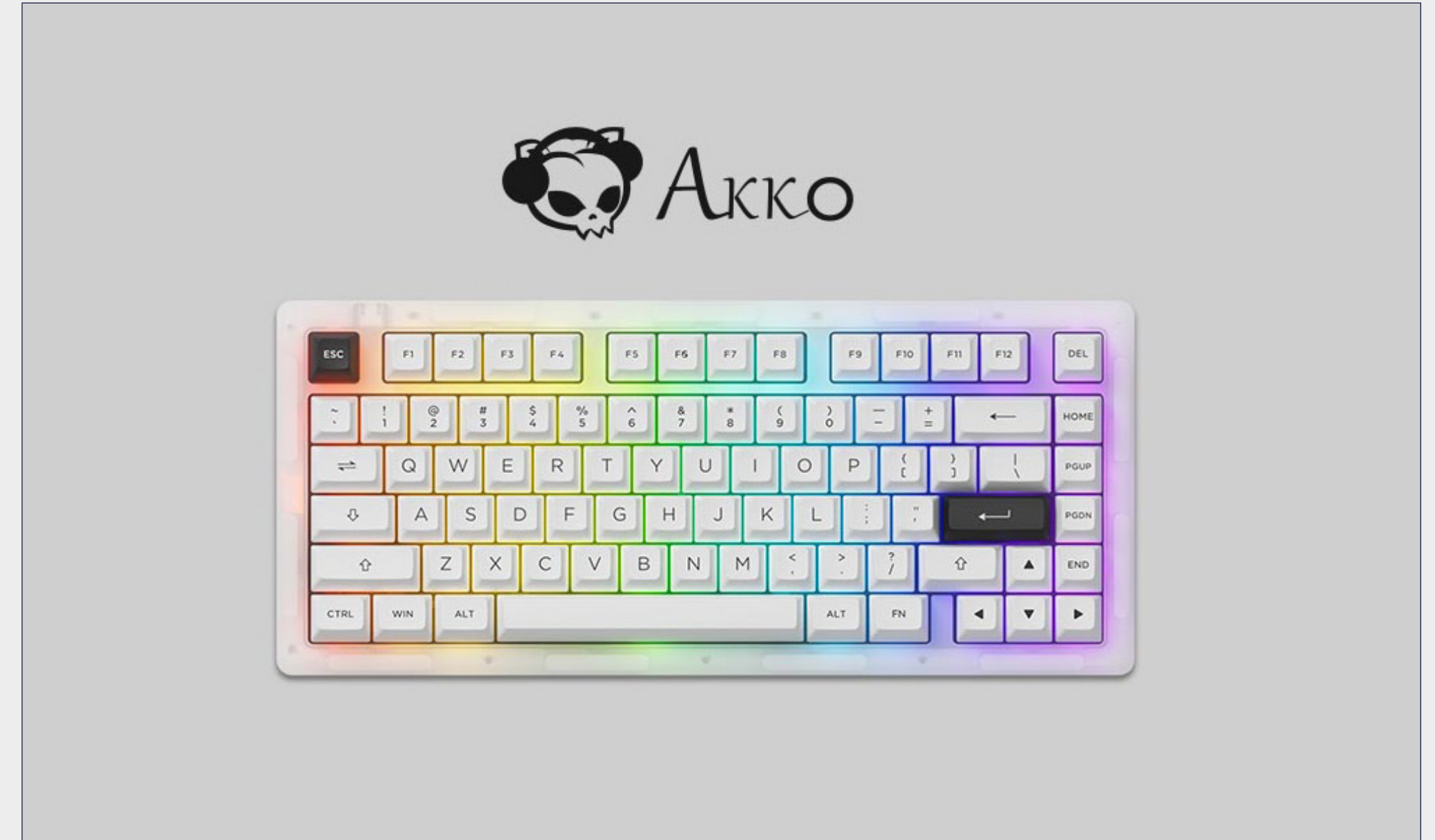
Pricing

MOQ	UNIT PRICING (LDP)	KEYCAP CUSTOMIZATION	KEYBOARD CUSTOMIZATION	PACKAGING OPTIONS
100	\$210.00 ea	All Keycaps	Custom Badge Image Black or White Keyboard Color	Custom Packaging Sleeve
200	\$200.00 ea	All Keycaps	Custom Keyboard Color	Custom Packaging Sleeve
300	\$195.00 ea	All Keycaps	Custom Keyboard Color	Custom Packaging Sleeve
500	\$190.00 ea	All Keycaps	Custom Keyboard Color	Custom Packaging Sleeve
1000	\$180.00 ea	All Keycaps	Custom Keyboard Color	Custom Packaging Sleeve

(Keycap Customization Includes All Colorway Variants)

[Badge Template](#)

[Sleeve Template](#)



Left Images: AKKO ACR PRO 75, Sourced from AKKO
 Right Image: VShojo Haruka Keyboard Badge

AKKO - 5075S

Details

- Materials: ABS
- Coverage: 75%
- Keyboard Colors: Black or White
- Switches: Tactile or Linear
- Switch Colors: Options available based on supply
- Connectivity: Wired Type-C
- RGB: Yes
- N-Key Rollover (NKRO): Yes
- Hot-Swappable: Yes
- Dimensions: 335 × 146 × 42 mm
- Weight: Approx. 0.88 kg

[Product Link](#)

Pricing

MOQ	UNIT PRICING (LDP)	KEYCAP CUSTOMIZATION	KEYBOARD CUSTOMIZATION	PACKAGING OPTIONS
<100	\$145.00 ea	ESC and Enter Keys	Black or White Keyboard Color	Custom Packaging Sleeve
100	\$135.00 ea	All Keycaps	Black or White Keyboard Color	Custom Packaging Sleeve
300	\$130.00 ea	All Keycaps	Black or White Keyboard Color	Custom Packaging Sleeve
500	\$125.00 ea	All Keycaps	Black or White Keyboard Color	Custom Packaging Sleeve
1000	\$120.00 ea	All Keycaps	Black or White Keyboard Color	Custom Packaging Sleeve

(Keycap Customization Includes All Colorway Variants)

[Sleeve Template](#)



AKKO - 5108S

Details

- Materials: ABS
- Coverage: Standard Full-Size
- Keyboard Colors: Black or White
- Switches: Tactile or Linear
- Switch Colors: Options available based on supply
- Connectivity: Wired Type-C
- RGB: Yes
- N-Key Rollover (NKRO): Yes
- Hot-Swappable: Yes
- Dimensions: 442 × 132 × 41 mm
- Weight: Approx. 1.2 kg

[Product Link](#)

Pricing

MOQ	UNIT PRICING (LDP)	KEYCAP CUSTOMIZATION	KEYBOARD CUSTOMIZATION	PACKAGING OPTIONS
<100	\$145.00 ea	ESC and Enter Keys	Black or White Keyboard Color	Custom Packaging Sleeve
100	\$135.00 ea	All Keycaps	Black or White Keyboard Color	Custom Packaging Sleeve
300	\$130.00 ea	All Keycaps	Black or White Keyboard Color	Custom Packaging Sleeve
500	\$125.00 ea	All Keycaps	Black or White Keyboard Color	Custom Packaging Sleeve
1000	\$120.00 ea	All Keycaps	Black or White Keyboard Color	Custom Packaging Sleeve

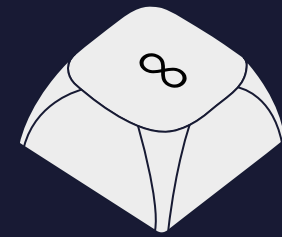
(Keycap Customization Includes All Colorway Variants)

[Sleeve Template](#)



We Help You Build Your Brand

Keyboards are the next big thing for the creator economy, translating your brand and professionalism for your fans. Influencers, streamers, startup brands-give your community a way to connect with you every day, on their desks.



ACCESSORIES

Deskmat

30

Keychains

31

DESKMAT

Details

Material: Polyester + Natural Rubber

Imaging Process: Dye-sublimation*

Dimensions: 900 × 400 mm

Thickness: 4 mm

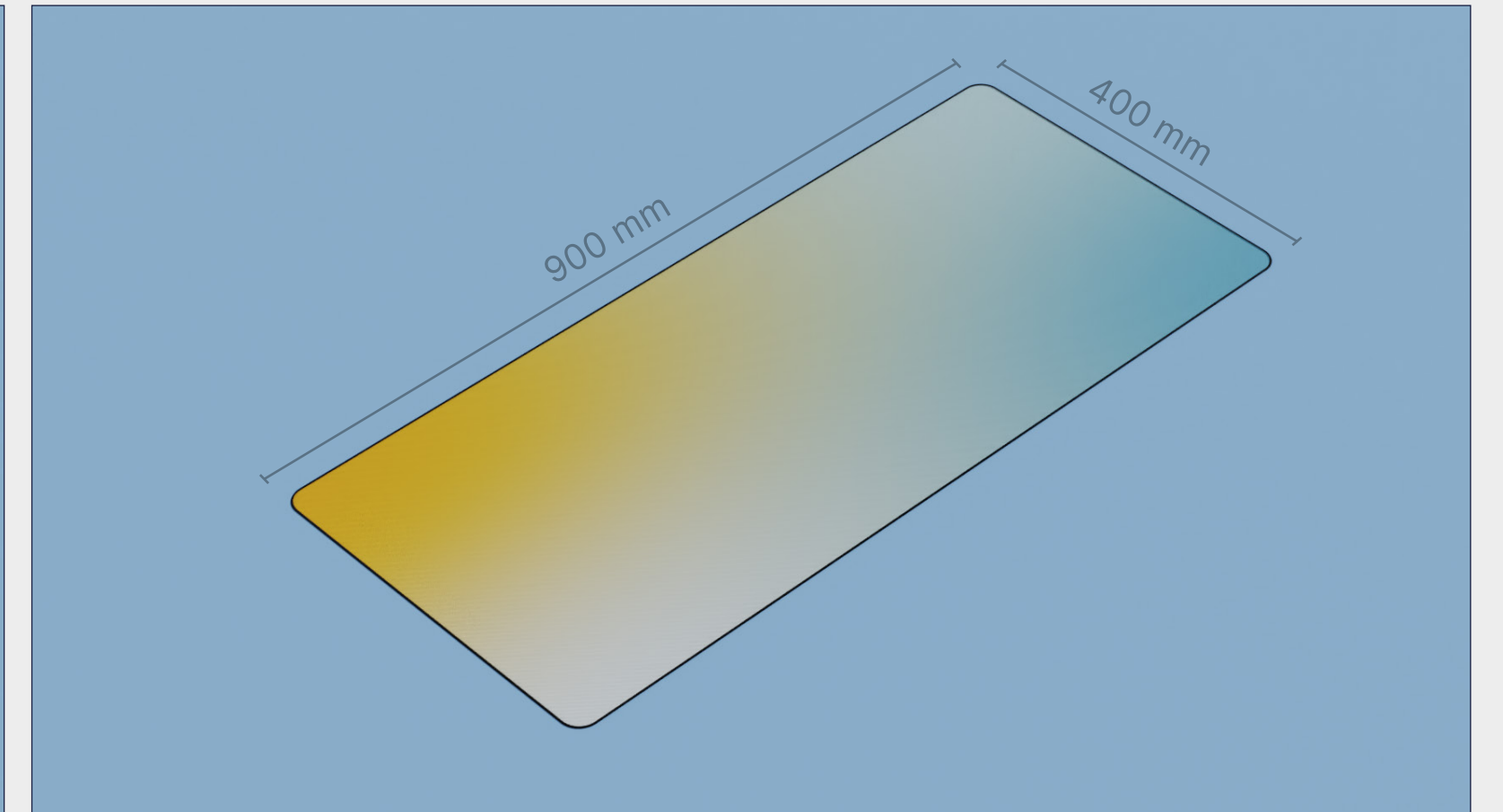
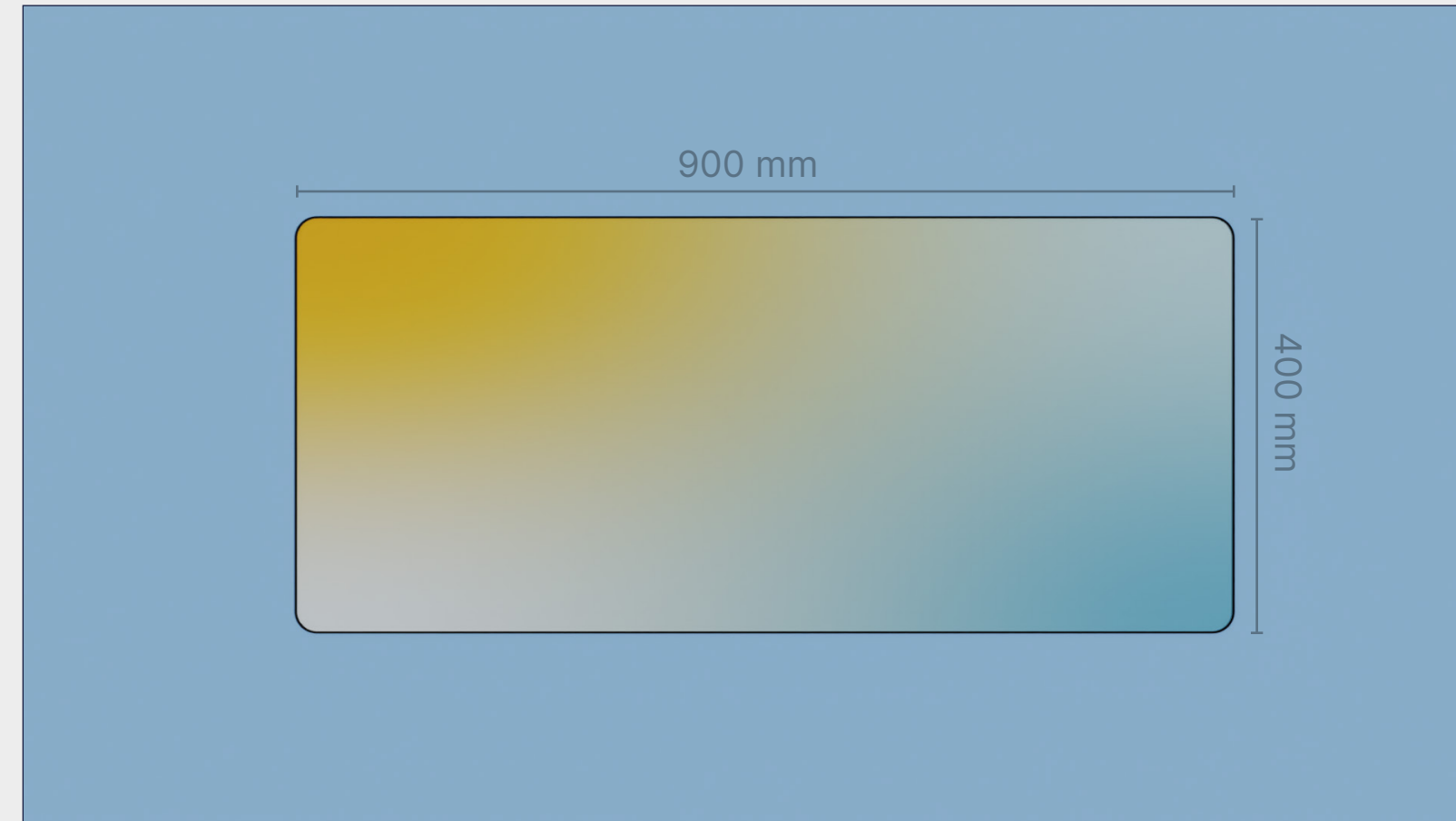
[Deskmat Template](#)

Pricing*

MOQ	UNIT PRICING (LDP)	PACKAGING OPTIONS
100	\$25.00 ea	White or Black Semi-Translucent Bag w/ Custom Sticker
300	\$22.00 ea	Custom Box or Tube
500	\$20.00 ea	Custom Box or Tube
750	\$18.50 ea	Custom Box or Tube
1000	\$17.50 ea	Custom Box or Tube

[Sticker Template](#)

[Box Template](#)



Bottom Image: SF Shock Desmat

* View Guides → Navigating Infinikey Products section for in-depth information

KEYCHAINS

Details

Cherry Profile

PBT Plastic

Dye-sublimation*

1 Keycap with keychain

[Keychain Template](#)

Pricing*

MOQ	UNIT PRICING (LDP)	PACKAGING OPTIONS
300	\$4.50 ea	Bulk Package or Standard Bag w/ Sticker
500	\$4.00 ea	Bulk Package or Standard Bag w/ Sticker
750	\$3.75 ea	Bulk Package or Standard Bag w/ Sticker
1000	\$3.10 ea	Bulk Package or Standard Bag w/ Sticker
1500	\$2.70 ea	Bulk Package or Standard Bag w/ Sticker
2000	\$2.30 ea	Bulk Package or Standard Bag w/ Sticker

(Includes All Colorway Variants)

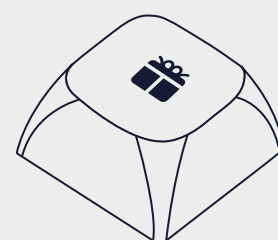
[Sticker Template](#)



Left Image: Keychain attachment is subject to change depending on product supply
 Right Image: P5R Keychain
 * View Guides → Navigating Infinikey Products section for in-depth information

Retail, SWAG, Gifts, and More

Marketing SWAG, team experiences, pop-up events, office supplies, and retail releases. We've done it all with our partners and our team is here to tailor the perfect keyboard product for your needs.



CLIENT PORTFOLIO

Gaming	The International	33
Esports	Team Liquid x Akatsuki	34
Event Series	PAX	35
Charity	Child's Play	36
Marketing SWAG	Intel x ESL	37
Company Design	Miro	38
Content Creator	Ironmouse and VShojo	39
Tabletop	Neon Dynasty	40
Tournament	EVO Moment 37	41

GAMING – THE INTERNATIONAL



ESPORTS – TEAM LIQUID X AKATSUKI



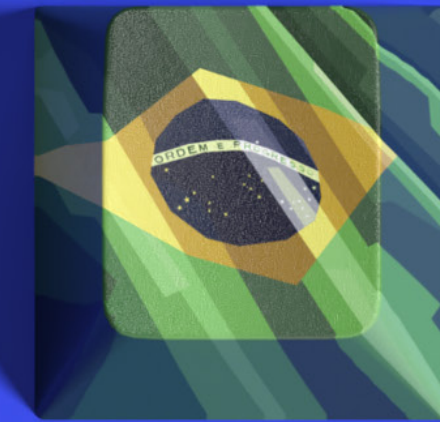
EVENT SERIES - PAX



CHARITY - CHILD'S PLAY



MARKETING SWAG - INTEL X ESL





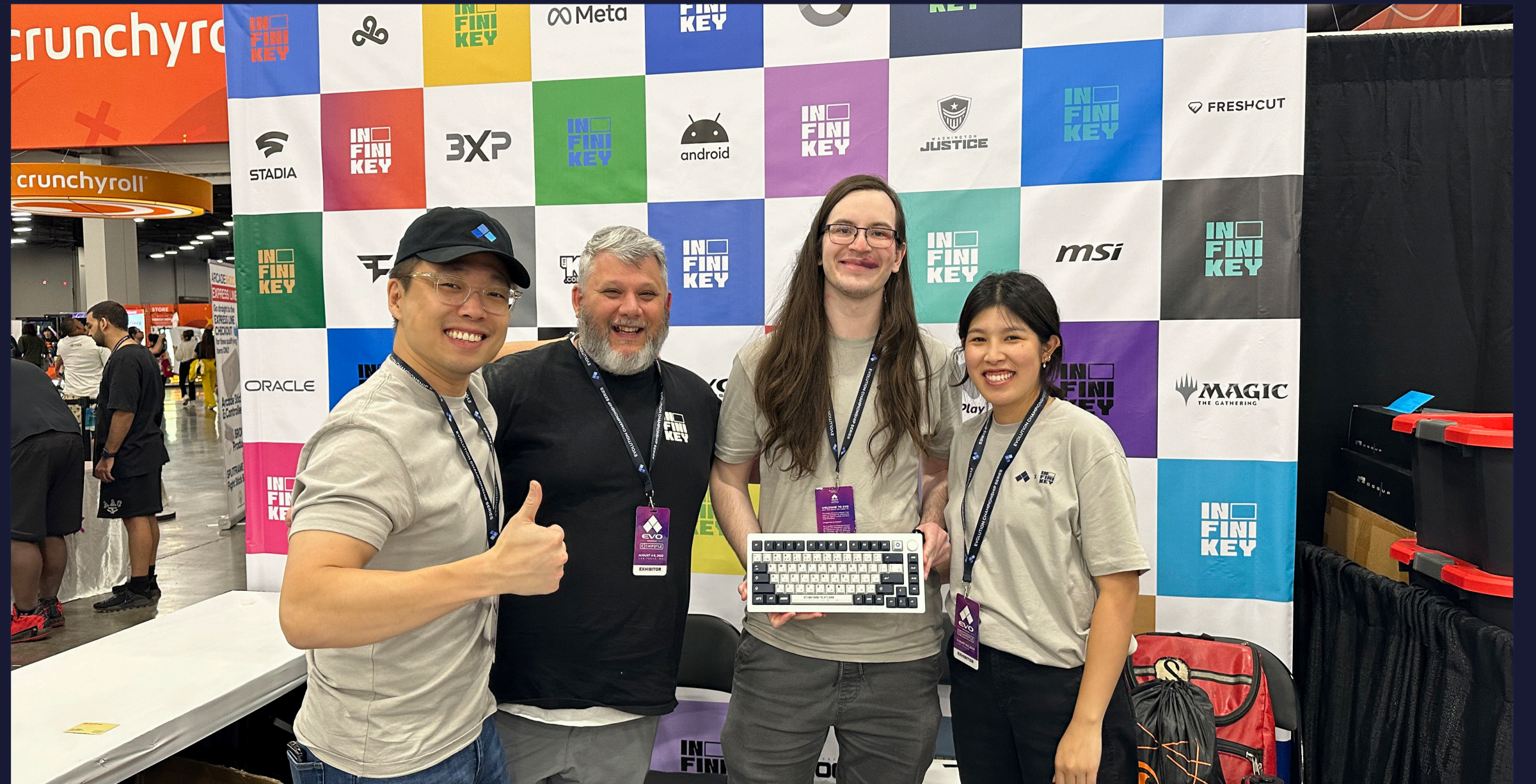
CONTENT CREATOR - IRONMOUSE AND VSHOJO



TABLETOP - NEON DYNASTY



TOURNAMENT - EVO MOMENT 37





Custom Keyboard
Products and Services
Winter/Spring 2024



www.infinikey.xyz
partner@infinikey.xyz

