

# OPEN ROLLER CABLE GUIDED SCREEN SYSTEM



MANUAL OR MOTORIZED SCREEN INSTALLATION INSTRUCTIONS



# TOOLS NEEDED AND PREPARATION

## TOOLS FOR ASSEMBLY

- Tape Measure
- Impact Driver
- Drill
- Bullet Level
- Impact Bits
- 4' Level
- Ferrule Crimper
- Plumb Line
- Cable Cutter
- 12mm Wrench or Socket

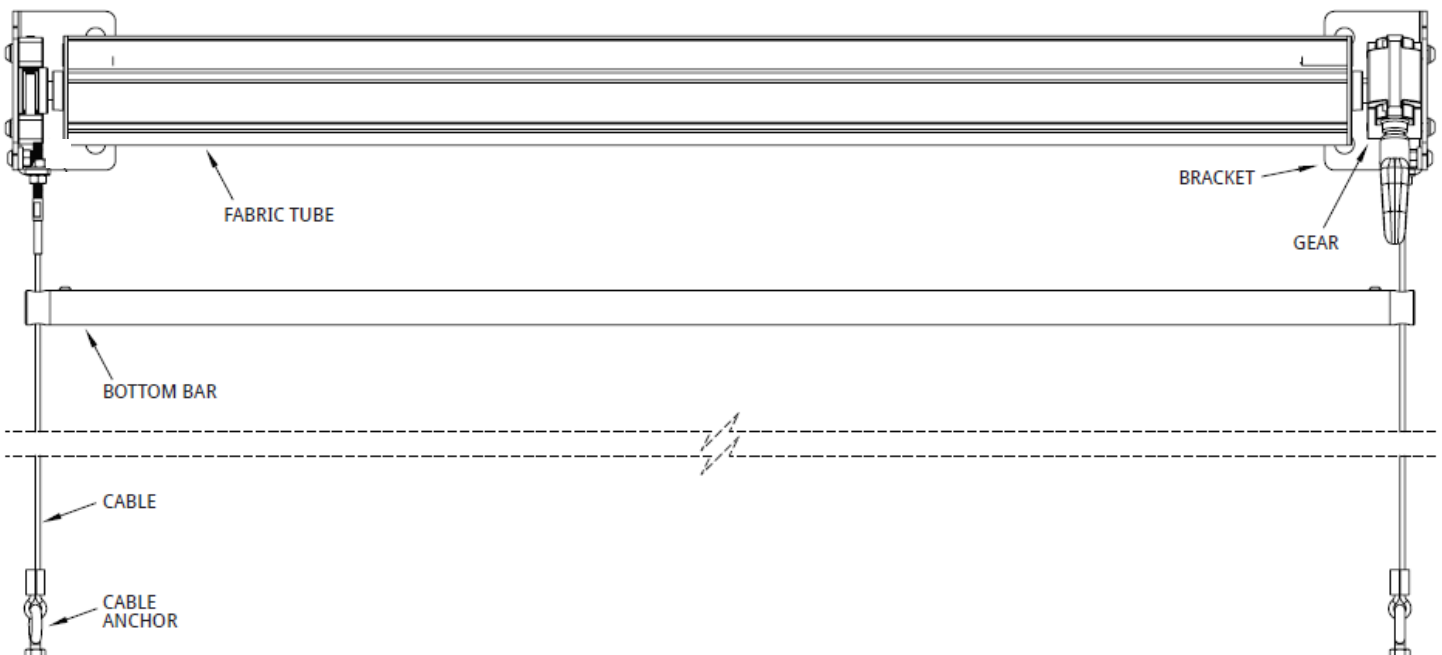
## HARDWARE PROVIDED

- Mounting Brackets (2)
- Gear (or Motor) Drive (1)
- Cable w/ Tension Bolt (2)
- Cable Thimble (2)
- Cable Ferrule (2)
- Cable Anchor (2)
- Roll Tube (1)
- Screen Material (1)

## NOT PROVIDED

- 5/16x4 1/2" Bracket Lag Screws (or appropriate) (4)
- #8 x 3" Stainless Wood Screw (or appropriate) (4)

## COMPONENTS



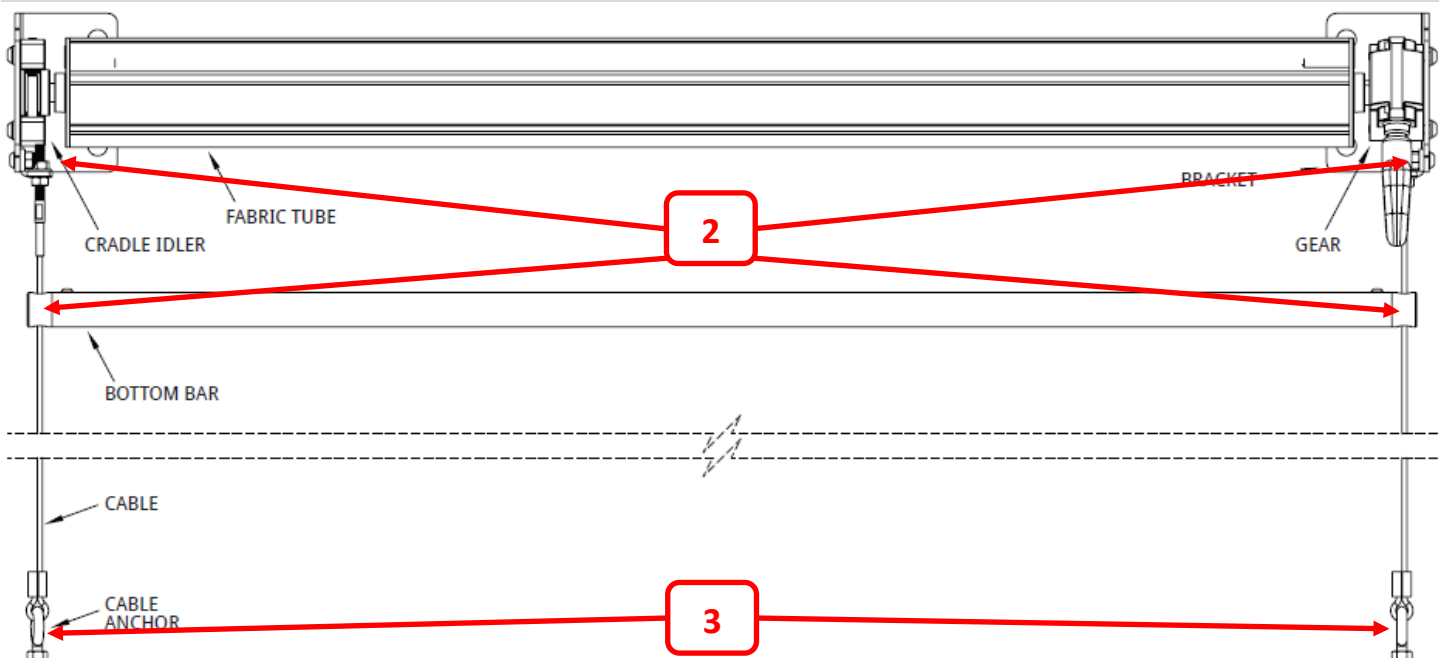
# STEP 1

## VERIFYING MEASUREMENTS

Screen measurements are as follows:

- 1) Mounting Width is measured from **outside** of bracket to **outside** of bracket
- 2) Verify upper cable mount width is the same as bottom bar cable holes
- 3) Lower cable mounts **MUST** be mounted plumb and equal distance as upper cable mount and bottom bar holes

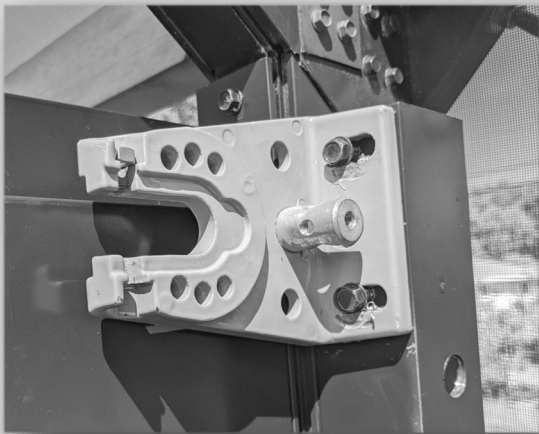
### 1) Measurement is outside of bracket to outside of bracket



# STEP 2

## UPPER BRACKETS (FACE MOUNT)

- a) Mark outer edge bracket location at ordered width
- b) Use appropriate hardware (not provided) to mount and level Upper Brackets



Wood Lag

| Self-Drilling Metal

| Concrete Tapping (Tapcon)

## STEP 2

### UPPER BRACKETS (CEILING MOUNT)

- a) Mark outer edge bracket location at ordered width
- b) Install Ceiling Mount Adapters with flange to the rear
- c) Use appropriate hardware (not provided) to mount and level Upper Brackets



Wood Lag



Self-Drilling Metal

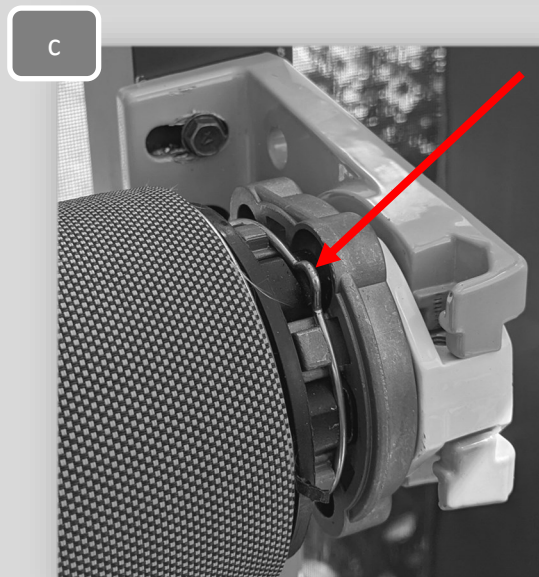
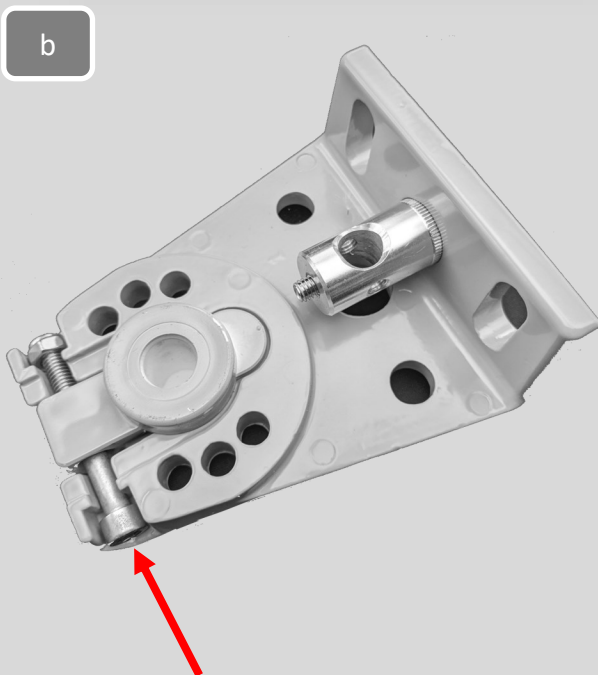
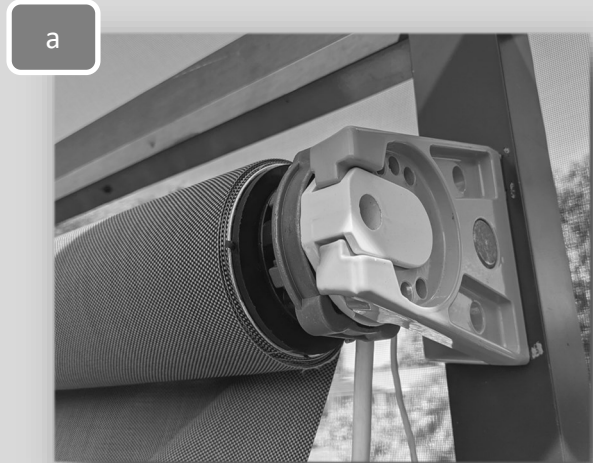


Concrete Tapping (Tapcon)

# STEP 3

## INSTALL ROLL TUBE

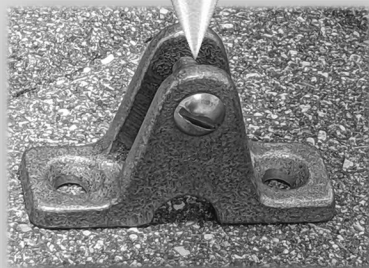
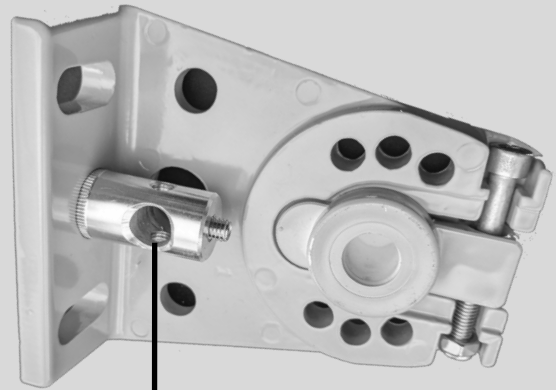
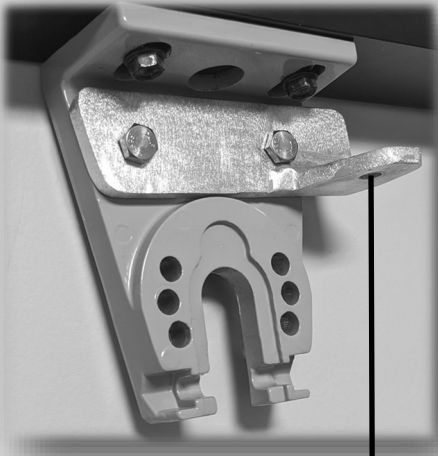
- a) Slide roll tube into brackets
- b) Insert and tighten roll tube retention bolts
- c) Ensure motor drive is clipped into place (Only motorized units)



# STEP 4

## LOWER CABLE BRACKETS

- a) Hang plumb line from top bracket to bottom bracket mounting surface
- b) Mark bracket location and mount with appropriate hardware
- c) Lower brackets can be either wall or floor mounted



# STEP 5

## CABLE ASSEMBLY

- a) Loosen adjustment nut and pass cable through stud in upper basket
- b) Route cable through thimble and ferrule with excess cable tail on back side of ferrule
- c) Crimp ferrule and trim off excess cable
- d) Install cable through mount

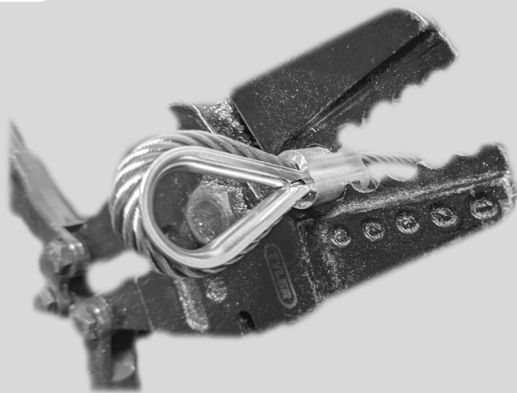
a



b



c



d





# STEP 6

## CABLE ADJUSTMENTS

a) Tighten the nut on the top of the cable to adjust the cable tension

\*\*\*Do NOT overtighten the cable tension\*\*\*



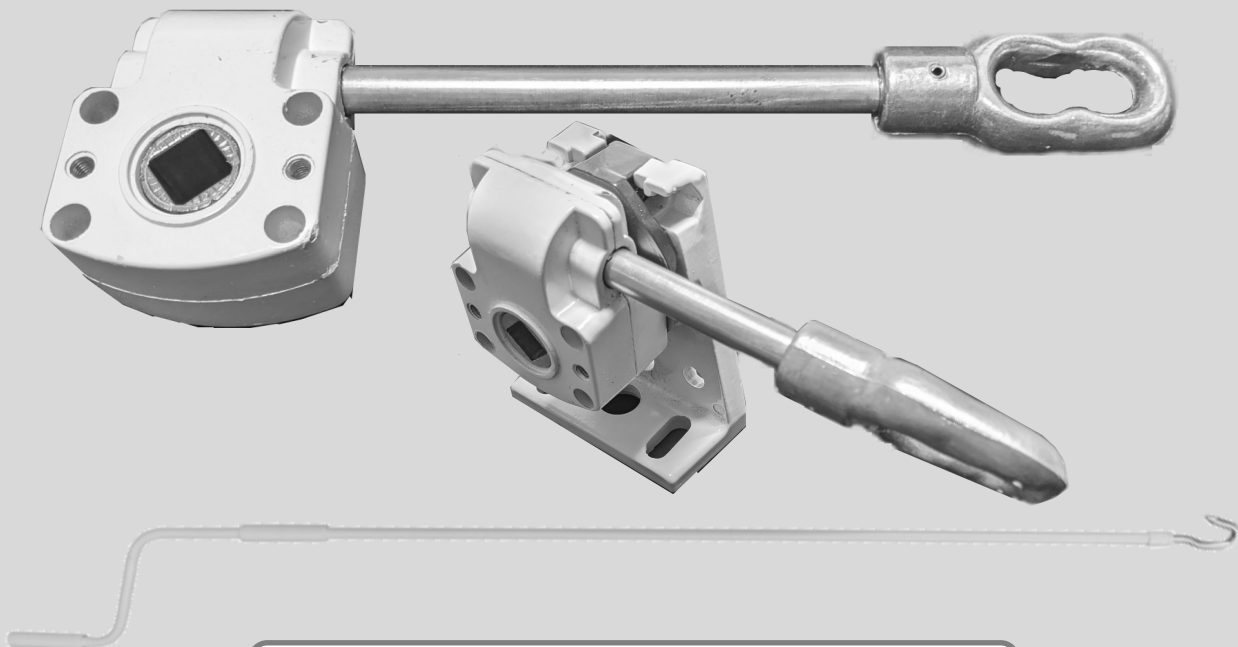
TEST FUNCTION

| YOUR INSTALL IS NOW COMPLETE

# APPENDIX A

## DRIVE OPTIONS

Manual Drive—Only available in WHITE



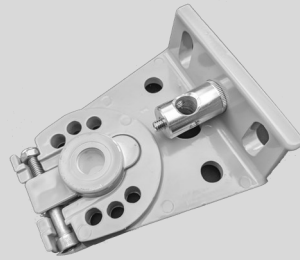
MOTOR DRIVE



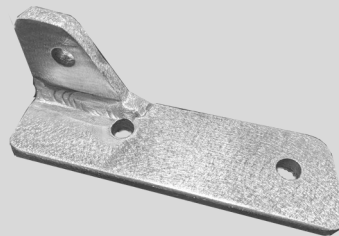
# APPENDIX B

## PARTS

Upper  
Mounting  
Bracket



Ceiling  
Mount  
Adapter



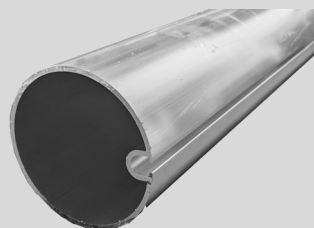
Motor  
Drive &  
Remote



Manual  
Gear Drive



Roll Tube



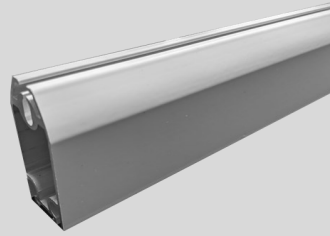
Roll Tube  
Idler



# APPENDIX B

## PARTS (CONT.)

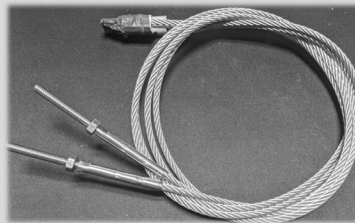
Bottom Bar



Bottom Bar  
Plug



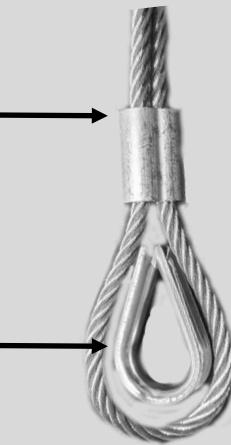
Guide  
Cable Asm



Cable  
Ferrule



Cable  
Thimble



Lower  
Cable  
Anchor

