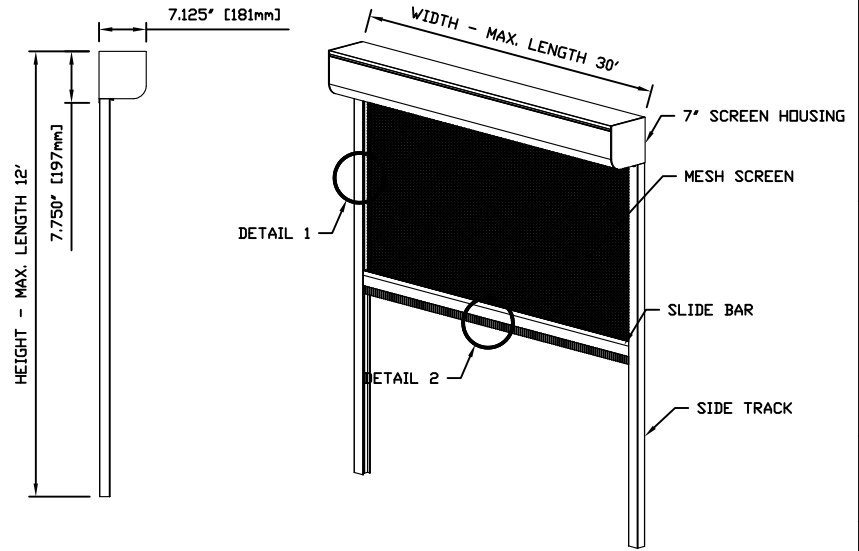
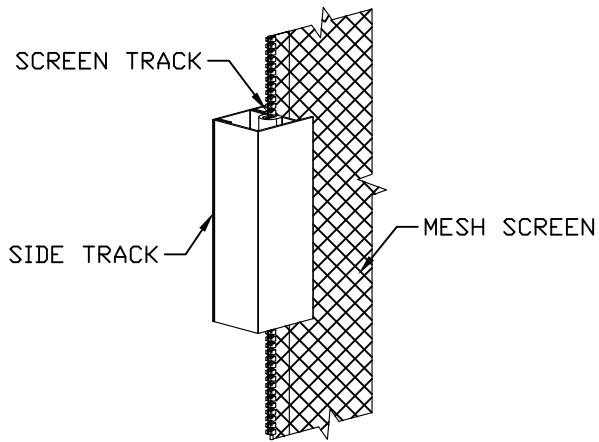


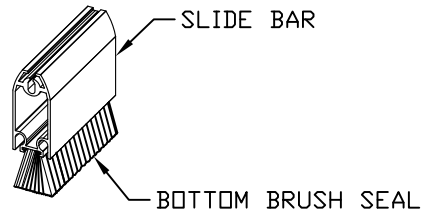
5 1/2" STANDARD SCREEN ASSEMBLY
SCALE: 3/8" = 1'-0"



7" ALTERNATIVE HOUSING SCREEN ASSEMBLY
SCALE: 3/8" = 1'-0"

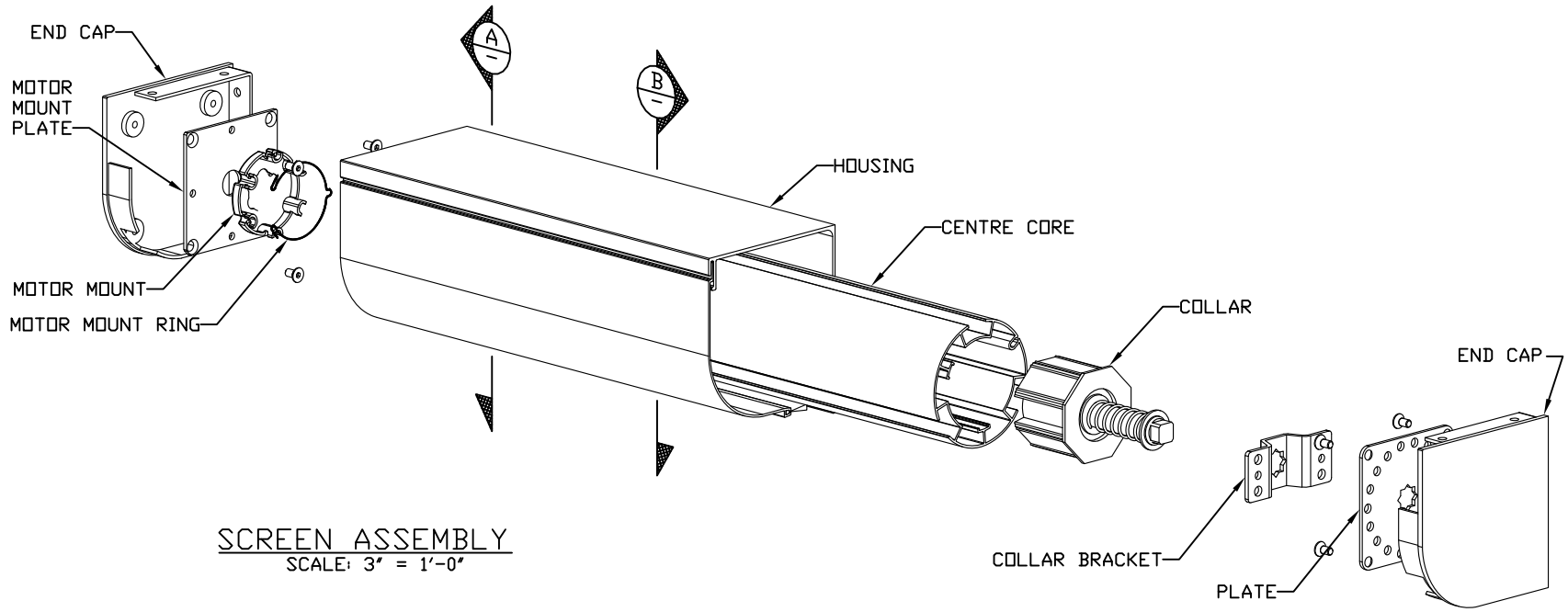


DETAIL 1
SCALE: 3" = 1'-0"

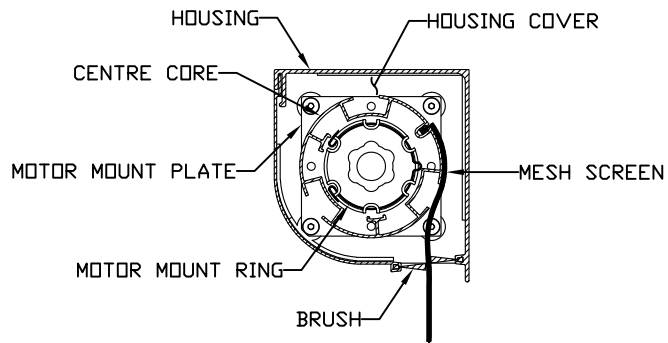


DETAIL 2
SCALE: 3" = 1'-0"

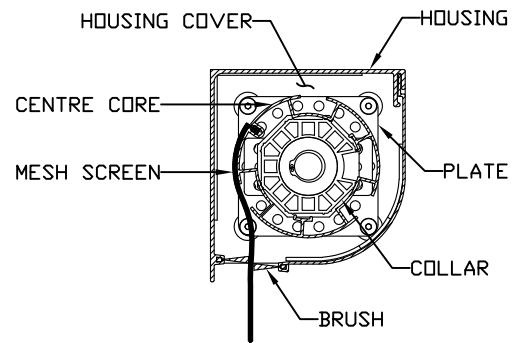
Rev.	Date	By	Revision



SCREEN ASSEMBLY
SCALE: 3" = 1'-0"



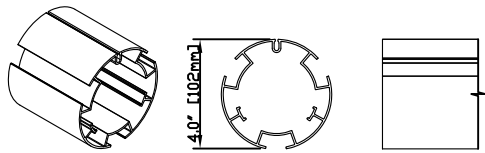
SECTION VIEW A
SCALE: 3" = 1'-0"



SECTION VIEW B
SCALE: 3" = 1'-0"

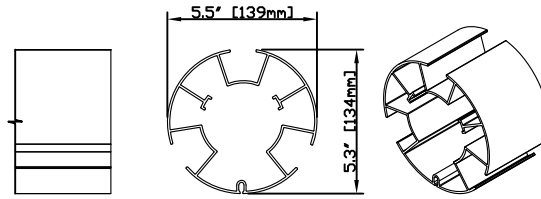
<p>A-02</p>		<p>DATE:</p>	
		<p>SCALE: N.T.S.</p>	<p>HEADER INSTALLATION</p>
<p>Rev.</p>	<p>By</p>	<p>Date</p>	<p>Drawn By:</p>
<p>Revision</p>	<p> </p>	<p> </p>	<p>© 2019 SUNPRO MOTORIZED AWNINGS & SCREENS</p>
<p> </p>	<p> </p>	<p> </p>	<p> </p>
<p> </p>	<p> </p>	<p> </p>	<p> </p>
<p> </p>	<p> </p>	<p> </p>	<p> </p>





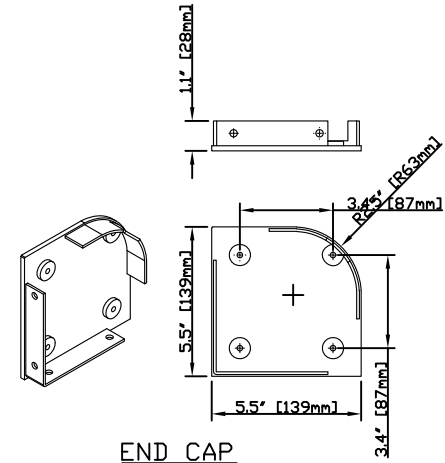
4" STANDARD CENTRE CORE

SCALE: 3" = 1'-0"
WEIGHT: 1.8 lb/ft



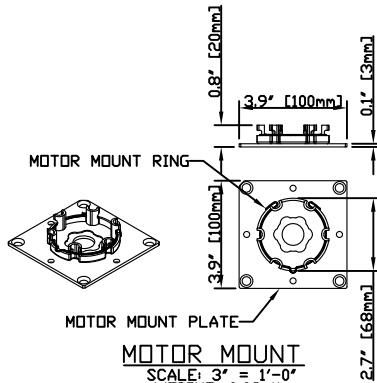
5 1/2" OPTIONAL CENTRE CORE

SCALE: 3" = 1'-0"
WEIGHT: 2.8 lb/ft



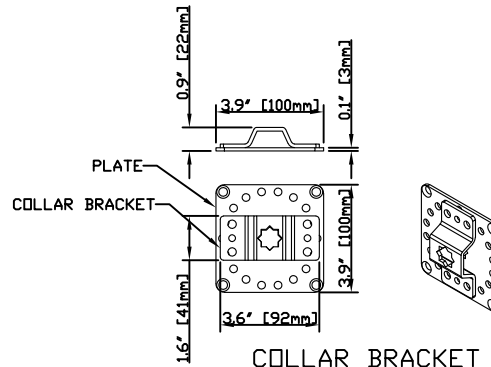
END CAP

SCALE: 3" = 1'-0"
WEIGHT: 0.75 lb



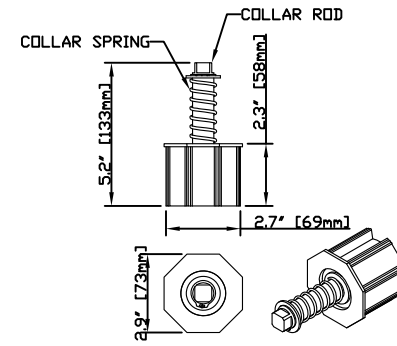
MOTOR MOUNT

SCALE: 3" = 1'-0"
WEIGHT: 0.63 lb



COLLAR BRACKET

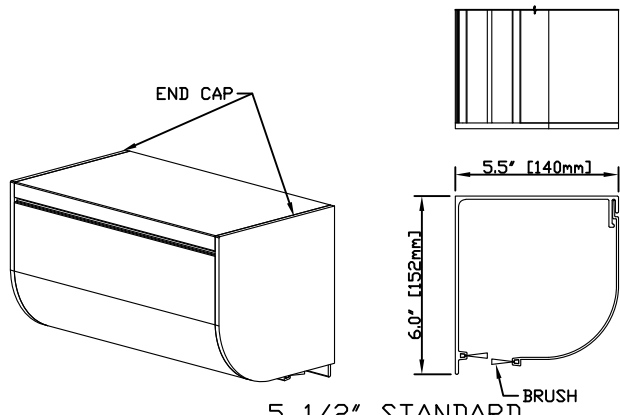
SCALE: 3" = 1'-0"
WEIGHT: 0.75 lb



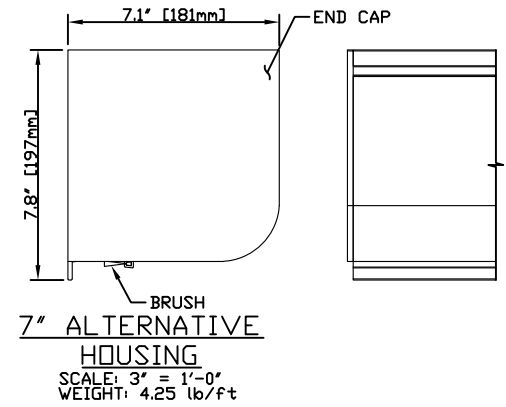
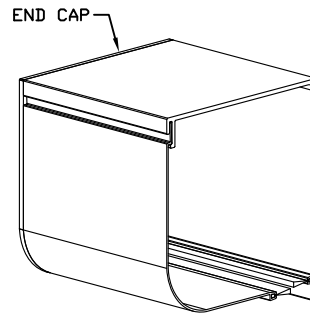
COLLAR

SCALE: 3" = 1'-0"
WEIGHT: 1.25 lb

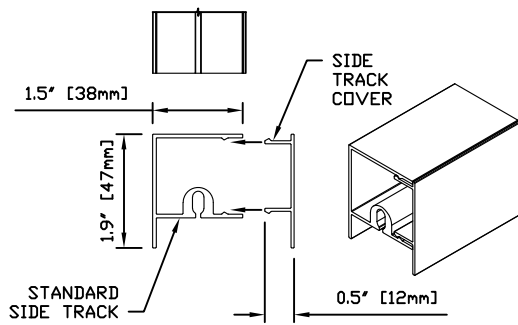
Rev.	Revision			DATE:	SCALE: N.T.S.	DRAWN BY:	A-03
							HEADER INSTALLATION
							© 2019 SUNPRO MOTORIZED AWNINGS & SCREENS



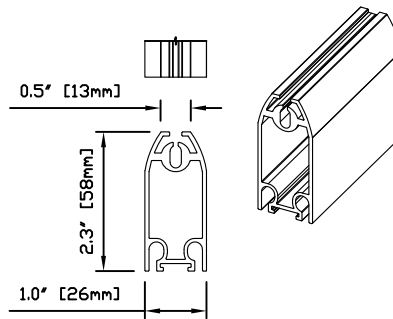
5 1/2" STANDARD HOUSING
 SCALE: 3" = 1'-0"
 WEIGHT: 2 lb/ft



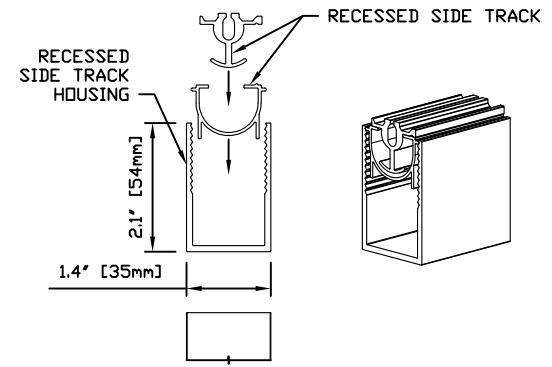
7" ALTERNATIVE HOUSING
 SCALE: 3" = 1'-0"
 WEIGHT: 4.25 lb/ft




SIDE TRACK
 SCALE: 6" = 1'-0"
 WEIGHT: 0.32 lb/ft



SLIDE BAR
 SCALE: 6" = 1'-0"
 WEIGHT: 0.75 lb/ft



RECESSED TRACK
 SCALE: 6" = 1'-0"
 WEIGHT: 0.71 lb/ft

		Rev.	Revision	By	Date	Drawn By:	Scale: N.T.S.	Date:	HEADER INSTALLATION	A-04