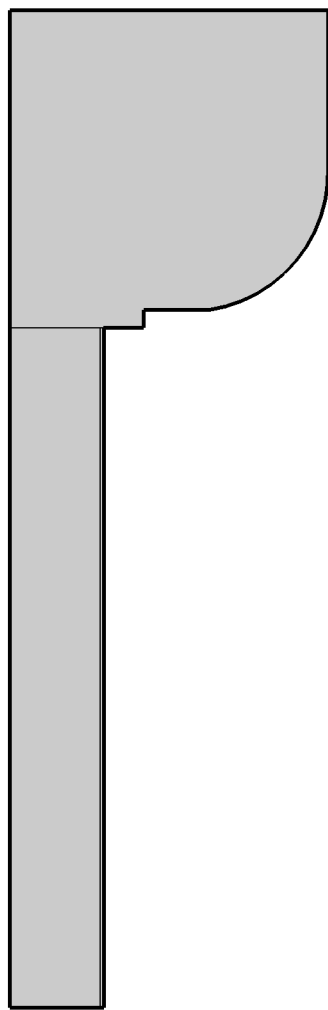
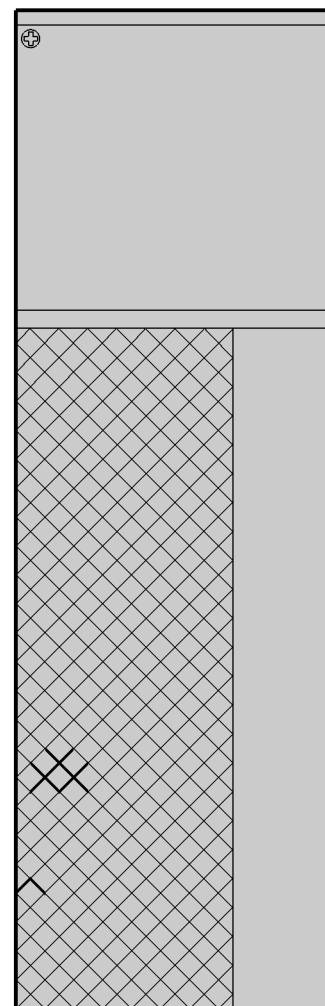




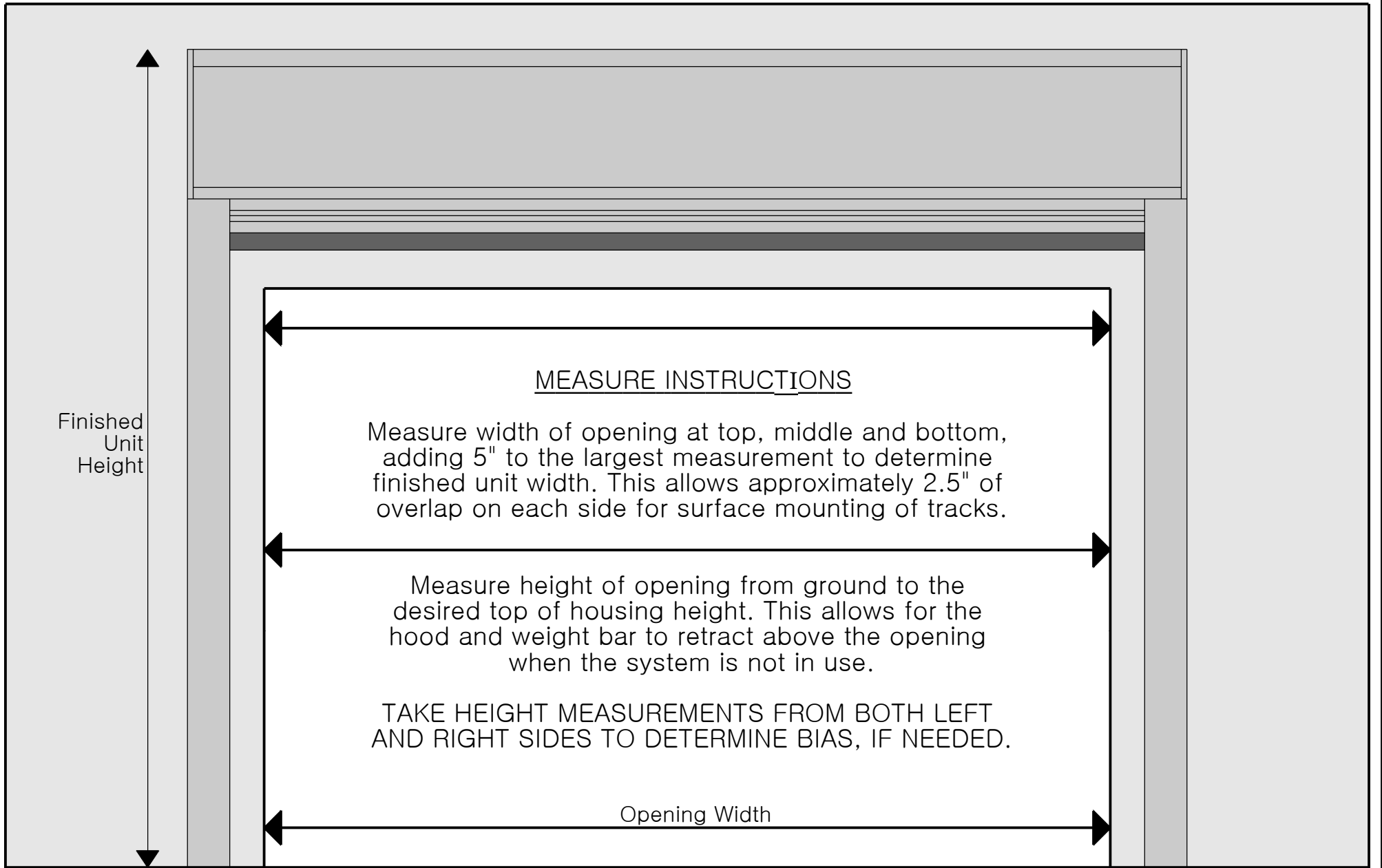
Motorized Roll Screen Products, 5-1/2" and 7" Housings
Up to 30' in Width



Side/Profile View



Front View

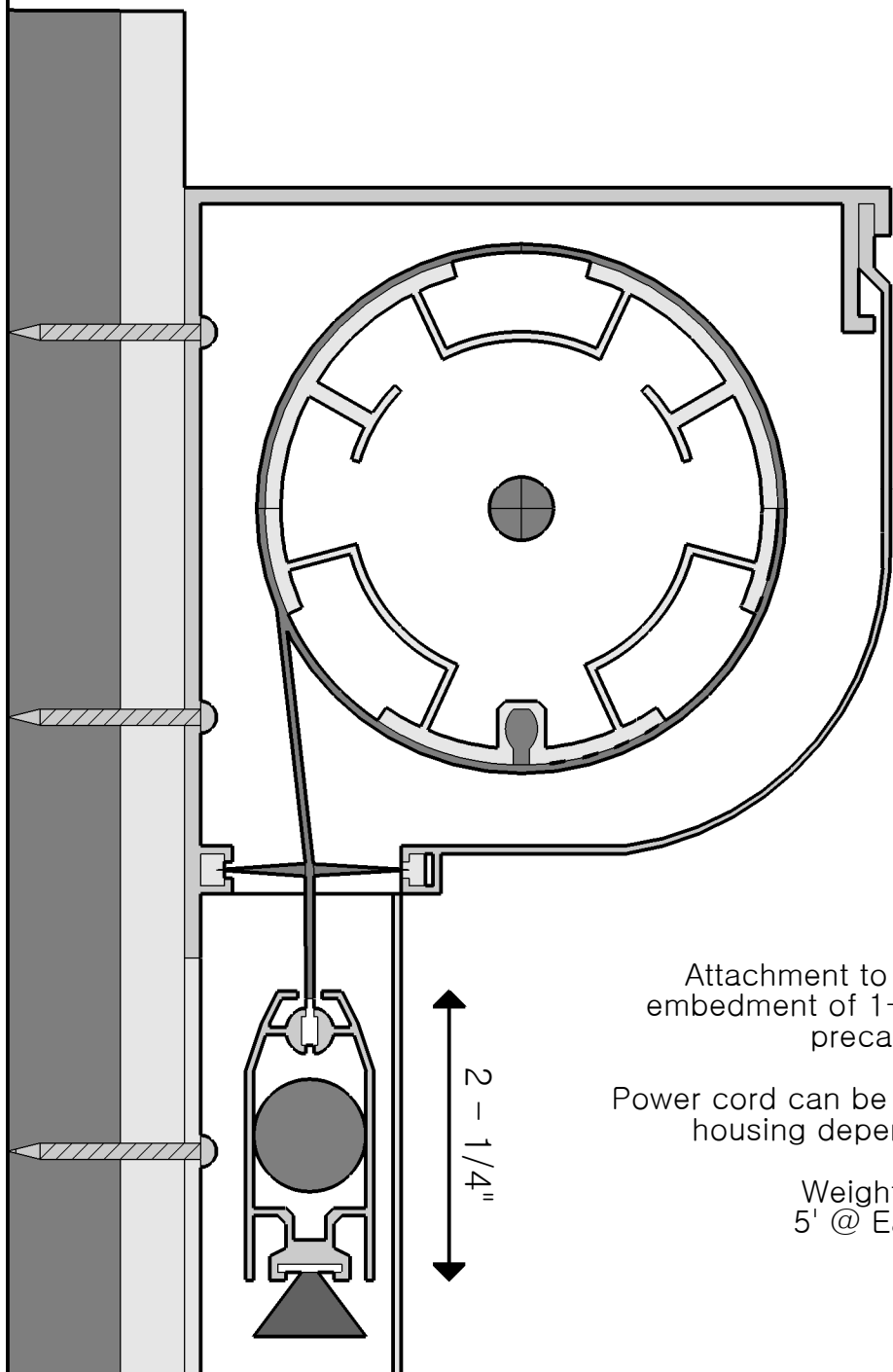


MEASURE INSTRUCTIONS

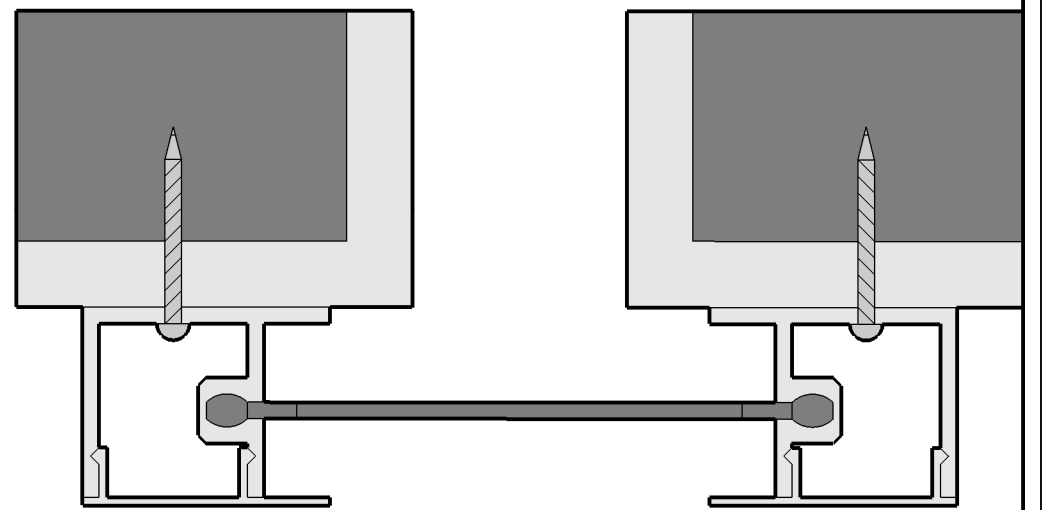
Measure width of opening at top, middle and bottom, adding 5" to the largest measurement to determine finished unit width. This allows approximately 2.5" of overlap on each side for surface mounting of tracks.

Measure height of opening from ground to the desired top of housing height. This allows for the hood and weight bar to retract above the opening when the system is not in use.

TAKE HEIGHT MEASUREMENTS FROM BOTH LEFT AND RIGHT SIDES TO DETERMINE BIAS, IF NEEDED.



Surface Track
 Hollow w/snap cover
 Fasteners 24" OC, w/Min. Embedment 1-1/2"
 Wood 1/4" SDS or CMU 1/4" Masonry Screws

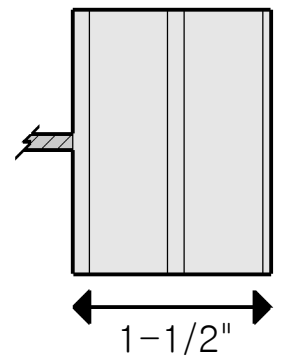


Installation Notes

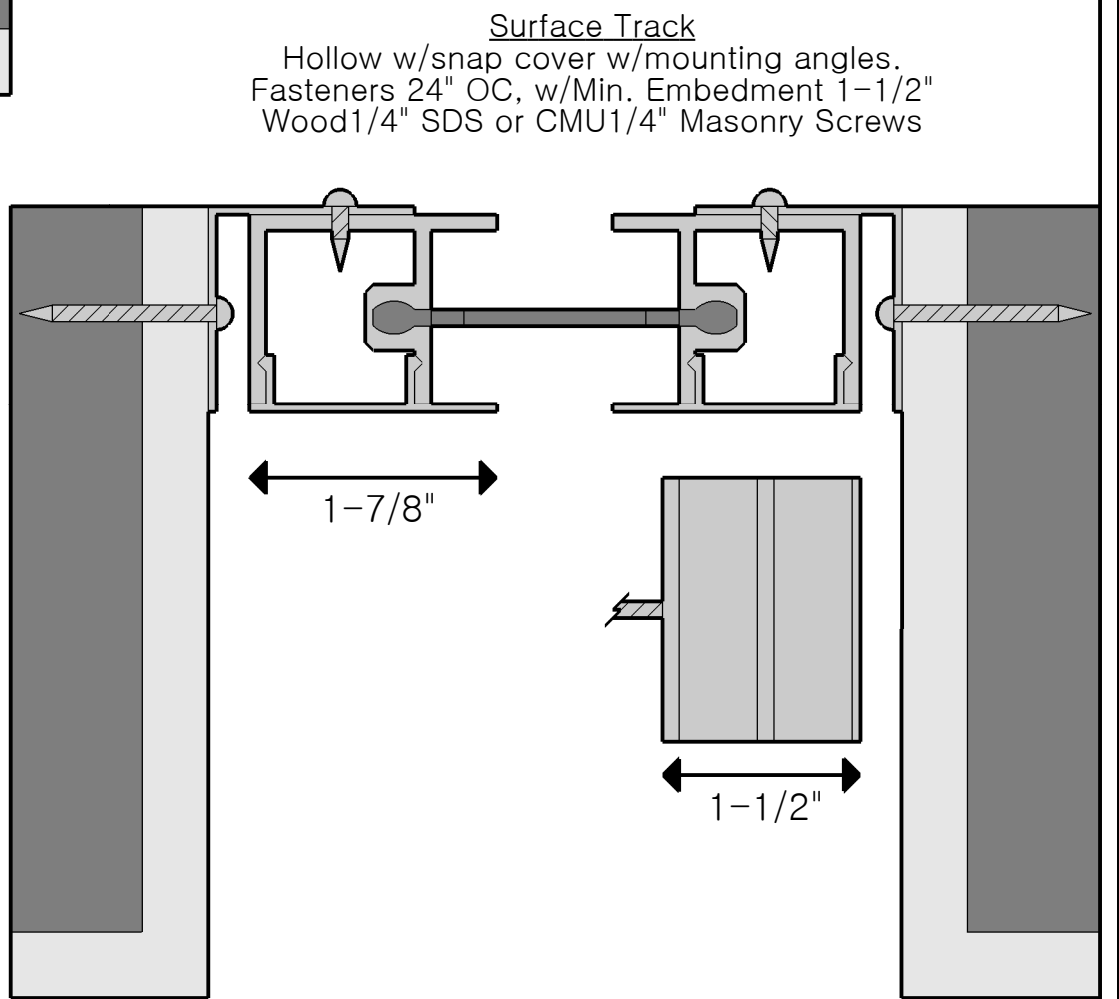
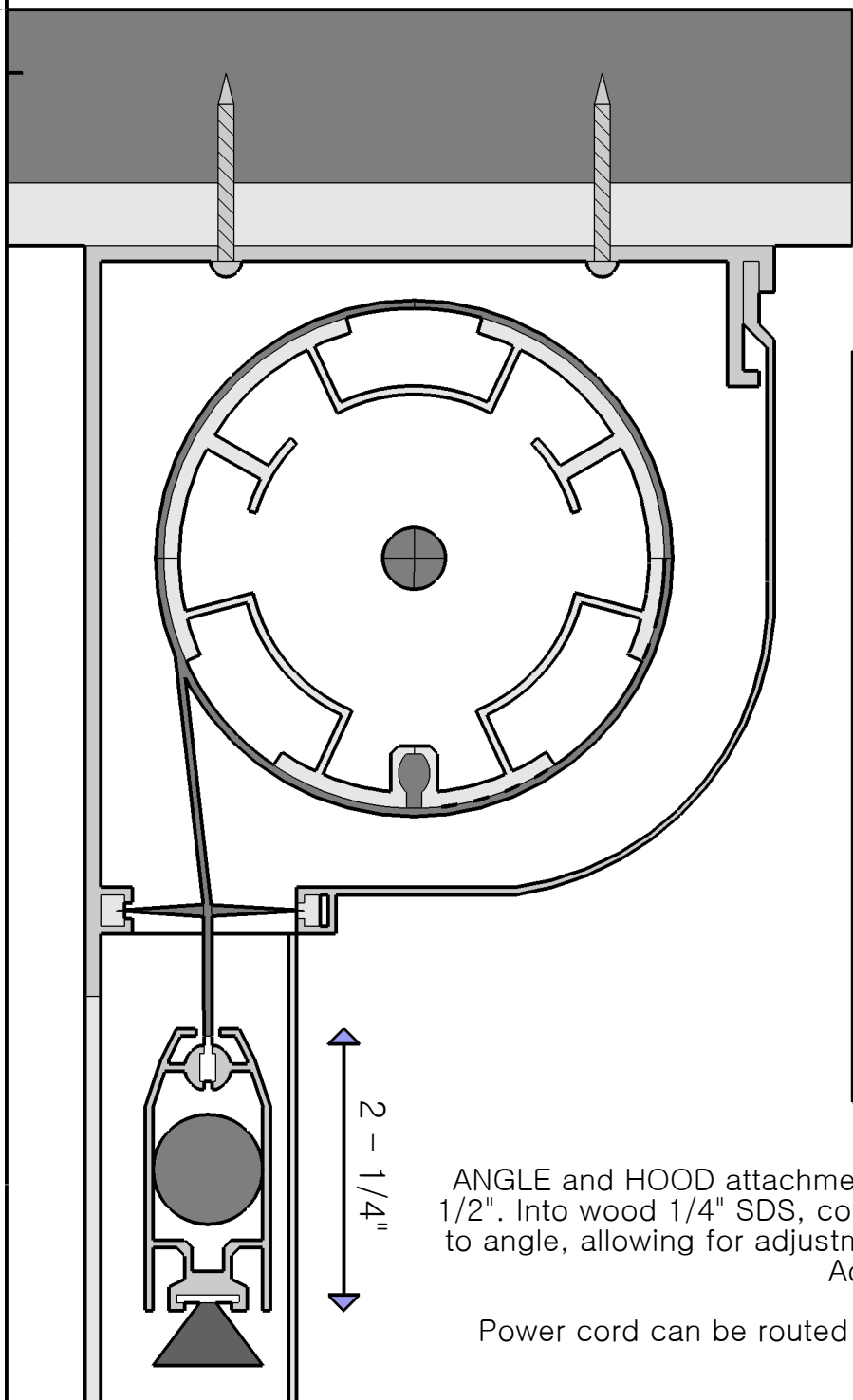
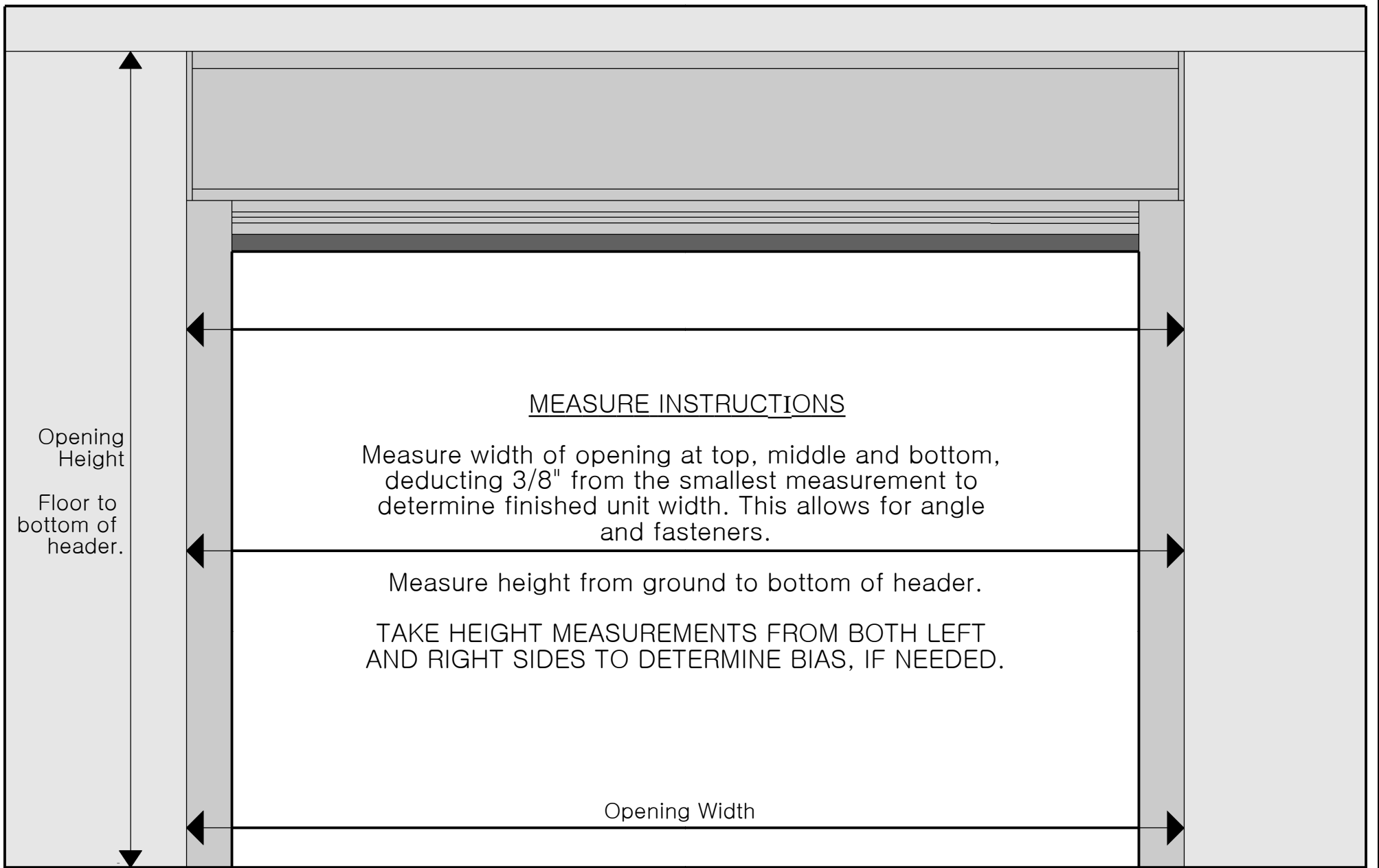
Attachment to vertical surface, recommended min. embedment of 1-1/2". Into wood 1/4" SDS, concrete or precast use 1/4" masonry screws.

Power cord can be routed through track or out of top/rear of housing depending on location of electrical outlet.

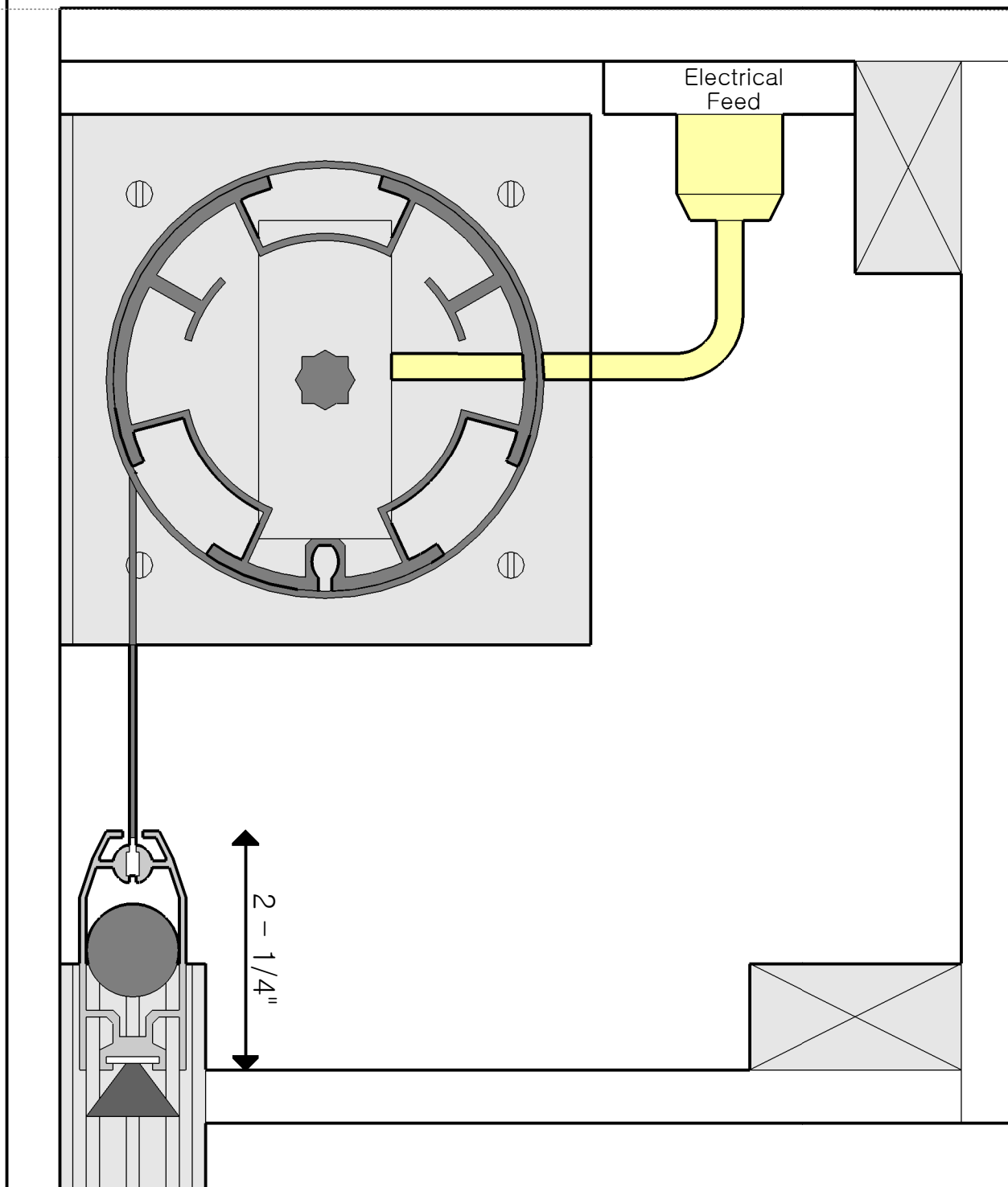
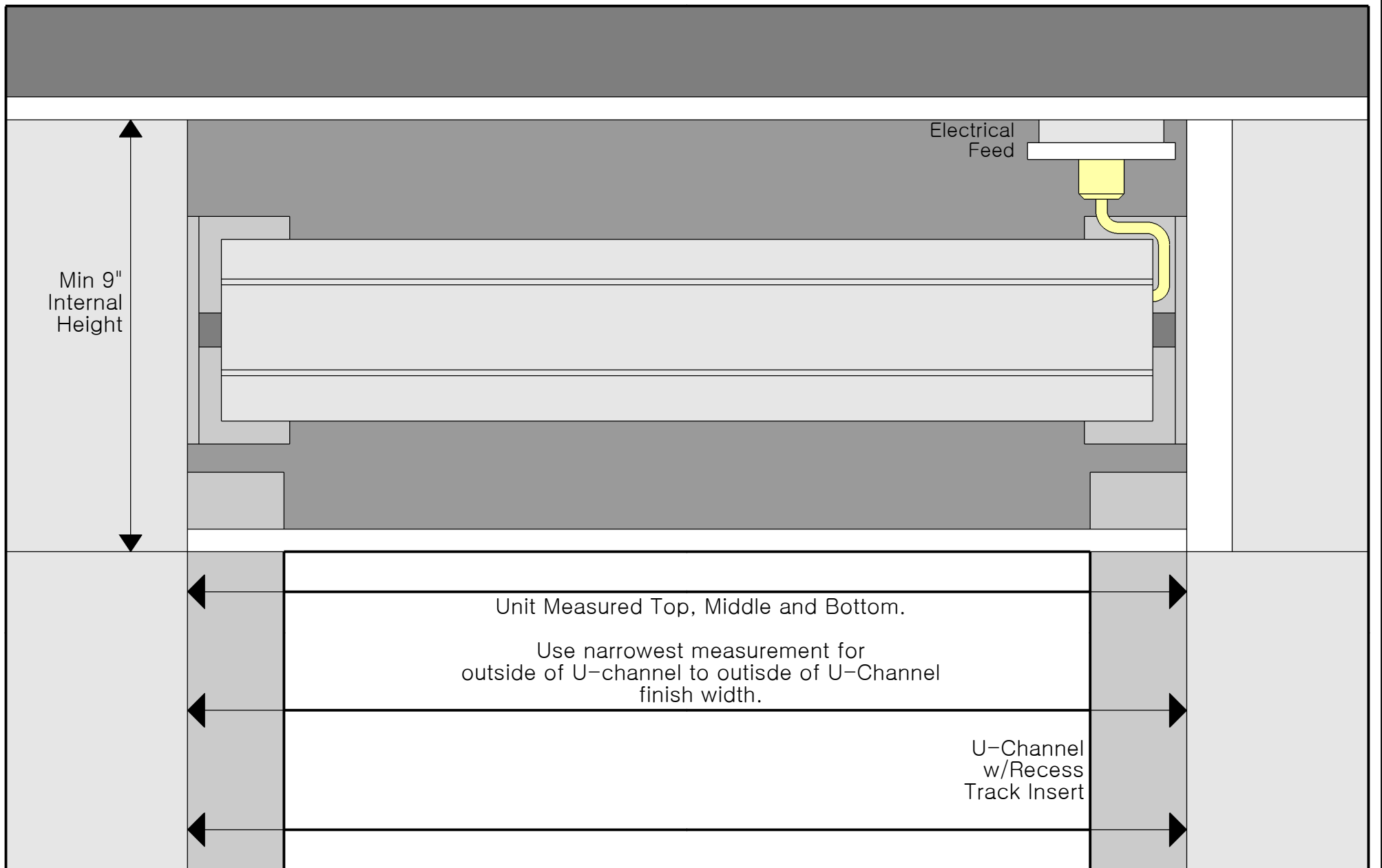
Weighted Bottom Bar w/#6 Re-Bar 5' @ Each End for Additional Weight (1.5/lbs per foot)



REVISIONS		
MM/DD/YY	REMARKS	
1 12/29/2014	Original Date of Drawing	
2 ---/---/---	...	
3 ---/---/---	...	
4 ---/---/---	...	
5 ---/---/---	...	



	MM/DD/YY	REMARKS
1	12/29/2014	Original Date of Drawing
2	--/--/--	...
3	--/--/--	...
4	--/--/--	...
5	--/--/--	...



Installation Notes
5"x5" Recess Brackets to receive roll-tube.

NOTE: 7"x7" Brackets typically if width of tube is greater than 20'.

Min. Vertical Clearance of 9" to conceal unit & weight bar and sweep.

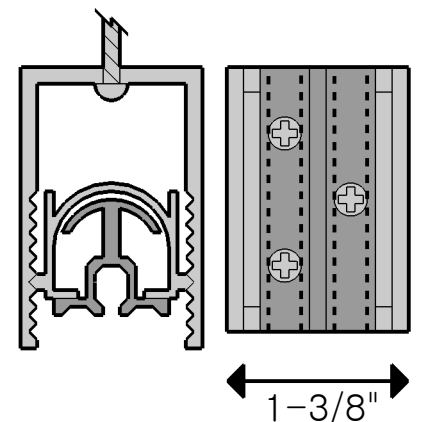
Removeable access panels located at front or bottom of recess cavity.

Power feed required at one of of recess cavity, ensuring that receptical/box is forward inside of cavity. Make sure receptacle box allows for screen operation and for removal and installation of roll tube.

Weighted Bottom Bar w/#6 Re-Bar 5' @ Each End for Additional Weight (1.5/lbs per foot)

Recess Track

U-Channel w/track insert and adj. clips. Fasteners 24" OC, Min. Embedment 1-1/2" Wood 1/4" SDS or CMU 1/4" Masonry Screws



Recessed Roll Screen Installation (IAHR)



SunPro Motorized Awnings & Screens

REVISIONS		
	MM/DD/YY	REMARKS
1	12/29/2014	Original Date of Drawing
2	--/--/--	...
3	--/--/--	...
4	--/--/--	...
5	--/--/--	...

A 03

A