



# Retractable Awning Installation Manual



**Installation Support:**

(941) 374-3222

[https://sunproproducts.com/tec  
hnical-resources/](https://sunproproducts.com/technical-resources/)

We thank you for your purchase of your SunPro retractable awning. SunPro awnings will give your family the shade and protection you need on your deck or patio. You can now look forward to months of enjoyment and memories.

Before you begin installation, take a moment to familiarize yourself with the awning and this Owner's Manual. Please check to insure all of the parts listed on page **5** have been included with your awning and that you have the correct size, frame and fabric. If you ordered an optional mounting type make sure you have those parts. They are listed on page **5**.

## Installation of your Awning

---

When unpacking your awning, take care to protect the awning from accidental damage or soiling. Do not drop or drag the awning on the ground.



**Note:** When removing the clear protective wrap from the awning, do not use a knife or box cutter to cut plastic wrap as you could accidentally slice into your awning fabric.

**Note:** Your awning has been shipped to you fully assembled but it is important to follow this instruction manual to securely fasten the mounting brackets to your home and install the awning. Please read these instructions completely before installing your awning. Please note, you will need a helper for installation. Left and Right references are as you are facing the house. You have been provided with the proper fasteners for mounting to your wall surface.

For the greatest enjoyment of your lateral arm awning, please mount as high on your wall as possible, with a recommended mounting height of 9'. Your awning is a motorized model and your electrical cord will allow you 16' to reach your GFI outlet. You will find your remote included in your box.

## Operating your Awning

---

Note: If you purchased a 20' awning, please review the CAUTION on page 18, under "Test for Proper Operation" before using your awning. Your awning, once installed, has the ability to be opened partially or to its full projection to suit your deck or patio design. The pitch of your awning may be easily adjusted, up or down, from the factory setting based upon your actual mounting height. Please see page **20**, if you would like to make this adjustment.

**Note:** Please follow the Care and Maintenance Guidelines on pages 21 to 24 for proper use and inclement weather precautions.



Please retain your Owner's Manual and Installation Instructions for future reference regarding operation, care and maintenance, troubleshooting, customer service and warranty information.

We know that you will enjoy your SunPro retractable awning by spending more time outside on your deck or patio.

## Recommended Tool List

½" & 3/8" drill bits  
13", 14", 17" & 19" wrenches  
3/8" impact driver with 17 mm impact socket  
4 FT level  
Caulk gun  
Chalk line  
Crowbar, wonder bar, or Pry bar  
Hack Saw Blade  
Hammer  
Masonry hammer drill SDS (Hilti)  
Philips head screwdriver & regular screwdriver  
Power Drill  
Rare earth magnet  
Two ladders (Recommended 4 ft. & 6 ft. or a little giant)  
Vinyl Siding Tool  
Wire Cutters  
Wire Strippers

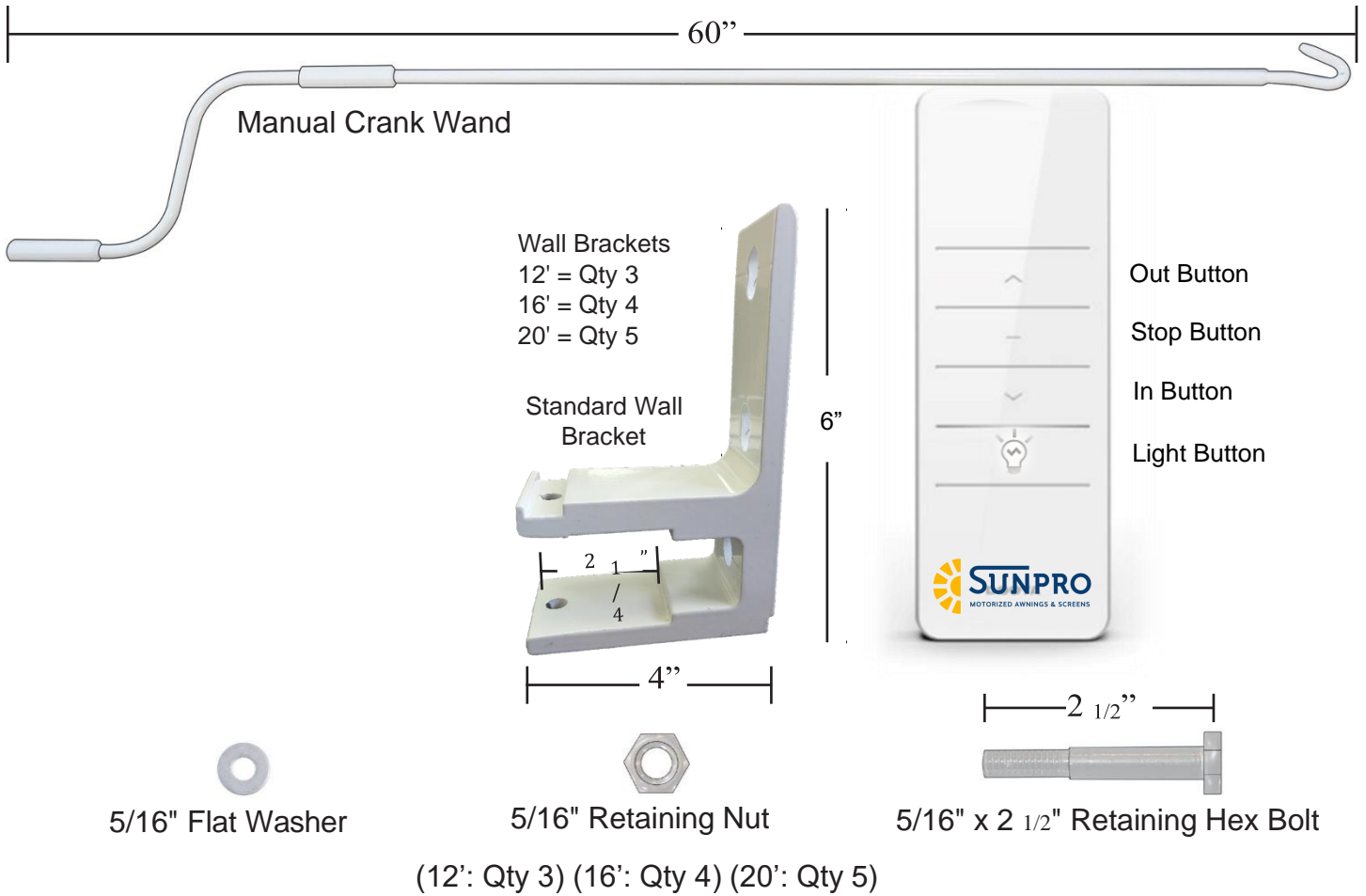
## Supplies

Caulk  
Goffo  
WD-40  
Mounting Hardware

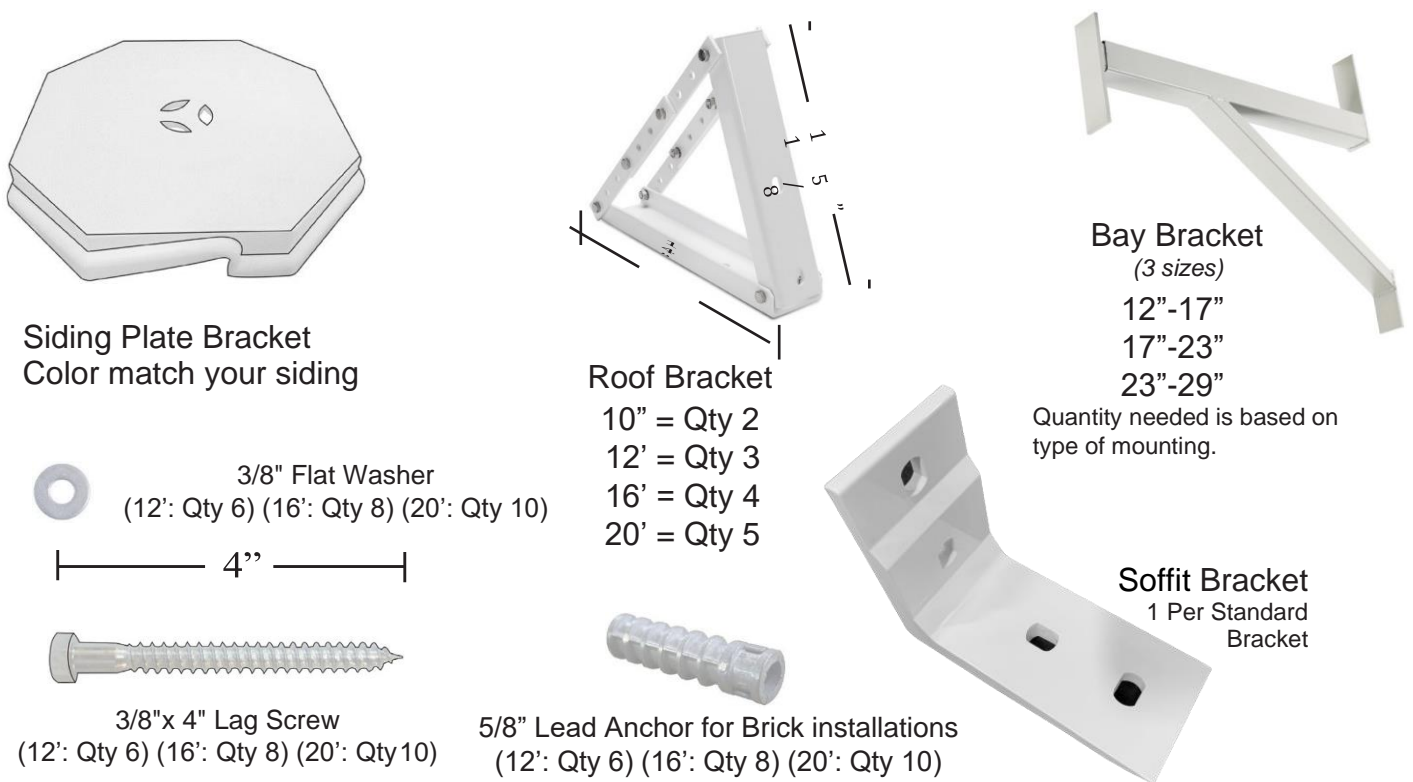
# **TABLE OF CONTENTS**

<b>Welcome</b>	<b>Page 2</b>
<b>Recommended Tool List</b>	<b>Page 3</b>
<b>Standard Installation Parts Included / Optional</b>	<b>Page 5</b>
<b>Get to Know Your Awning Size</b>	<b>Page 6-10</b>
<b>Installation for Roof Mount</b>	<b>Page 11</b>
<b>Bay Bracket Installation</b>	<b>Page 12</b>
<b>Installation on Facia Board Covered w/aluminum Over Brick</b>	<b>Page 13</b>
<b>Installation for Soffit Mount</b>	<b>Page 14-15</b>
<b>Installation for Brick Mount</b>	<b>Page 16</b>
<b>Installation for Siding Mount</b>	<b>Page 17</b>
<b>Checking Your Awning for Proper Operation</b>	<b>Page 18</b>
<b>EZ-Adjustable Pitch</b>	<b>Page 19</b>
<b>Adjusting In and Out Limits of the Awning</b>	<b>Page 20</b>
<b>General Care and Maintenance of Your Awning</b>	<b>Page 21-23</b>
<b>Troubleshooting</b>	<b>Page 24-25</b>
<b>Accessories</b>	<b>Page 26</b>
<b>Front Screen Installation</b>	<b>Page 27</b>
<b>Testing the Remote</b>	<b>Page 28</b>
<b>Wind Sensor Installation</b>	<b>Page 29-30</b>
<b>Limit Adjustment from Fabric Stretching</b>	<b>Page 31</b>
<b>Valance Bar Pin</b>	<b>Page 32</b>

# STANDARD INSTALLATION PARTS INCLUDED



# OPTIONAL INSTALLATION PARTS



**Note: Roof mount awnings will have twice the number of 3/8" flat washers and the same number of 2 inch through bolts with matching nuts as lag screws supplied**

# Awning Installation Instructions



**WARNING: FAILURE TO FOLLOW THESE INSTRUCTIONS COULD RESULT IN PERSONAL INJURY!**

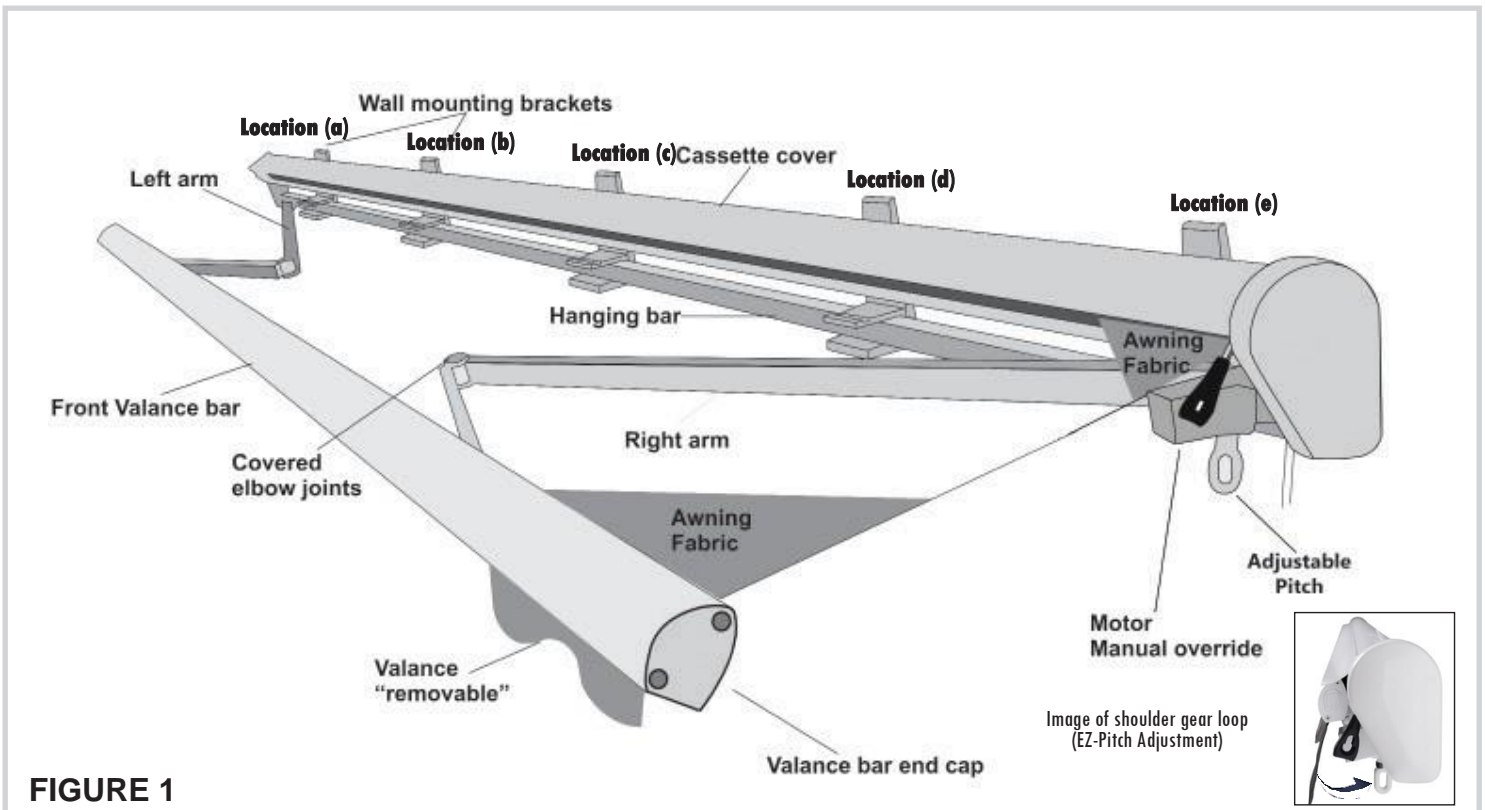


**WARNING:** Never attempt to repair or disassemble any part of the awning without following replacement part procedures supplied by the manufacturer. Trying to do so without proper instructions could result in personal injury!

## Before Starting

Before beginning, please familiarize yourself with the components of the awning as shown in Figure 1, and the supplied fasteners/parts shown on pages **5**. Find the mounting brackets in the package (they are separated from the awning itself). Certain brackets could have been shipped separately.

Note: This figure shows awning with motor installed on the right side as you face the house.  
Note: Number of brackets supplied with the awning will vary depending on awning size, see page **5**.



## Tools Needed:

For any type of wall installation, you will need an assistant(s), measuring tape, two ladders, 9/16" and 17mm socket, chalk line (or string), Stud finder, Phillips screw-driver, pencil, level, electric drill and a 1/2" or 13mm wrench. If you have a wood frame construction with wood, vinyl or aluminum siding, you will need in addition to the above: 1/8" and 1/4" drill bits and a Vinyl Siding tool. If you have masonry construction or brick walls, you will need a 5/8" masonry drill bit and SDS hammer drill.

## Installation

Inspect the wall you plan to mount your awning on, and be sure you have a clear area with no light fixtures, doors, windows or downspouts to obstruct your installation. Check the wall surface for bows or swells. If you have these conditions, shimming the wall brackets will be required.

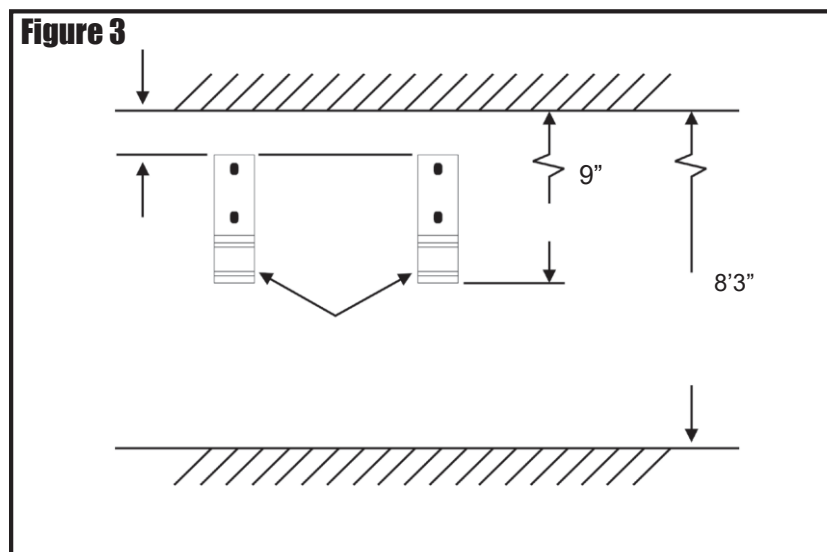
**Mounting Height:** The mounting height is defined as one inch above the highest part of the wall bracket from the deck/patio floor - see figure 2.

Your awning's pitch (angle) is not pre-set at the factory. The awning pitch (angle) can be adjusted after installing the awning. See page 19.

**Note:** When making the decision on the mounting height, remember that the awning requires **9 inches** of unobstructed area along the whole length of the awning to fit the mounting brackets on your wall. see figure 3.

To assure head clearance at the front of the awning, we recommend installing the awning above 7 foot 6 inches from the deck/ patio, with an optimal mounting height of 8 foot or above.

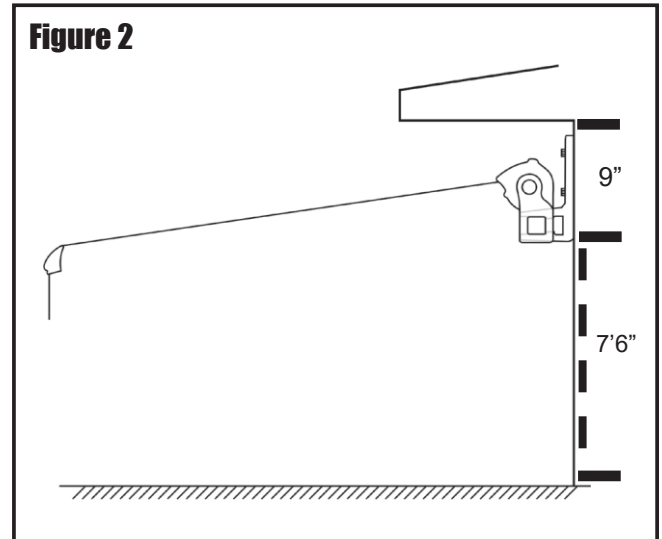
Measure up from the deck/ patio floor on one side and make a mark at your desired mounting height



(should be at least 7' 6"). Make a second mark 9 inches below the first mark. The space between these marks must be clear of obstructions, (light fixtures, etc.) all along the length of the wall. Using a chalk line or a string, snap a level line on the lower mark for the length of the awning.

The bottom of the wall brackets will rest on this lower line.

**NOTE:** For ease of mounting the awning into the brackets, it is very important that the line will be straight and level.







**WARNING:** Proper location of the brackets is the most important aspect of the awning installation. It is critical that you fasten all the mounting brackets to studs, joists, headers or other major structural members.

Even a moderate wind exerts great force on the awning and mounting brackets. This is why it is important that all the brackets will be fastened properly and securely. Proper location will also make it easier to insert the pre-assembled awning into the supporting brackets.



**WARNING:** Failure to securely fasten all the brackets to the wall could result in the collapse of the awning and cause personal injury.

**NOTE:** Mount brackets only in the locations recommended for your awning size.  
(See pages 9 & 10 for awning sizes.)

---

Location (a) - Between the left end of the awning and the left arm, on the stud nearest to the left end.

Location (b) - Between the two arms, on the nearest stud to the left arm.

Location (c) - The nearest stud to the middle point of the awning. (Size 10' - 13' only)

Location (d) - Between the two arms, on the nearest stud to the right arm.

Location (e) - Between the right end of the awning Missing the right arm, on the stud nearest to the right end.

---

**NOTE:** You will need to use all brackets supplied for secure mounting.

For 10 ft wide awnings, we recommend installing three brackets supplied at the locations: (a), (c) and (e). (See Page. **9**)

For 12 ft wide awnings, we recommend installing three brackets supplied at the locations: (a), (c) and (e). (See Page. **9**)

For 16 ft wide awnings, we recommend installing four brackets supplied at the locations (a), (b), (d) and (e). (See Page. **10**)

For 20 ft wide awnings, use five brackets supplied at the locations (a), (b), (c), (d), (e).  
(See Page. **10**)

---

## LOCATING THE BRACKETS

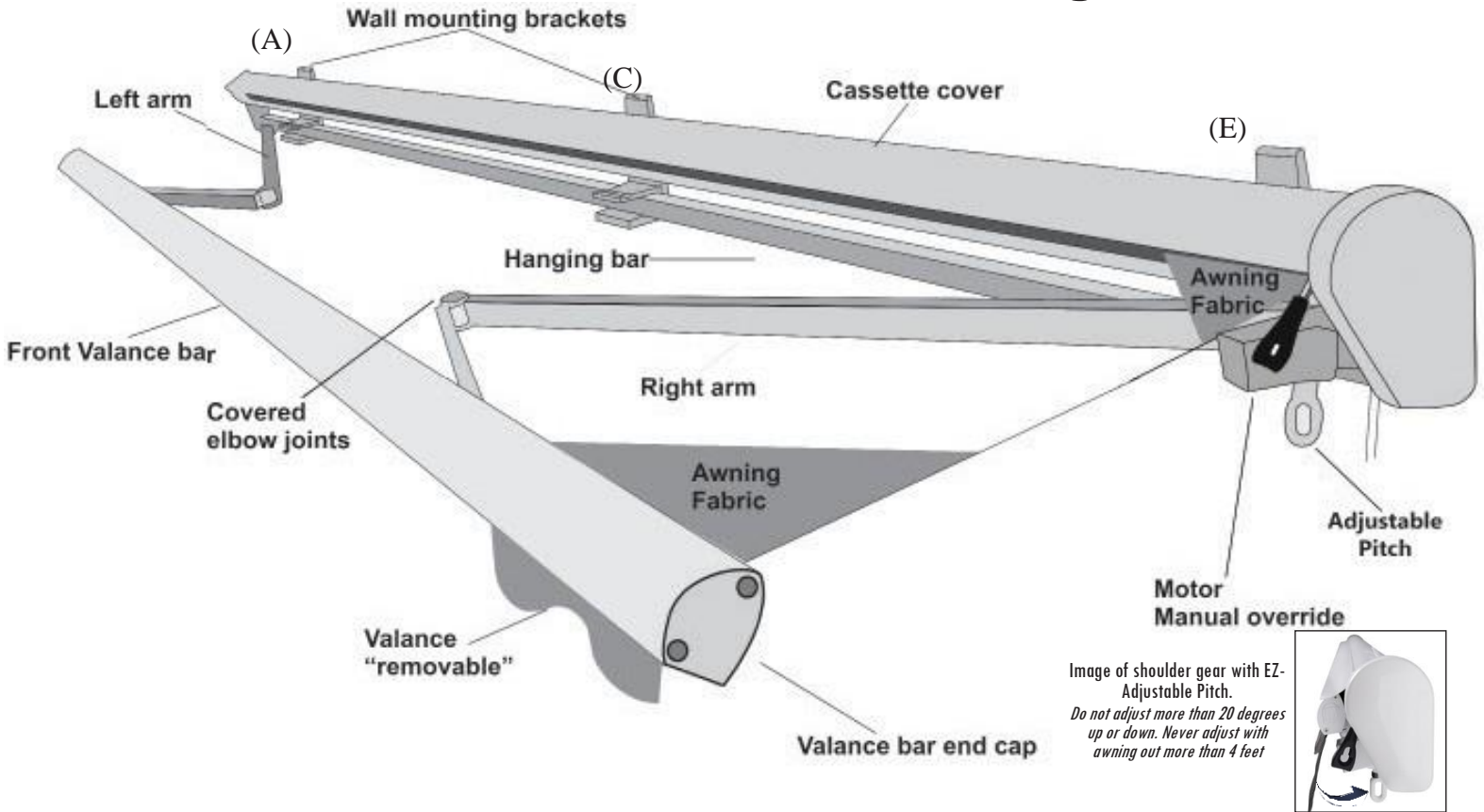
On the chalk line you have marked on the house, mark the left and right ends of the awning.

Using your awning, measure the distance from the right end of the square bar to the inner and outer edges of the right arm shoulder and record those measurements. Repeat this measurement for the left arm shoulder. Mark on the chalk line the middle point and the points where the left and right arm shoulders will be located.

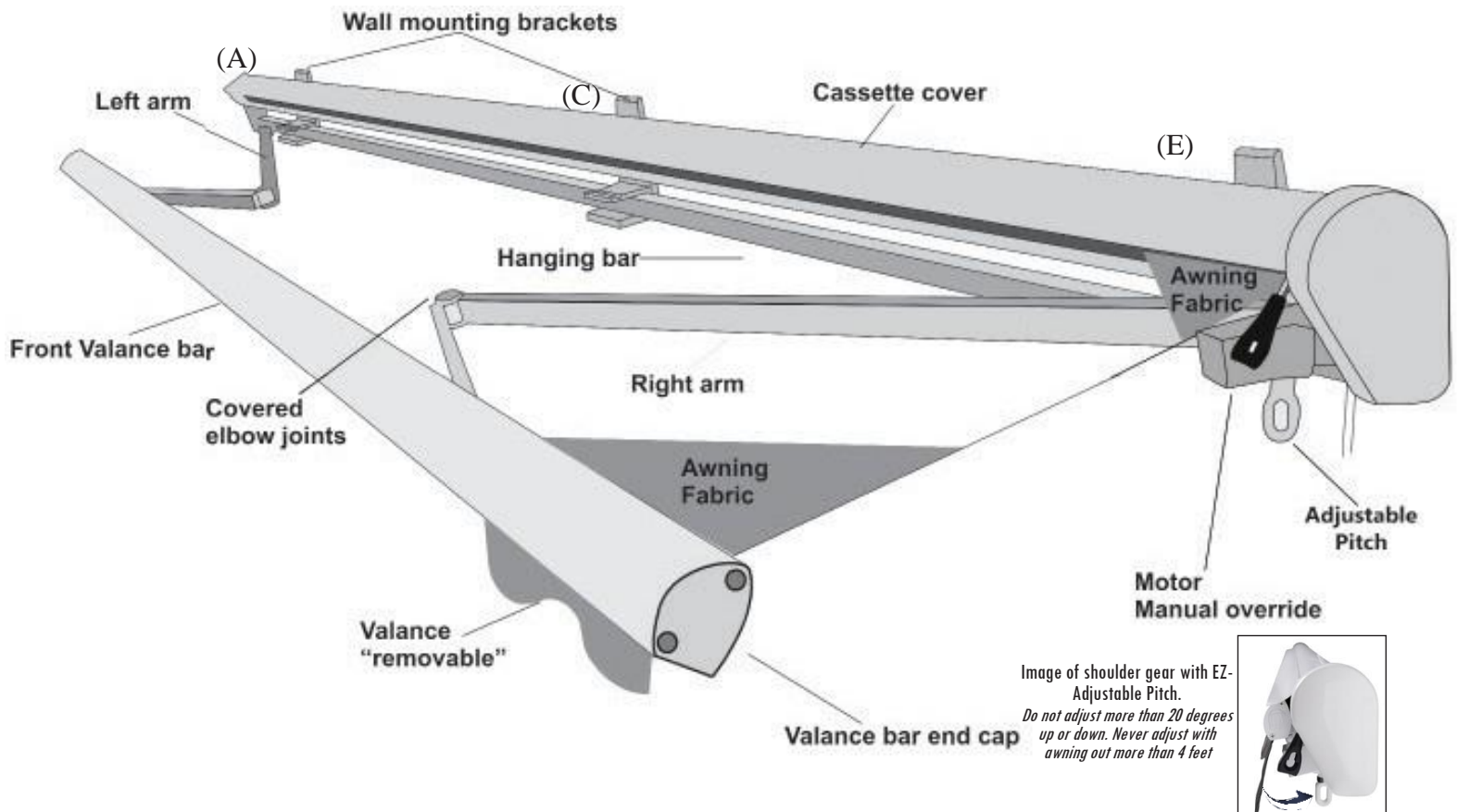
**Note:** The brackets cannot be installed in the area where the arm shoulders are located.



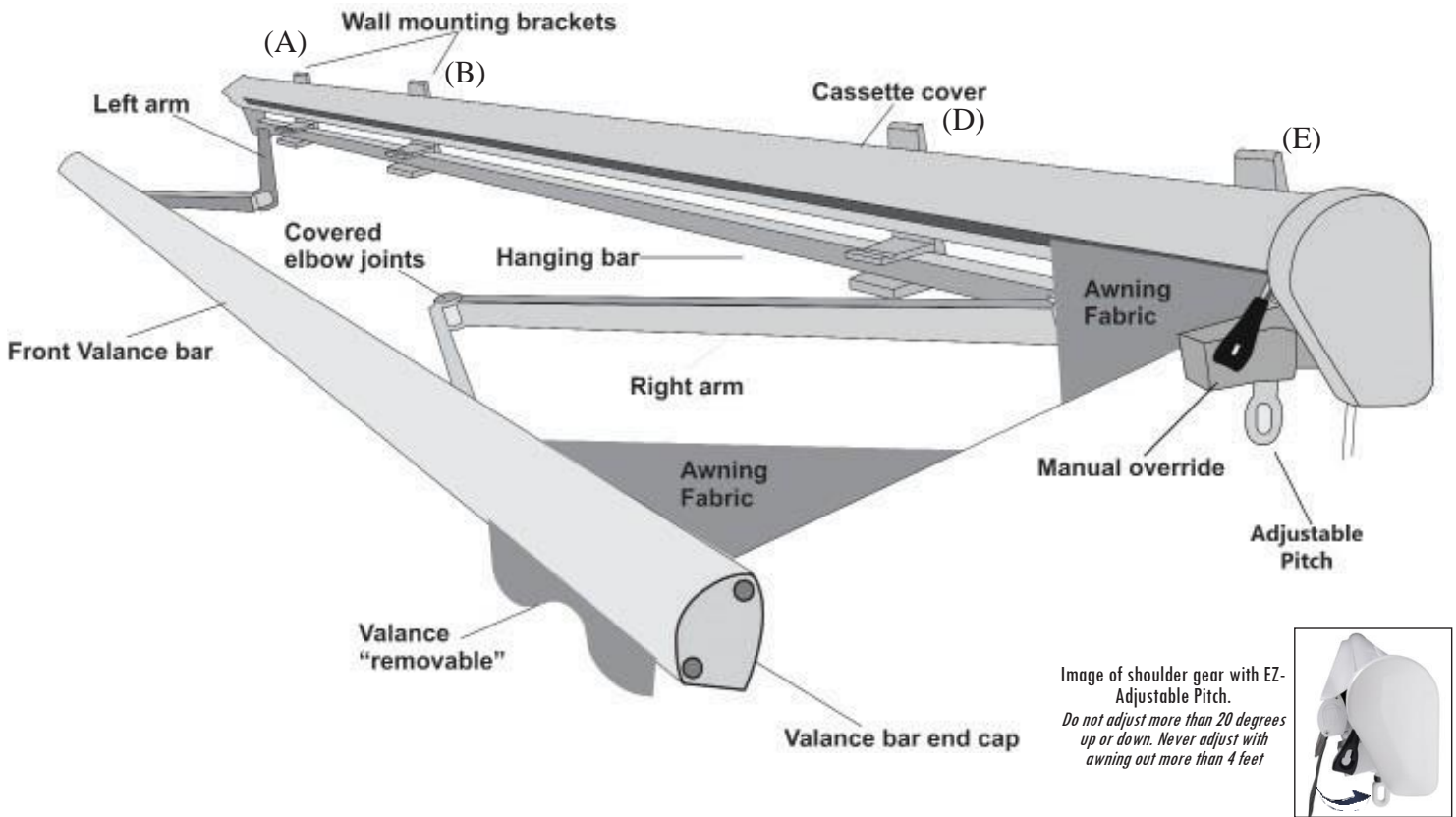
# Bracket Locations for 10' Awning



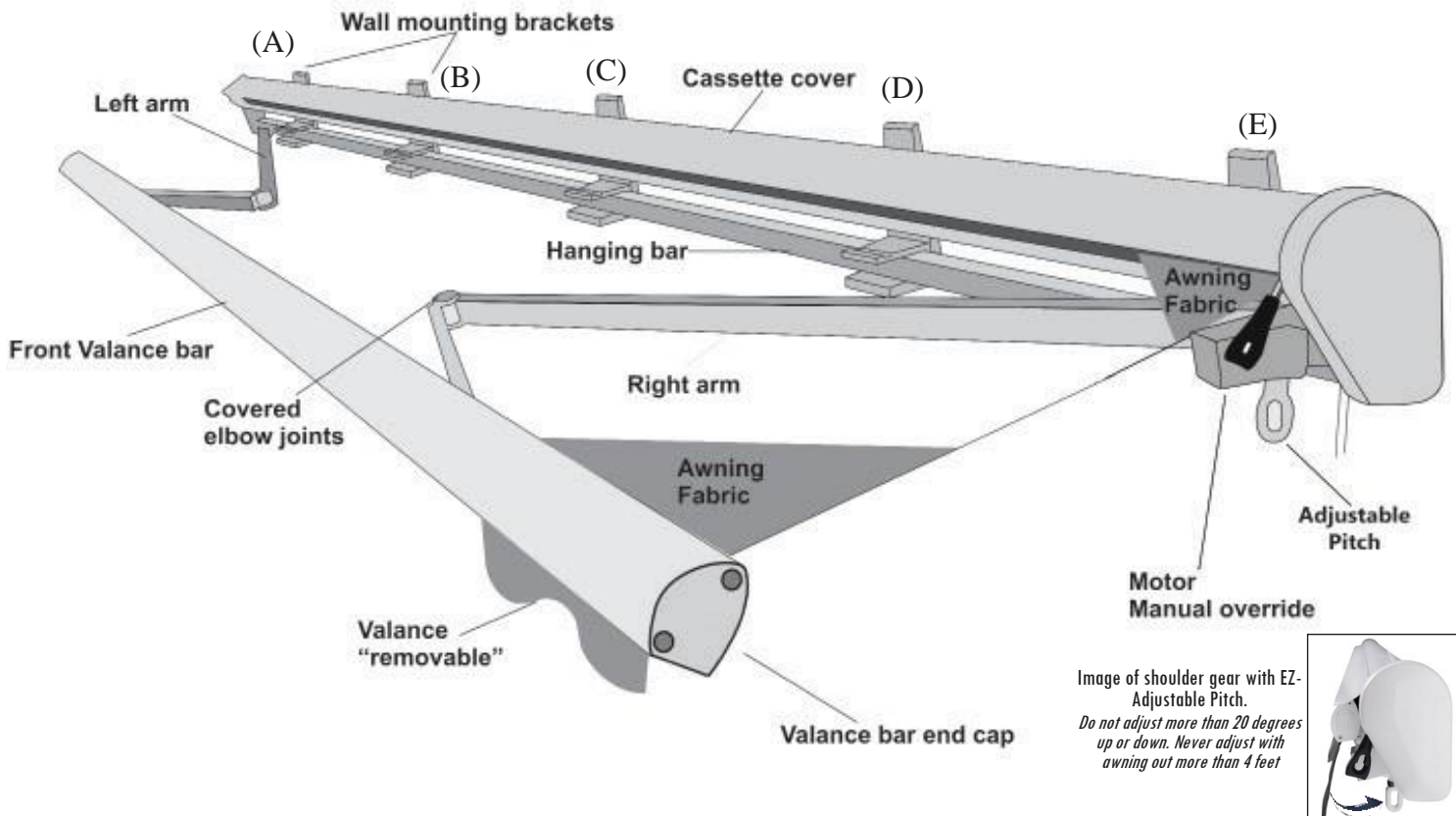
# Bracket Locations for 12' Awning



# Bracket Locations for 16' Awning



# Bracket Locations for 20' Awning



# Installation for Roof Mount

 **NOTICE:** INSTALLATION OF ROOF MOUNT BRACKETS CAN ONLY BE DONE ON ASPHALT SHINGLES. THEY CAN NOT BE INSTALLED ON TILE SHINGLES!!

When installing an awning onto your roof you will need these tools in addition to the tools found in the “installing on any wall surface” section:

- **Hammer**
- **Caulk gun**
- **Roofing tar in a caulking tube**

Measure the placement of the awning using a chalk line. Brackets should be placed as close to the edge of the roof line as possible and may have to hang over gutter so that you can still use the EZ-Adjustable Pitch. Also make sure the bracket placement will not be in the same location as the arm shoulder assembly.

## How to Locate roof trusses or joists:

There are a couple of different ways to locate the roof trusses or joists. Take a hammer and gently beat on the roof about 4 to 5 feet up from the gutter. You should be able to hear a hollow sound when not hitting the roof joist and a solid sound when right on top of the joist.

Another method is to go into the attic and measure the distances of the joists and transfer the measurement to the outside. Using a drill with a ¼ inch drill bit find the center of the joist where the bracket is going to be located. Place the bracket on the roof surface and predrill three holes into the roof joist.

Remove the bracket. Using a caulk gun fill the holes you have just drilled with roofing tar.

Replace the bracket and install the supplied lag screws and washers into the three holes using a 17mm socket and wrench. Be sure not to over tighten the lag screws as this may damage the wood. Install your wall brackets onto your roof brackets using the supplied hardware. Using a caulk gun, run a bead of roofing tar around the entire perimeter of the roof bracket. Also make sure to cover the heads of the lag screws that you just installed with roofing tar. Finish placing the roof brackets on the roof then install the awning into the brackets.



**CAUTION:** Proper location of the brackets is the **MOST IMPORTANT** aspect of the awning mounting. It is critical that you fasten all of the mounting brackets to the rafters or other major structural members.

Even a moderate wind exerts great force on the awning and mounting brackets. This is why it is most important that all the brackets will be fastened properly and securely. Proper location will also make it easier to insert the pre-assembled awning into the supporting brackets.

# Bay Bracket Installation

When installing an awning over a bay window or bay with a sliding glass door you will need the following tools in addition to those found in the “installing on any wall surface”.

- 1/2” and 3/8” metal drill bits
- 3/8” impact driver
- Exterior silicone sealant
- Depending on the construction of the house you may also need a SDS masonry hammer drill with a 5/8” drill bit and 3/4 to 1 inch shimming material.
- Torpedo level

After measuring the placement of the awning, you will want to locate your first two brackets on either side of the bay. You will want to keep the brackets close to a window or door to ensure you are going to be installing the lag bolts directly into the framing of the structure.

Once you have the first two brackets installed you may install your awning. If you have a 20’ awning you will want to have something in place to help support the awning until you have the bay brackets installed.

Drill 3/8” or 1/2” holes on the top and bottom tabs of your bay bracket. Find the stud where the bay bracket will be hung using the earlier referenced “**how to find a stud**” section.

Drill 3/8” or 1/2” holes in the bay sleeve and install the wall bracket on to the sleeve. Place the sleeve into the bay bracket and put it on the Awning in line with the wall stud. Slide the bay bracket out until it is touching the wall.

Have a helper hold a torpedo level on the square bar of the awning while gently lifting the awning upward. Be sure the awning and the bay bracket are completely level. Once the awning is level pre-drill your holes into the stud using the bay bracket as a guide. Fasten the bay bracket to the wall using the supplied hardware.

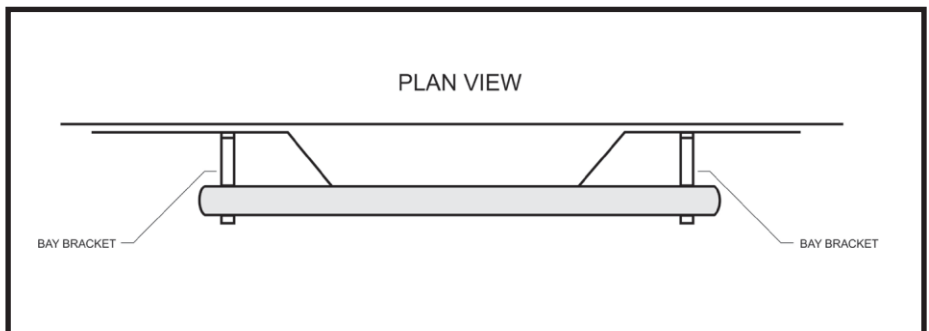
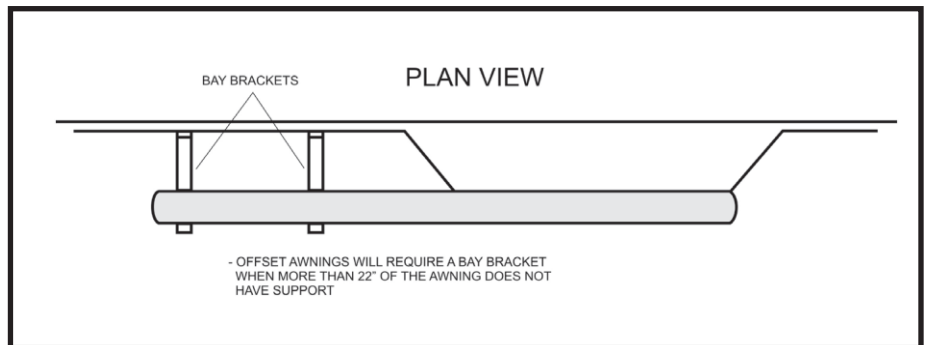
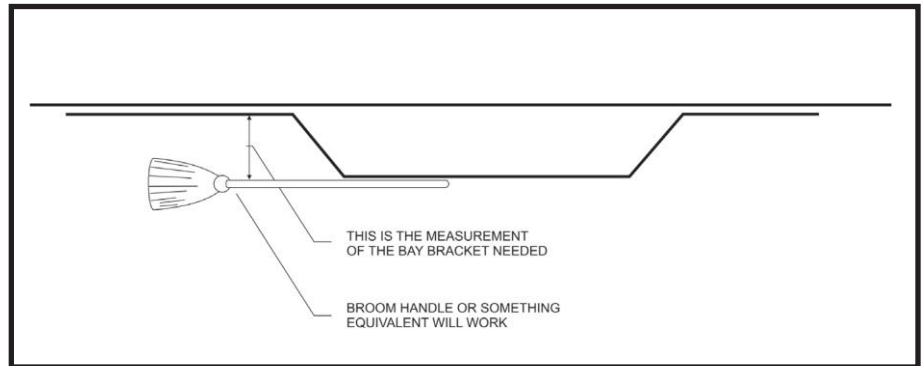


**CAUTION:** Proper location of the brackets is the **MOST IMPORTANT** aspect of the awning mounting. It is critical that you fasten all of the mounting brackets to the rafters or other major structural members.

Even a moderate wind exerts great force on the awning and mounting brackets. This is why it is most important that all the brackets will be fastened properly and securely. Proper location will also make it easier to insert the pre-assembled awning into the supporting brackets.

After the bay bracket is fastened to the wall make sure the sleeve is not sitting too far forward or too far back. Once you have the sleeve set into place take the supplied self-drilling screw and drill into the top or bottom of the bay bracket. Make sure the screw penetrates the bay bracket and the sleeve. Take exterior silicone sealant and apply to the seam between the bay bracket and the sleeve to ensure water will not go into the bay bracket.

Continue to install the bay brackets where other wall studs or major structural members are found in accordance to bracket placement found on page **9** and page **10**.



# Installation on Facia Board Covered by Aluminum over Brick

When installing on facia that is covered in Aluminum over brick you will need the following tools in addition to the tools you already have for “installing on any wall surface” section.

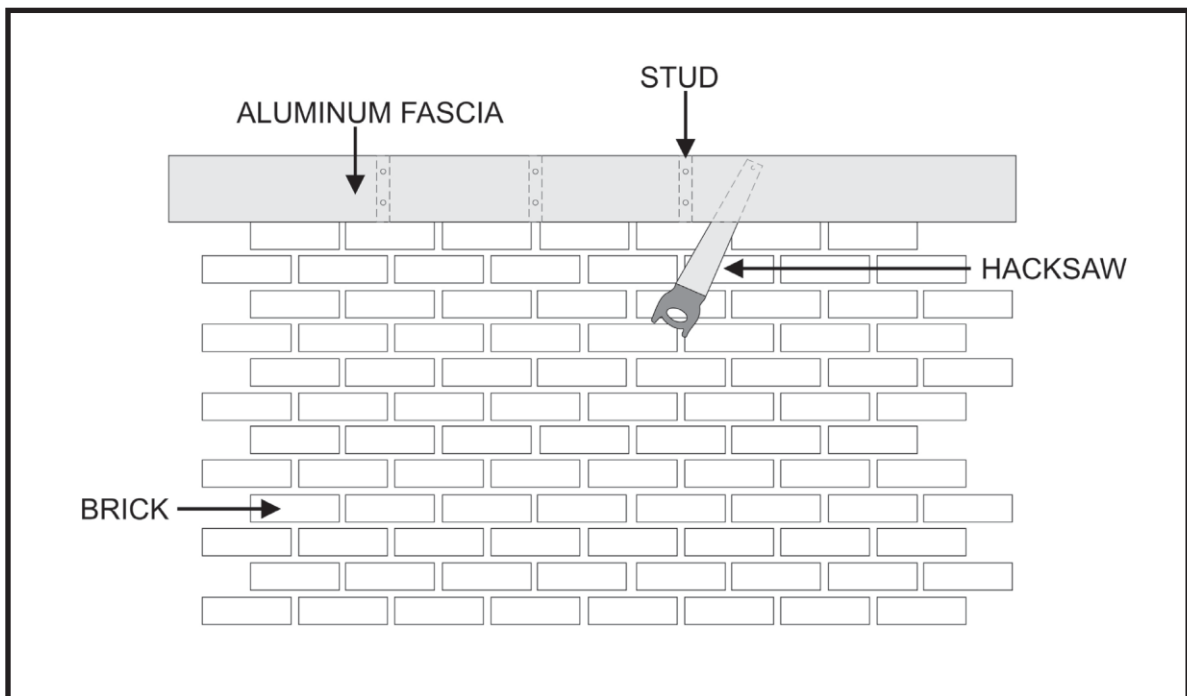
- **Hammer**
- **10 to 12” hacksaw blade**
- **Flat stock wonder/crow bar**

After making your marks on the facia where the awning is going to be installed and the shoulder location continue to the next steps to find your studs. Place the flat side of the wonder bar against the brick just under the bottom lip of the facia board.

Take your hammer and gently tap the wonder bar under the facia board. Insert the hack saw blade under the facia while gently pushing down on wonder bar under.

Slide the hack saw blade left or right of the wonder bar until it hits the side of a stud. Mark on the facia where each side of the stud is.

Then place the hack saw blade in the center of the stud and measure up to see how high the stud sits on the facia board. Continue finding studs where your brackets are going to be located. If the facia board is caulked to the brick you may need to use a stud finder to locate the studs behind the facia rather than the wonder bar.





# Installation for Soffit Mount

**Note:** The following instructions are for installing to a level overhang or soffit. Before beginning, please familiarize yourself with the components of the awning as shown on Page 9 and Page 10. Make sure you ordered soffit brackets as they are optional.

## Tools Required

For installing the awning on the soffit, under the overhang, you will need an assistant, measuring tape, two step-ladders, 9/16" socket, chalk line (or string), Phillips screwdriver, pencil, a level, electric drill, 1/8" and 1/4" drill bits, 1/2" or 13mm wrench and a stud finder.

## Mounting Line

1. Snap a horizontal straight line on the soffit, using the chalk line, the length of the awning. When you position your chalk line on the soffit, consider that when retracted, the awning will project 10" from the chalk line -- see figure 13 on page 15.

**Note:** For ease of mounting the awning to the brackets, it is very important that the line be straight.

## Locating the brackets



**CAUTION:** Proper location of the brackets is the **MOST IMPORTANT** aspect of the awning mounting. It is critical that you fasten all of the mounting brackets to the rafters or other major structural members.

Even a moderate wind exerts great force on the awning and mounting brackets. This is why it is most important that all the brackets will be fastened properly and securely. Proper location will also make it easier to insert the pre-assembled awning into the supporting brackets.

**Note:** Mount brackets only in the locations recommended for your size awning.

**Note:** You will need to use all brackets supplied for secure mounting.

For 20 ft wide awnings, use ALL 5 brackets supplied at locations (a) (b) (c) (d) and (e) see Page 10.

Location (a) – Between the left end of the awning and the left arm, on the rafter nearest to the left end.

Location (b) – Between the two arms, on the nearest rafter to the left arm.

Location (c) – The nearest rafter to the middle point of the awning.

Location (d) -- Between the two arms, on the nearest rafter to the right arm.

Location (e) – Between the right end of the awning and the right arm, on the rafter nearest to the right end.

2. On the chalk line you have marked on the soffit, mark the left and the right ends of the awning. Using your awning, measure the distance from the right end of the square bar to the inner and outer edges of the right arm shoulder and record those measurements. Repeat this measurement for the left arm shoulder. Mark on the chalk line the middle point and the points where the left and right arm shoulders will be located (points a, b and c in figure d respectively).

**Note:** The brackets cannot be installed in the area where the Arm Shoulders are located.

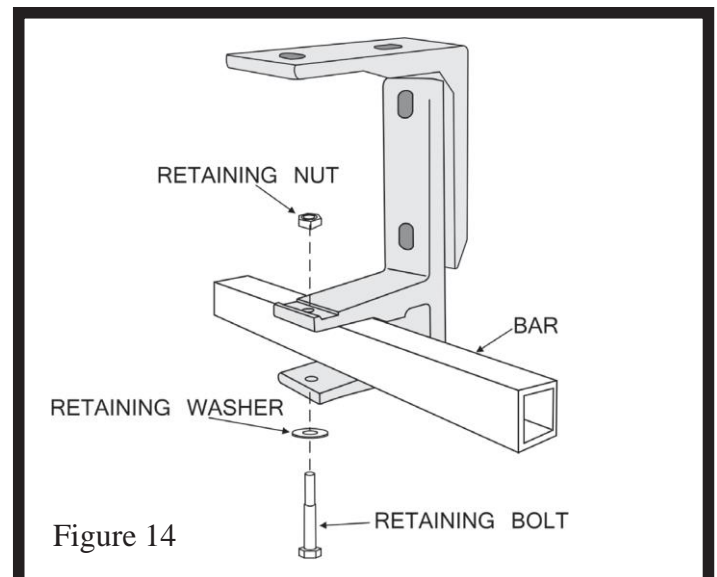
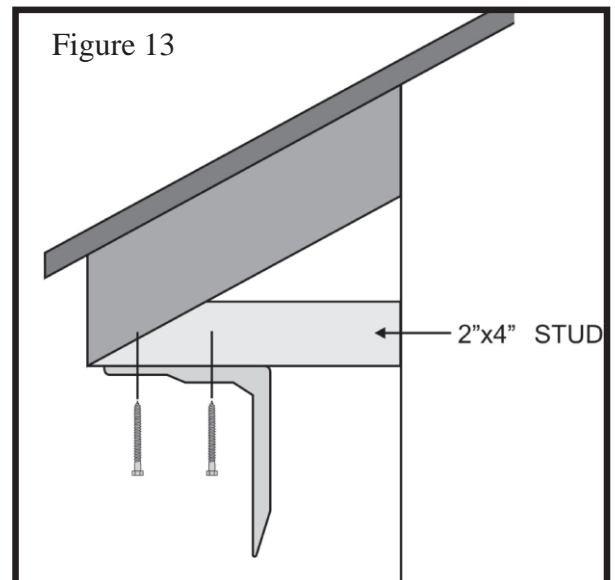
## Installation for Soffit Mount (continued)

3. **YOU MUST NOW LOCATE THE RAFTERS IN THE AREA IN WHICH EACH BRACKET MUST BE INSTALLED AS EXPLAINED EARLIER IN “LOCATING THE BRACKETS”.** To find the rafters, use a stud finder. Be sure to read the stud finder instructions before usage. Mark the center of each rafter, on which a bracket will be installed with a 7” long line.
4. Position the bracket against the soffit, centered over the vertical line, with the back of the bracket even with the horizontal chalk line, and mark the two holes.
5. Drill 1/4” pilot holes about 3-1/2” into the rafter. This will prevent the framing from splitting while installing the lag screws. You may want to cut out the vinyl in the shape of the top of the bracket to ensure the bracket sits level on the rafter.
6. Using a 9/16” socket, install the bracket with the 3/8” x 4” long lag screws. Use the flat washer provided under the head of the screw. Make sure not to overtighten the lag screws; doing so may split the wood framing or weaken the screw.
7. Attach the wall brackets to the soffit brackets with the supplied hardware. Repeat for all brackets.

**WARNING:** Failure to securely fasten all the brackets to structural members of the soffit or failure of the structural member to support an awning could result in the collapse of the awning and cause personal injury.

### Securing the Awning into the Brackets

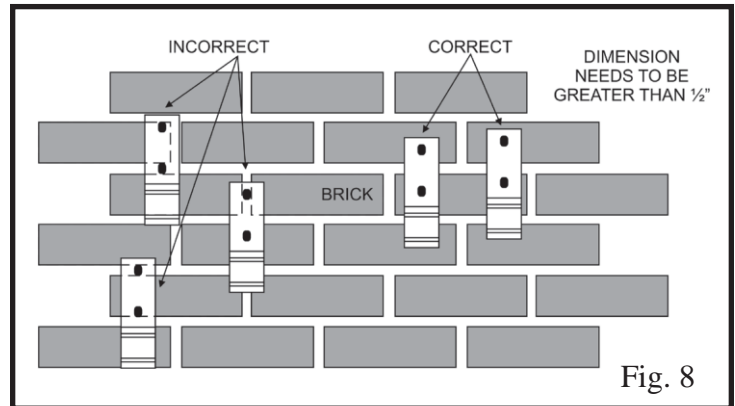
- Carefully remove all packaging from the awning.
- Separate the wand from the awning.
- Insert a retaining nut into each of the two special slots in each bracket - see Fig. **14**.
- With proper help, lift the awning (with fabric Roll tube above the Square Bar) into the brackets and position so the ends line up with end points marked on the wall.
- Push the square bar into the brackets and secure with one retaining bolts in each bracket. Be sure to insert the bolt from the bottom of the bracket up. You might need to apply pressure on the square bar to permit insertion - see page **16** figure **9**. Return to “Checking your Awning for Proper Operation” page **16** to complete the installation of your awning.





# Installation for Brick Mount

**CAUTION:** The masonry fasteners recommended are NOT supplied with this awning and ARE NOT designed for use in the joint between two bricks. They are ONLY to be installed within the main body of a brick, not within 1/2" of an outer edge of the brick (see figure 7). The fasteners are also not suitable for hollow cinder-block type construction or wall surfaces that have deteriorated. Consult a local hardware store for fasteners that fit these types of applications. Do not use recommended masonry fasteners on a stucco wall.



- Remove the bracket and drill a 1/4" pilot hole using a masonry drill bit, about 3" deep for the top hole. Make sure the bottom hole is plumbed with the top hole, then drill the bottom hole.
- Using the 5/8" masonry bit, drill both holes 4-1/2" deep. Do not allow the holes to become tapered or oversized while drilling to this final size.

**CAUTION:** You must drill these holes in the two specified steps. If you do not follow these steps, the size of the hole can become too large and the bolts will not hold properly.

- Place a flat washer under the head of the lag bolt and screw the bolt into the lead shield using a 9/16" socket - see page 25 figure 10. Repeat for another bolt. While tightening the bolts, make sure to keep the bracket plumb (use a level if needed). Do not overtighten the bolts.

**WARNING:** You must be sure the lag bolts are tight in the shields. If not, remove them and consult a local hardware store for fasteners that fit your application.

Repeat for all brackets.  
Securing the awning into the brackets

Carefully remove all packaging material from the awning.

Separate the wand from the awning.

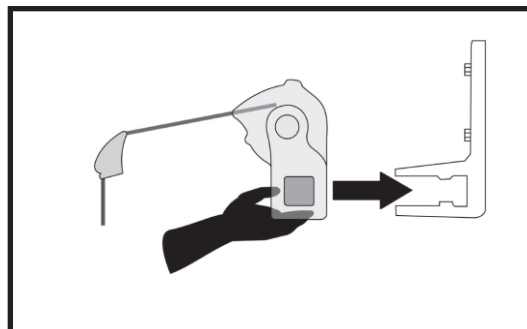


Fig. 9

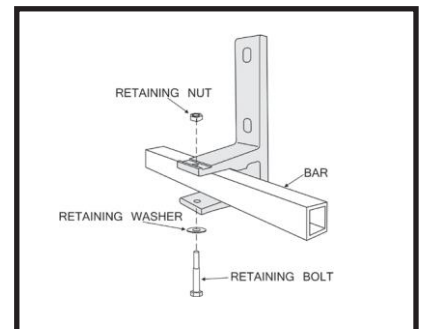


Fig. 10

Insert the retaining nut into the special groove in each bracket - see figure 10.

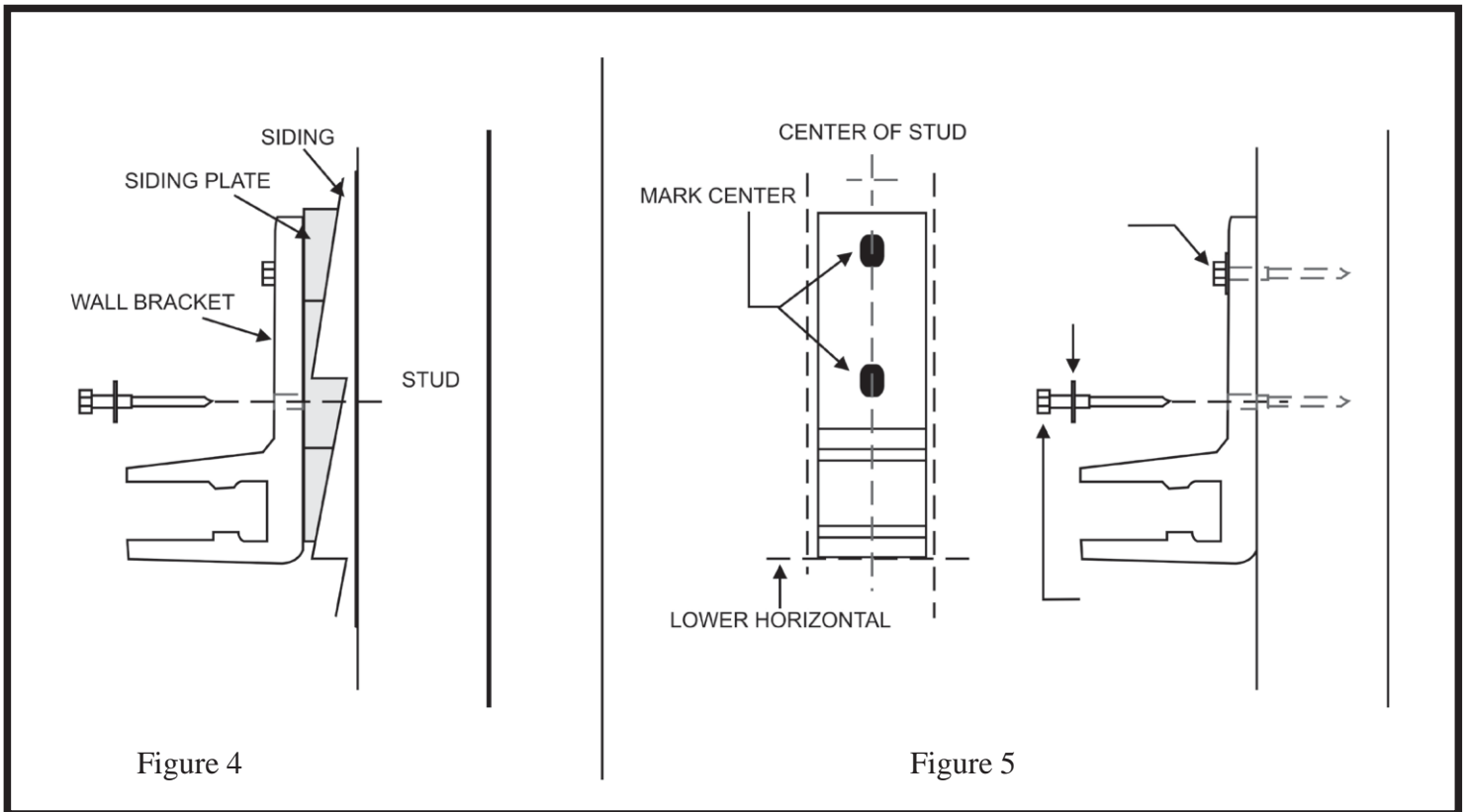
With the proper help, lift the awning (with fabric/roll tube above the square bar) into the brackets and position so the ends line up with end points marked on the wall -see fig. 8.

**WARNING: NEVER INSTALL AN AWNING ON SOLIDER BRICK. Solider brick does not allow you to securely fasten your awning. Installing your awning on solider brick could result in personal injury.**

# Installation for Siding Mount

**Note:** For an attractive, finished appearance on Wood Siding, you can use spacers or siding plates underneath each bracket to make a flat surface. For Vinyl or Aluminum Siding, shimming beneath the siding in each bracket location may provide a more solid surface for mounting - see figure 4. Siding plates are supplied with your awning if specified at the time of sale.

Position the bracket on the wall (or on the shim), centered over the vertical line, with the bottom of the bracket even with the lower horizontal chalk line. Using a level, plumb the bracket vertically, then mark the top and bottom holes-- see figure 5.



Remove the bracket and drill the top hole through the siding bracket or shim (if appropriate) and about 3-1/2" into the stud or joist. using a 1/4" drill bit. This will prevent the framing from splitting while installing the lag screws. Make sure the bottom hole is plumbed with the top hole, then drill the bottom hole. Using a 9/16" socket, install the bracket with the two 3/8" x 4" long lag screws. Use the flat washer provided under the head of the screw. While tightening the lag screws, keep the bracket plumb (use level if needed). Do not overtighten the lag screws; doing so may split the wood framing or weaken the screw -- see figure 5.

Repeat for all brackets.

**WARNING:** You must securely fasten all the brackets to the studs. Some homes may require longer lag screws. Please consult with a local handyman or contractor if appropriate. Failure to do so could result in collapse of the awning and cause personal injury.

# Checking Your Awning for Proper Operation

**NOTE:** Do not plug the power cord into the outdoor outlet yet.

Plug the electric cord into your outdoor ground fault receptacle.

We've also supplied a wall holder for the remote transmitter - see page 5.



**CAUTION:** Do not permit the hand-held remote transmitter to get wet as this can affect its proper operation. It is recommended to install the wall holder inside the house.



**WARNING:** Make sure to unplug the awning before using the crank wand.

**Note:** During an electrical outage, you can open or close your awning using the crank wand supplied. Just insert the wand into the black crank loop and turn – see **photo**



## Test for Proper Operation

**Note:** The open and close stop limits on the awning motor were set and tested at the factory prior to shipment.



**CAUTION:** When opening the awning for the first time, it is very

important to be sure that the Open stop setting on the motor has not been disturbed during shipment to your home. After pressing the 'Open' button on the remote transmitter to extend the awning, be ready to press the middle button if the awning continues to unroll past the point that the fabric starts to excessively sag. If this happens, press the 'Close' button on your remote transmitter to close the awning and refer to page **20** reset the open limit position on the motor.

Test the operation of your awning by using the open and close buttons on your remote control. The awning should open to its full projection and the arms will still be bent but not locked at the elbow (this is normal). The awning should close so that the front bar is just inside the protective housing. If your awning fails to open to its full projection or does not appear to open and close properly, please follow the steps on page **20** to reset the Open/Close Stop Limits. Are you happy with the height and level of the Front Bar? If yes, Great! Your installation is now complete. Enjoy your new awning. If No, and you would like to change the pitch(angle) of your awning- refer to page **19**.



**Note:** Please refer to pages **21** to **24** for Care and Maintenance Guidelines for your awning.

## EZ-Adjustable Pitch


One of the great features of your awning is the EZ-Adjustable Pitch that came standard on your awning. This allows you to adjust the pitch of the awnings left or right side individually.

To adjust the pitch, insert crank handle hook into the loop shown (do not use the black loop as that is for emergency manual override only) and turn clockwise to raise and counter clockwise to lower.

### Caution:

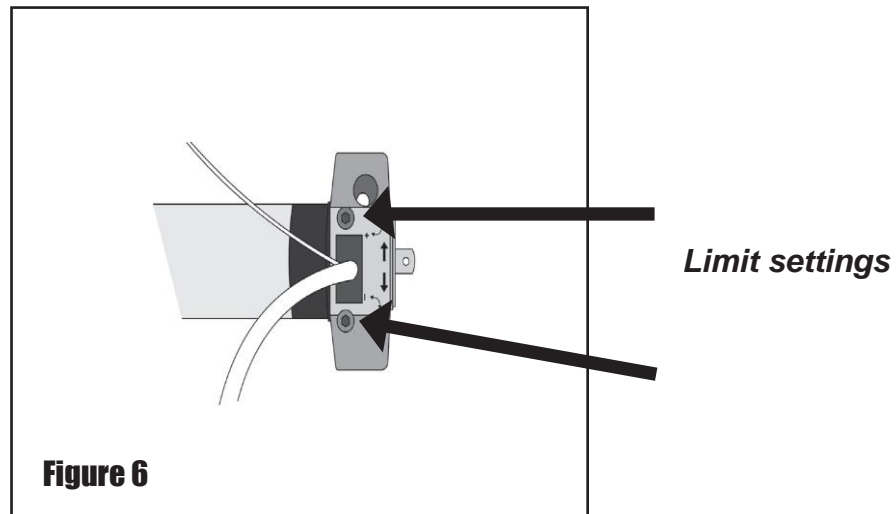
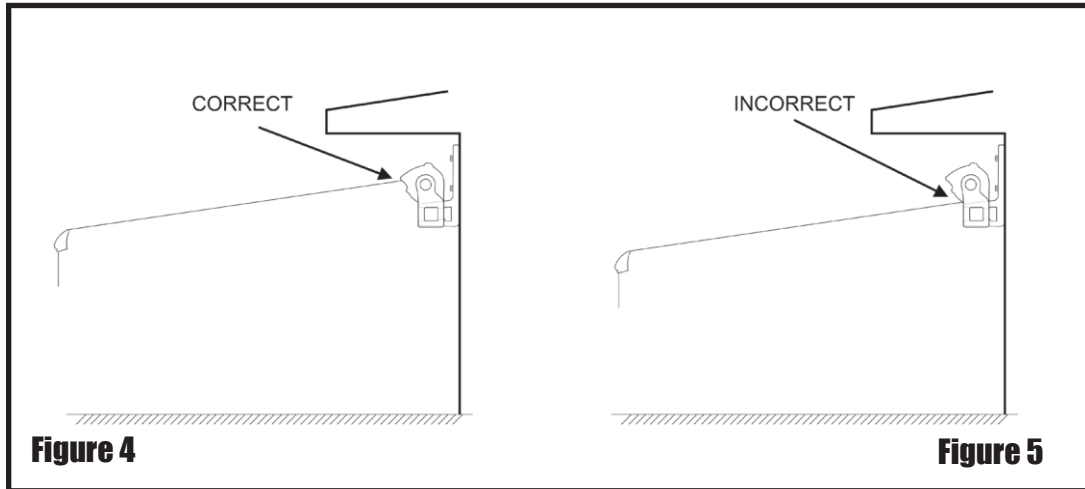
- Do not adjust the slope more than 20 degrees from its factory setting.
- **Do not extend the awning out more than 4 feet when adjusting the slope. After slope is adjusted, then extend awning out to the desired projection.**
- You can adjust the slope with the awning all the way out with a second person slightly lifting the front bar to take the weight off the arm that is being adjusted.
- **If you are going to use your awning in lite rain you must use EZ-Pitch to slope the awning to one side or the other to allow water to drain off the awning fabric. Failure to do so could allow water to accumulate and damage your awning and even pull off its mounting!**



 **WARNING:** The awning is not designed to hold the weight of rainwater pooling on the fabric. Accumulation of rainwater on the fabric could collapse the awning and cause serious injury.

# Adjusting In and Out Limits of the Awning


- The motor on your awning is mounted on the right, as you face the house, complete Steps 2 thru 6.
- Press the Neutral/Stop button on the remote.
- From a stepladder locate the two 4mm limit Allen screws on the motor. These screws will be colored. One will be red, and one will be white. These are the limit screws for the IN and OPEN positions for the motor on the awning.





- To adjust the inward setting of motor, locate the Allen screw that is red and turn it counter clockwise or towards the plus (+) sign to close the awning tighter. You must run the awning motor by using the remote control while adjusting the limit. Fig 6
- To adjust the outward setting of the motor, locate the Allen screw that is white and turn it clockwise or towards the plus (+) sign to increase the projection of the awning. Be sure not to “LOCK” the arms or allow the fabric to sag when making this adjustment. The arms should stop just before the lock position. The fabric will also be at it tightest point.


**NOTE:** The fabric should be rolling over the top of the roll tube (figure 4), not underneath (figure 5). If the fabric is rolling from the bottom of the roll tube, continue unrolling the fabric until it rolls over the top of the roll tube. Then roll up the fabric until both lateral arms ‘lock’ and the fabric become tight.


# GENERAL CARE AND MAINTENANCE OF YOUR AWNING

 **WARNING:** Prior to operating the awning, be sure that no objects or persons can come in contact with it as it opens and closes. Keep children away from any moving parts of the awning as it operates. **Failure to do so could result in personal injury.**

 **CAUTION:** Never attempt to hang items from any part of the awning, except those accessories that are supplied by the manufacturer.

 **WARNING:** Never attempt to repair or disassemble any part of the awning without following replacement part procedures supplied by the manufacturer. Trying to do so without proper instructions could result in personal injury.

 **CAUTION:** Damage to the awning fabric, arms and mechanism caused by water pooling or windy conditions are not covered by the manufacturer's warranty. Always retract your awning during periods of snow or heavy rain. Never leave your awning extended out and unattended when there are heavy winds.

 **WARNING:** Rain water pooling on the fabric could result in the collapse of the awning and cause personal injury. You must roll-up your awning when water starts pooling on the fabric.


**NOTE:** It is normal for the fabric to form waves or wrinkles at the hemmed edges as the awning rolls up. This is because the fabric layer is double only along the edges. It is also possible for the awning fabric to slightly sag as a result of its own weight, this is normal.

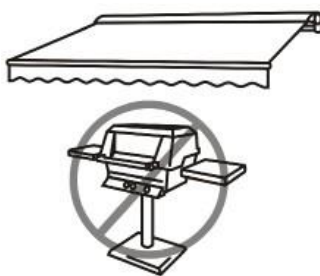
## PROTECTING THE FRAME

Your awning contains extruded and die-cast aluminum components. These aluminum parts are powder-coated for long-lasting beauty.

## LUBRICATION

Once a year, you may wish to lubricate the black plastic bushing on the roll tube on the side opposite of the motor. During extended use, dust may accumulate on this moving part and may cause a minor squeak as the awning opens or closes. Any type of light lubricant will eliminate this type of noise. You may also wish to lubricate the pivot points of the lateral arm elbows.

 **WARNING:** Never use a barbeque grill, any type of patio heater or fireplace under your awning. **Doing so could result in the fabric burning or melting and could result in personal injury.** See below.



# Care and Maintenance of your Awning

**WARNING:** Any permanent wiring of the awning must be performed by a licensed electrician per your local electrical codes. Failure to do so could result in personal injury.

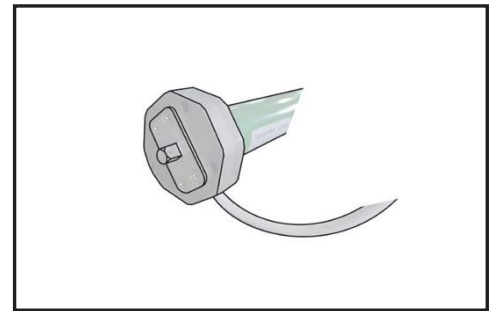
The motor is supplied by Dooya Inc., the recognized world leader in specialized electric tubular motors for awnings and sunshades. This 110-volt motor is UL (Underwriters Laboratories) and CSA (Canadian Standards Association) approved. This motor features the manual override option that allows you the safety and convenience of manual operation during electrical failures.

The electric motor is equipped with an automatic overheat protection shutoff system. If you run your awning several times continuously, the motor will stop its operation. It will resume normal operation after 15 minutes of cooling down.

## PROTECTING THE ELECTRIC MOTOR FROM WATER DAMAGE

To prevent water from entering the head of the motor, it is recommended that a drip loop be formed as shown in figure 31. Notice that the bottom of the loop is lower than the cord's entry point to the motor. Rain water gaining access into the roll tube could damage the internal components of the motor.

Figure 31



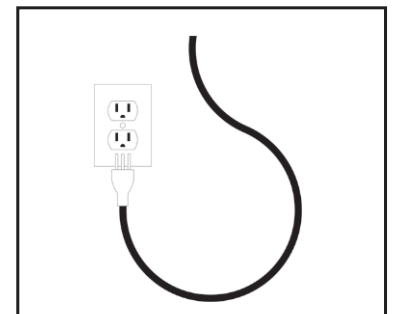
## PROTECTING THE GFI ELECTRICAL OUTLET FROM WATER DAMAGE WHEN MOTOR POWER CORD IS PLUGGED IN

To prevent water from entering the outlet it is recommended that a drip loop be formed at the end of the power cord as shown in figure 32. Additionally, it is recommended that an "In-Use Weatherproof Cover" is installed over the outlet. Covers are available at most local hardware stores.

Figure 32

## PREPARING YOUR AWNING FOR THE OFF SEASON

Unplugging the motor power cord from your wall outlet and covering the plug may prevent rain and moisture from entering the outlet which could interfere with proper motor function in the Spring. Before rolling up your awning for the last time of the season, it may be beneficial to ensure the fabric is clean and dry which will prevent mildew from forming over the winter.



## CHANGING THE BATTERY ON YOUR REMOTE TRANSMITTER

Please note that you might have to replace the battery after 1 year, or if the remote transmitter stops working. You should find this type of battery in any local hardware store. To replace the battery, simply remove the back of the remote transmitter replace the old battery and reinstall the back cover. Be sure to note the orientation of the old battery as you remove it.



# Care and Maintenance of your Awning

We use the finest proprietary blend of 100% Solution Dyed Polyester fabric that is also 100% Recyclable! To preserve this finish, cleaning of the fabric must include the following.

## Standard Maintenance

Thoroughly remove the dust from the dry awning fabric by vacuum cleaning, gently beating or brushing. Then clean with a prolonged spraying of luke warm water and a mild soap while gently brushing. Rinse thoroughly to remove soap.

## Stain Removal

For more stubborn cases, a general solution of no more than a ½ cup (4oz.) of chlorine bleach and a ¼ cup (2oz) of mild soap per gallon of water is normally recommended. Do not leave this mixture on the fabric more than 20 minutes. Then the fabric should be rinsed thoroughly with cold water to remove all of the mixture.



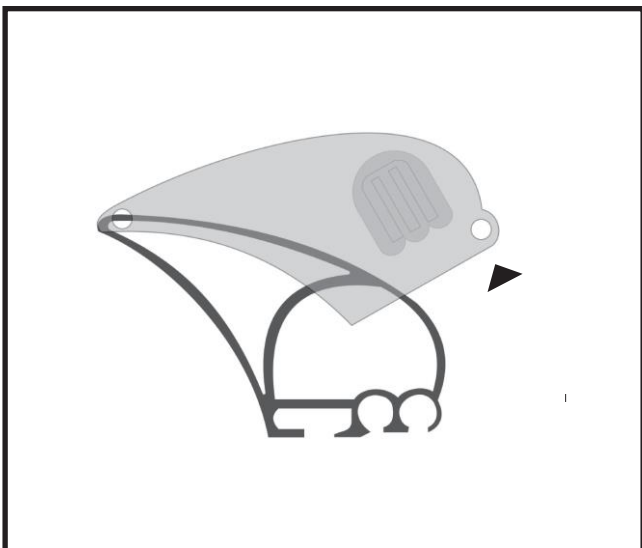
**CAUTION:** Bleach can deteriorate sewing threads. The fabric should be rinsed thoroughly with cold water to remove all of the soap. This method of cleaning may remove part of the water repellency of the fabric. Therefore, if water repellency is important, the fabric afterwards should receive an application of any air curing fluorocarbon water repellent treatment like 303 High Tech Fabric Guard.

## Cold Climates with Snow or Ice

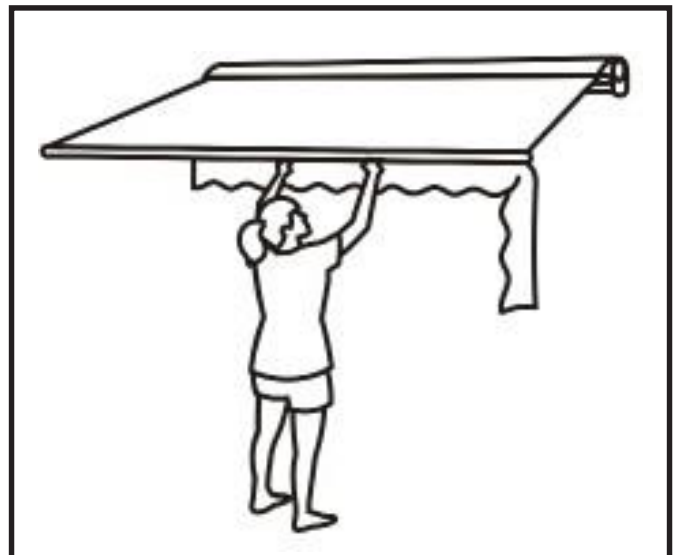
Removal of valance in the winter months is a must. To remove the valance you will need a philips head screw driver to remove bottom screw on each side end cap of the valance bar (see figure **8**)

Once you remove each bottom screw on each end cap simply slide cap up and slide the valance out of one side and slide cap back down. You should put the screws back in a couple turns into the valance where there is a plug. Roll valance and store for next season. (See figure **9**)

Then Unplug the awning from the outlet and you are ready for winter storage



**Figure 8**



**Figure 9**

## TROUBLESHOOTING

### **Can I “hard-wire” the awning motor into my home -**

SunPro cannot be responsible for any changes in electrical configuration of the motorized awning. Have your electrician contact a SunPro Awning representative for information regarding the motor.

### **How low can the pitch be set -**

As low as a 35-degree angle.

### **Fabric wrinkles when the awning is opened/closed -**

The awning fabric has a hem along both ends of the material; some wrinkling is a characteristic of the extra thickness along either edge. This wrinkling may be more noticeable when retracted and after prolonged periods when the awning is not used. This condition is normal. Leaving the awning open in warm weather should minimize the wrinkling over a period of time. Ensuring that the awning fabric is centered on both the Roller tube and the Front Bar may also lessen the appearance of wrinkles in the fabric.

### **Lateral arms (elbows) are not even when awning is retracted -**

Each lateral arm is supported individually to the square bar. Therefore, it is normal that when the awning is closed, the arms may not necessarily be even with each other when viewed from the front or underside of the awning. Insure that fabric is evenly centered on Roller tube and Front Bar. This will assist the lateral arm in closing more evenly.

### **The roller tube and fabric appear to bounce when opening and closing the awning. -**

The roller tube that holds the fabric is supported only at the extreme ends and it bows toward the center. As the Roller tube rotates, it may move up and down toward the center. This is a natural tendency of the bar and may be more noticeable with larger size awnings.

### **Fabric is not centered on the roller tube or the front bar. Fabric gathers more to one side on the roller tube as the awning retracts.**

1. Press the Neutral/Middle button on the remote.
2. Unplug the power cord from the electrical outlet on the wall.
3. Manually crank the awning open; continue unrolling the fabric until the steel roller tube is fully exposed.
4. Center the fabric on both roller tube and front bar.
5. Manually roll up the fabric until both lateral arms ‘lock’ and the fabric become tight; ensure that the fabric is rolling over the top of the roller tube.

## **TROUBLESHOOTING (CONTINUED)**

### **After installing, the awning will not function -**

Is there power to the receptacle? Verify that the red light on the remote transmitter comes on when you press and hold a button. If red light does not come on, remove battery and reinsert in slot and try pushing button again.

### **The red light on the remote transmitter does not come on when I press and hold the button -**

If no light, remove the battery and reinsert in slot and try pushing button again, if no light replace battery.

### **Awning rolls out but will not retract -**

Reset the IN/OUT limit settings using the instructions in the installation manual – see Page **20**

### **Awning retracts but will not roll out -**

Reset the IN/OUT limit settings using the instructions in the installation manual – see Page **20**

### **Awning rolls out and keeps going and fabric starts to sag -**

Reset the IN/OUT limit settings using the instructions in the installation manual – see Page **20**

### **When opening or closing my awning, the awning does not stop at the correct OPEN/ CLOSE position and I must use the Neutral (STOP) button on the remote transmitter. -**

Reset the IN/OUT limit settings using the instructions in the installation manual - see Page **20**.

### **Awning will not open or retract using the Manual Override Crank -**

The awning must NOT have power going to the motor for the manual override to operate correctly when using the crank. Please make sure to **ALWAYS** unplug the cord from the electrical receptacle.

### **Remote transmitter, can I use more than one -**

Yes, you can have more than one remote per unit. BUT you can not control more than one unit per remote. (No multi-channel remote)

### **After opening and closing the awning several times, the motor suddenly stopped working and will not close or open the rest of the way -**

The overtemperature sensor has temporarily shut off the motor. The motor will resume normal operation after about 20 minutes of cooling down. **Note:** If the awning is in the closed position and ambient temperature is elevated, it might take a little longer.

### **When operating my awning the GFI on the outlet keeps tripping and interrupting the power supply to the awning -**

First test the GFI by plugging in another appliance (such as a hairdryer) to insure outlet is working properly, if OK. Test awning by getting power from other outlet inside the house using an extension cord, if OK. There may be moisture in the motor housing causing the GFI to trip, please allow motor to dry over 2-3 sunny days. Motor is designed to operate if it gets wet and dries out.

# Current Awning Accessories

## Wireless Wind Sensor



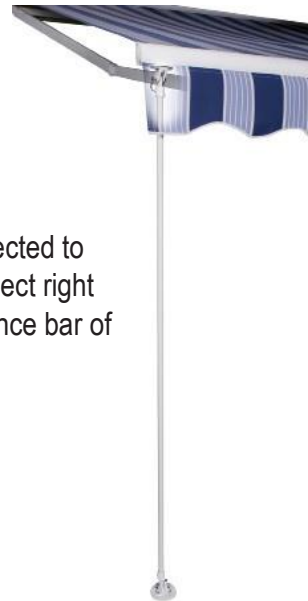
Wireless wind sensors are used to automatically retract your awning when the wind is too strong.

## Front Screen



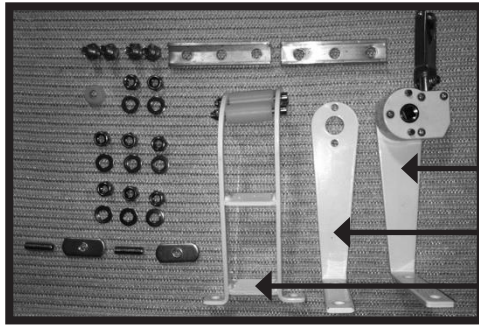
Front Screens add additional shading when a deck or patio faces East or West.

## Wind Poles



These wind poles are connected to your deck or patio and connect right to the base of the front valance bar of the awning.

# Front Screen Installation



Crank Side

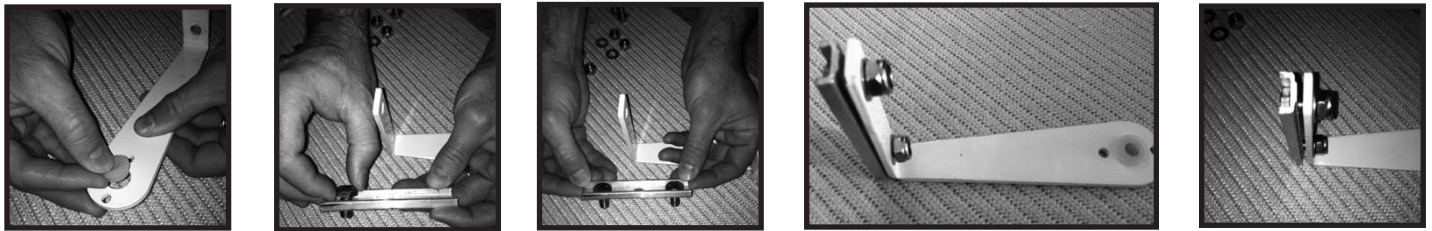
Idler Side

Center Roll Support

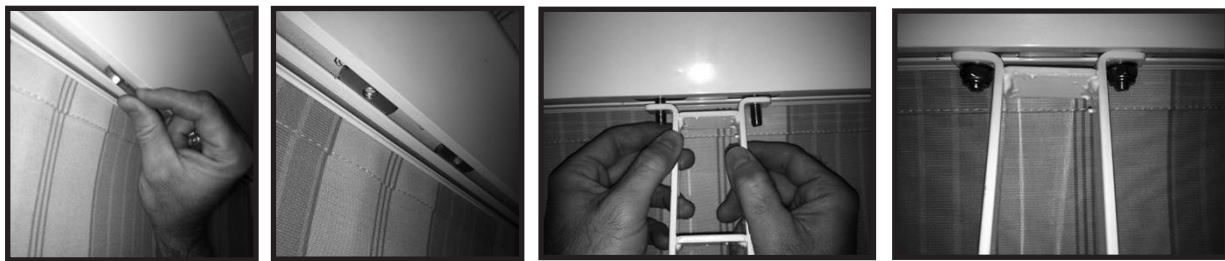


Image of 16' / 20' awning center support. Different than 12' awning support seen below.

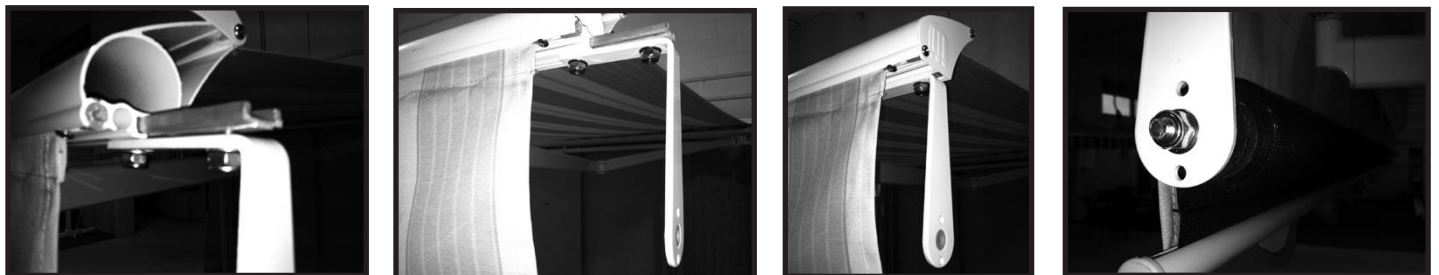
## STEP 1: ASSEMBLE OUTER BRACKETS - Duplicate crank side and idler side assembly



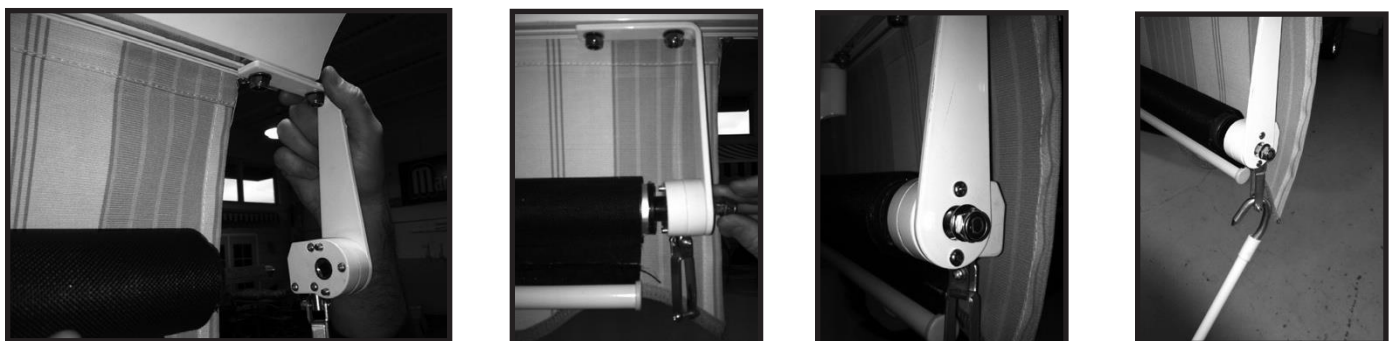
## STEP 2: CENTER ROLL SUPPORT - Install on the center of front valance bar



## STEP 3: INSTALLING OUTER BRACKETS - Remove end cap to expose track for bracket install



## STEP 3: INSTALL ROLL SCREEN - Insert idler side first





# Testing the Remote Control



DC1600A Awning Remote



- ← Out Button
- ← Stop Button
- ← In Button
- ← Light Button




P2 Button

## Pairing a new remote to motor (w/o Original Remote):

1. Apply power to unit
2. press the P2 button twice on back of remote
3. Press and hold the out (▲) button for right hand motor **or** the In (▼) button for left hand motor
4. Motor will confirm programming by sounding multiple beeps
5. Test awning movement by extending/retracting awning 1-2 feet in either direction. If the awning is moving in the wrong direction (retracting, when it should be extending), repeat steps 1-3 pressing the opposite arrow pressed during the initial programming

## Pairing additional remotes (w/ Original Remote):

1. Remove the back of the original and any additional remotes
2. On the Original remote, press P2 twice
3. On the new remote, press P2 once

4.  Test function and repeat as needed for additional remotes

## Using the lights button:

- Tap once for "ON - Dim"
- Tap again for "ON - Bright"
- Tap once more for "OFF"

**Motor Programming: Note: Timing is key with Dooya motors. If multiple motors, power and program ONLY one motor at a time. Each button is to be pressed in one second intervals. Pressing either too fast or too slowly will void the programming process.**

# Wind Sensor Installation



## Step 1



Slide the mounting plate up and remove.

## Step 2



Release the tab and remove control panel from housing.

## Step 3



Insert two (2) - AAA batteries into control panel.

## Step 4



Use a small flat screwdriver to turn the arrow to zero (0).

## Step 5



Press the "P2" button twice on the remote control.

## Step 6



Using a pencil, press the "mode" button once on the control panel.





# Limit Adjustment from Fabric Stretching

Because the fabric is under tension it will stretch over time and require the motor to be adjusted.

- To adjust the motor simply roll the awning in with the remote control.
- Once it stops adjust the **white** "inner" limit on the motor using a 4mm allen wrench rotating it towards the "+" sign.
- Do this until the valance bar is tucked neatly into the cassette. **Be sure not to over retract the awning as it will put undue stress on the motor and arms.**
- If you have retracted the valance bar too far, the motor may not shut off. YOU NEED TO LISTEN TO SEE IF MOTOR IS STILL RUNNING IF IT IS YOU WENT TOO FAR!
- Simply roll the awning out a couple of inches with the remote. Rotate the same white "inner" limit 4mm allen wrench towards the " – " sign and then roll the awning back in.



# Service Bulletin

## Valance Bar Pin

### **WARNING**

Pay special attention to this pin. Sometimes the pin will come loose during transportation and **MUST** be reinstalled before un- wrapping the awning on the job site. **FAILURE TO FOLLOW THESE INSTRUCTIONS COULD RESULT IN PERSONAL INJURY!**

