



SNAPTRACK INSTALLATION INSTRUCTIONS

Identify your SNAPTRACK by SCREENEZE® Components

SNAPTRACK Aluminum Base & Vinyl Cap

Base: 3/4" x 1/6"
Cap: 3/8" x 1/2"

INCLUDED SCREWS

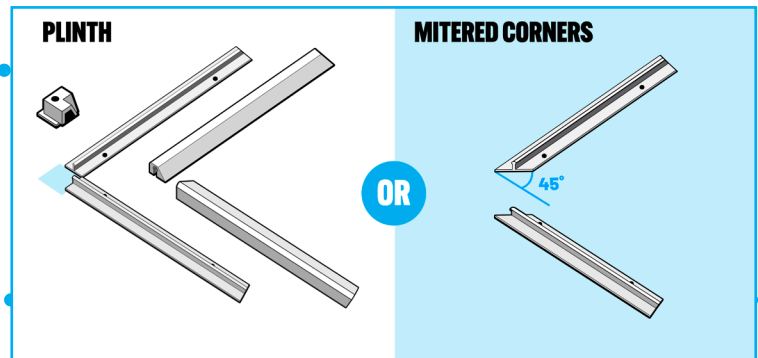
#6 1 1/4"
Phillips Stainless Steel

**PLINTH CORNER KIT
4 CORNERS + 4 SCREWS**

Allows You To Straight Cut Corners
(sold separately)

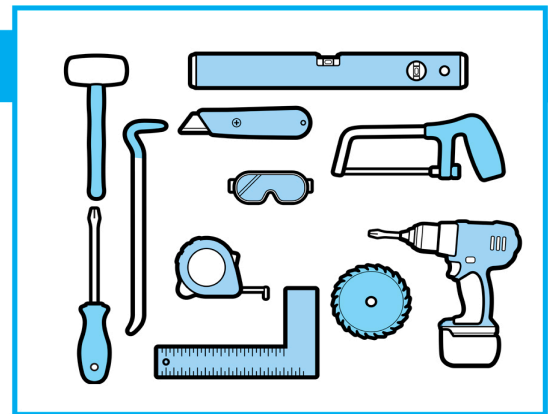
*optional

When installing SNAPTRACK by SCREENEZE®, you can miter the corners or use the Corner Plinth for Straight cuts



WHAT TOOLS ARE NEEDED?

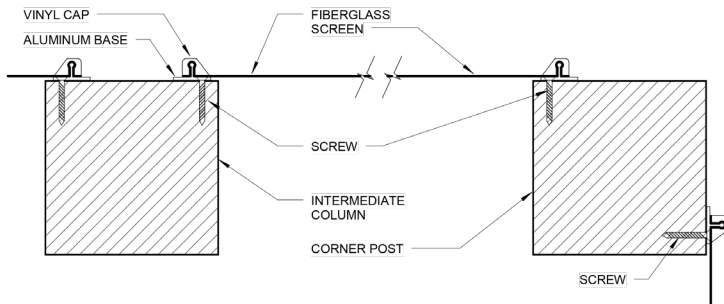
- Rubber Mallet
- Razor Knife
- 10" Miter Saw or Hacksaw
 - Level
 - Pry Bar
- Phillips Screw Driver
- Measuring Tape
- Framing Square
- Screw Gun w/ #2 Phillips Bit
- Eye Protection



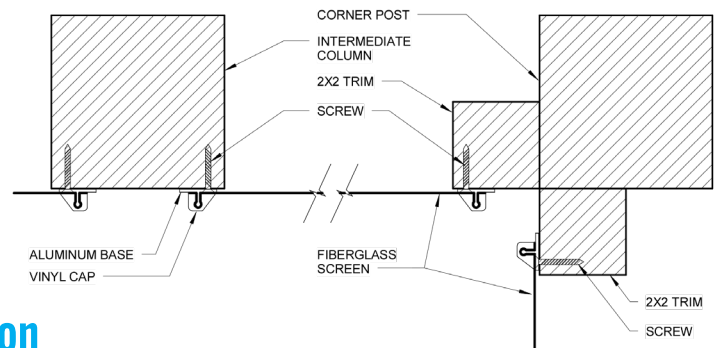


SNAPTRACK INSTALLATION INSTRUCTIONS

EXTERIOR FACE MOUNT



INTERIOR FACE MOUNT



SNAPTRACK by SCREENEZE® Installation

- 1 Determine if you are going to install SNAPTRACK on the exterior or interior face of your porch (see mounting details above)
- 2 Slide the Vinyl Cap onto the Aluminum Base to prepare for cutting. Place pencil marks at the corner point where you want to install SNAPTRACK and measure distance between points. We recommend holding SNAPTRACK about an 1/8" from the edge of the opening, however, you can install it anywhere on the face of the post.
- 3 After measuring, if utilizing the included Corner Plinth Kit, straight cut SNAPTRACK Aluminum Base and Vinyl Cap together based on your measurement - be sure the Vinyl Cap does not move on Aluminum Base while making cuts. We recommend the Plinth; however, you may choose to miter the corners. If you choose to miter the corners you will NOT make straight cuts.
- 4 After cutting slide the Vinyl Cap off of the Aluminum Base - keep pieces organized so you know what piece was paired together and cut for each specific opening and side.
- 5 Secure the Aluminum Base to the porch post with included screws. Pre-drill pilot holes to prevent edge splits at your screw centers.
- 6 Installing the screen; square the included screen fabric to the TOP of the panel and attach to the Aluminum Base by pressing or tapping the Vinyl Cap with your hand or rubber hammer to the corners first for about 3"



SNAPTRACK INSTALLATION INSTRUCTIONS

SNAPTRACK by SCREENEZE® Installation (Continued)

- 7 Once the Vinyl Cap is secured at the corners move to the center and again secure screen by pressing or tapping the Vinyl Cap with a rubber hammer. Next tap from the center out towards each corner. Double check that Vinyl Cap is secure and the screen fabric is still square
- 8 Install the Vinyl Cap on the BOTTOM of the opening in the same manner. Then proceed to sides and secure Vinyl Cap over screen fabric in the same manner
- 9 Using the outside edge of the Vinyl Cap, hold your razor knife at a perpendicular angle as a guide for trimming the screen. Trim the excess screen on all sides of your opening
- 10 After you trim the fabric, install the Corner Plinth Kit with the included screws

SNAPTRACK QUICK TIPS

- ★ Start with the smallest panel first and do one panel at a time
- ★ The beveled edge of the Vinyl Cap will ALWAYS face toward the screen opening and will cover the pre-drilled screw holes
- ★ Pencil identifying marks on the corresponding Vinyl Cap and its Aluminum Base so they are easily kept together and organize when completing installation
- ★ To cut SNAPTRACK use a 10" miter saw with a non-ferrous metal/plastic cutting blade. You may also use a hack saw with a fine-tooth metal cutting blade
- ★ If it's windy, place a thumbtack on each corner of the screen fabric to keep it in place and square
- ★ DO NOT STRETCH the screen fabric. SNAPTRACK will uniformly stretch the screen for you. Let the screen drape over the bottom channel and position the screen so there are no wrinkles left or right
- ★ Always install screen fabric on the top of opening first, then bottom, then sides
- ★ When installing in temperatures below 60°, make sure that the vinyl caps are warmed. We recommend using portable heat prior to installation. Cool temperatures can make the vinyl brittle causing it to split/crack during installation. This will occur at the ends so be sure to hand press the caps at the corner and take the previous stated precautions. Also, tap the cap close to a previously expanded point.
- ★ If you need to remove the Vinyl Caps to replace the screen fabric use a 5-in-1 tool, a miniature "Wonder Bar", or a small straight screwdriver. Be careful not to scar the Aluminum Base Channel or Vinyl Cap during this process. Be careful not to mix-up the pieces as they might be different lengths
- ★ If you choose not to use the optional corner plinth kits, you will need to miter the corners.



SNAPTRACK by SCREENEZE® Warranty

TERMS:

10 years from date of purchase

COVERAGE:

We warrant that SNAPTRACK by SCREENEZE® aluminum base and vinyl cap will perform as a fixed screen installation system. The SNAPTRACK aluminum base and vinyl cap only, will perform as intended for stretching and securing screen fabric in a vertical position on the walls of a traditional screen room

CONDITIONS:

Home Improvement Systems, Inc., manufacturers of SNAPTRACK by SCREENEZE®, will consider claims for manufacturing defects in the aluminum base and/or vinyl cap only. Home Improvement Systems Inc. will replace products with manufacturing defects at the company's discretion

EXCLUSIONS FROM COVERAGE:

- Labor to remove or install replaced material
- Screws*
- Screen fabric
- Defects due to ordinary wear and tear, abusive use, or lack of proper maintenance are excluded from coverage
- Defects caused by improper installation and/or misapplication of the product are excluded from coverage i.e. SNAPTRACK by SCREENEZE® installed as an awning or roof system regardless of the screen material attached
- Defects due to damage to vinyl caps when installed in temperatures below 60° (care should be taken to store material in a heated area prior to installation if temperatures are below 60°)
- Defects in the performance of the product due to failure or deterioration of the primary structure that SNAPTRACK by SCREENEZE® is attached to

CLAIMS PROCEDURE:

Send claims to:

support@screeeze.com

Include proof of purchase, photograph of defect, contact information, and a sample of the defective product. No claim can be considered without prior company approval

EFFECTIVE DATE:

August 2, 2021

SNAPTRACK by SCREENEZE® - US Patent No. 10,995,546
Plinth Mounting System - US Patent No. 9,518,423 | US Patent No. D756,536
Manufactured By: Home Improvement Systems, Inc
Cincinnati, OH

For More Information Visit:

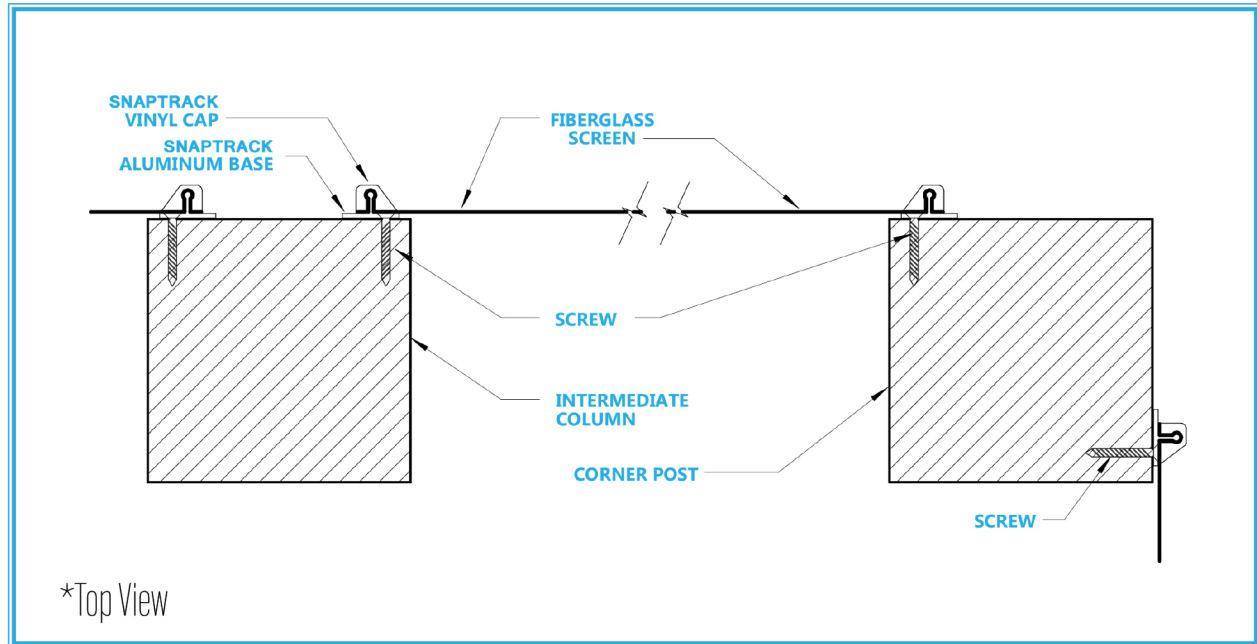
www.SCREENEZE.com





SNAPTRACK by SCREENEZE® MOUNTING OPTIONS

Exterior Face Mount Install



Interior Face Mount Install

