



LaGrange Design  
Lagrangedesign.com  
dillon@lagrangedesign.com

Client: N/A

address: N/A

Verne Dining Table  
Plans & Elevations

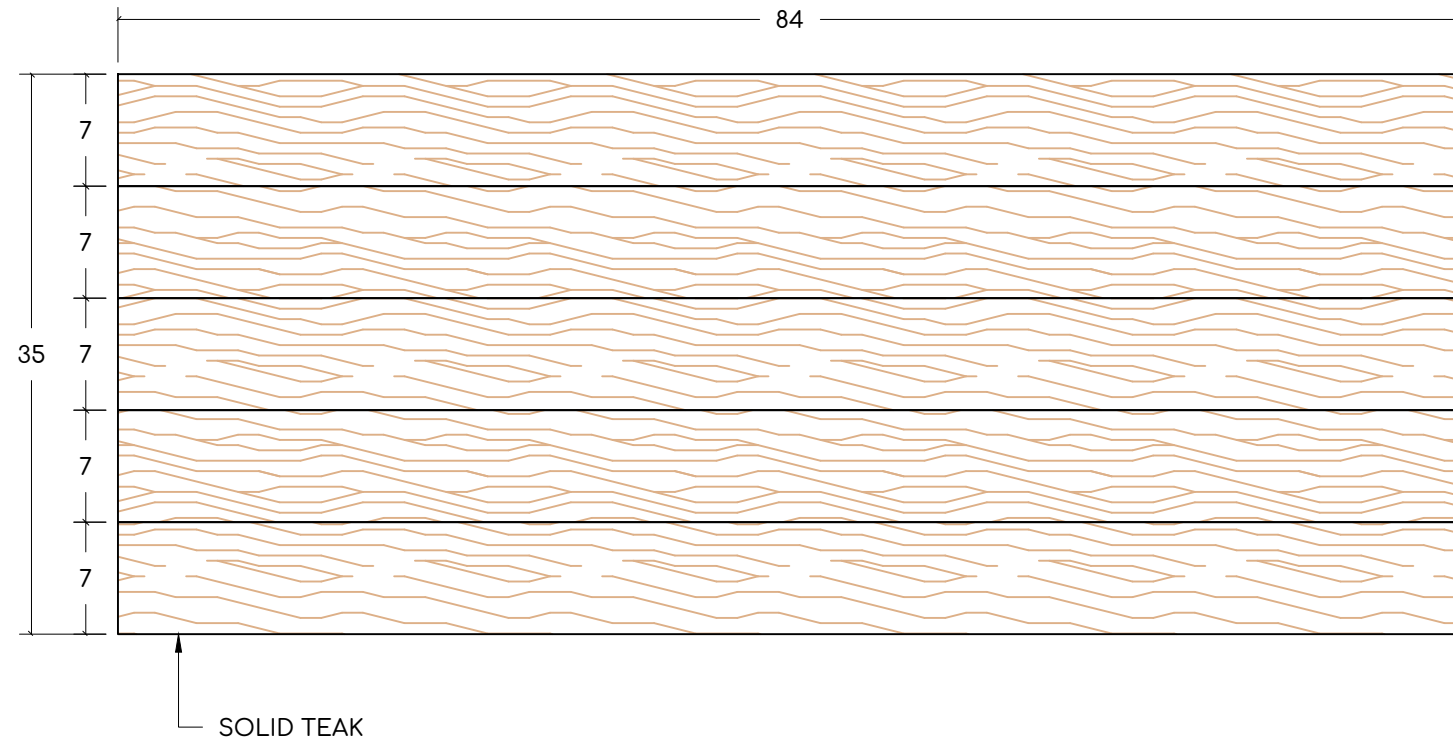
Drafter: DL  
notes:

1st submittal   
revision 1   
revision 2   
revision 3

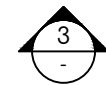
[3D viewer link](#)

1 of 2

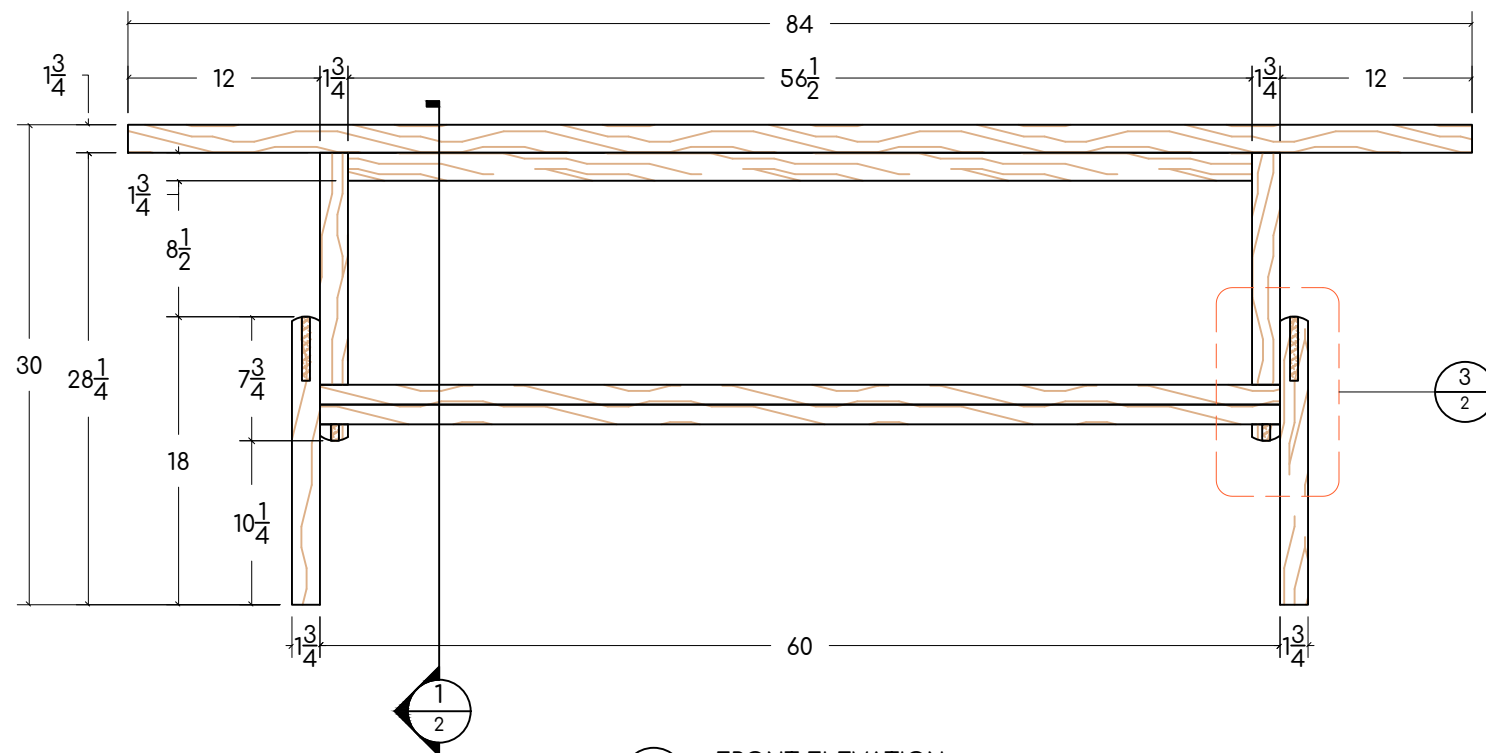
Visual reference only. Not for fabrication.



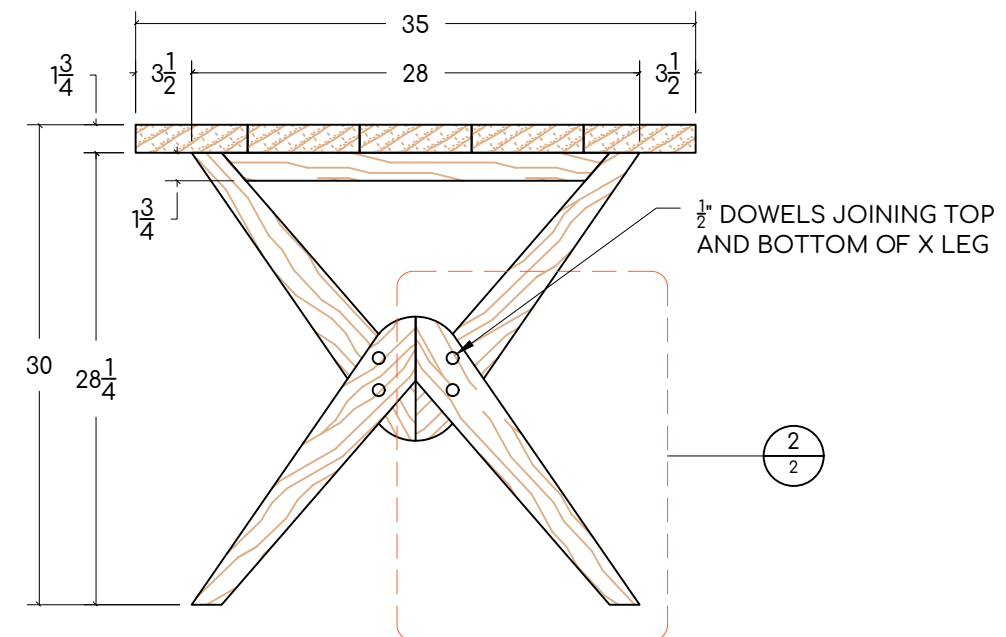
1 PLAN  
Scale: 1"=1'-0"



2 PERSPECTIVE  
Scale: N/A



3 FRONT ELEVATION  
Scale: 1"=1'-0"



4 SIDE ELEVATION  
Scale: 1"=1'-0"



LaGrange Design  
Lagrangedesign.com  
dillon@lagrangedesign.com

Client: N/A

address: N/A

Verne Dining Table  
Details

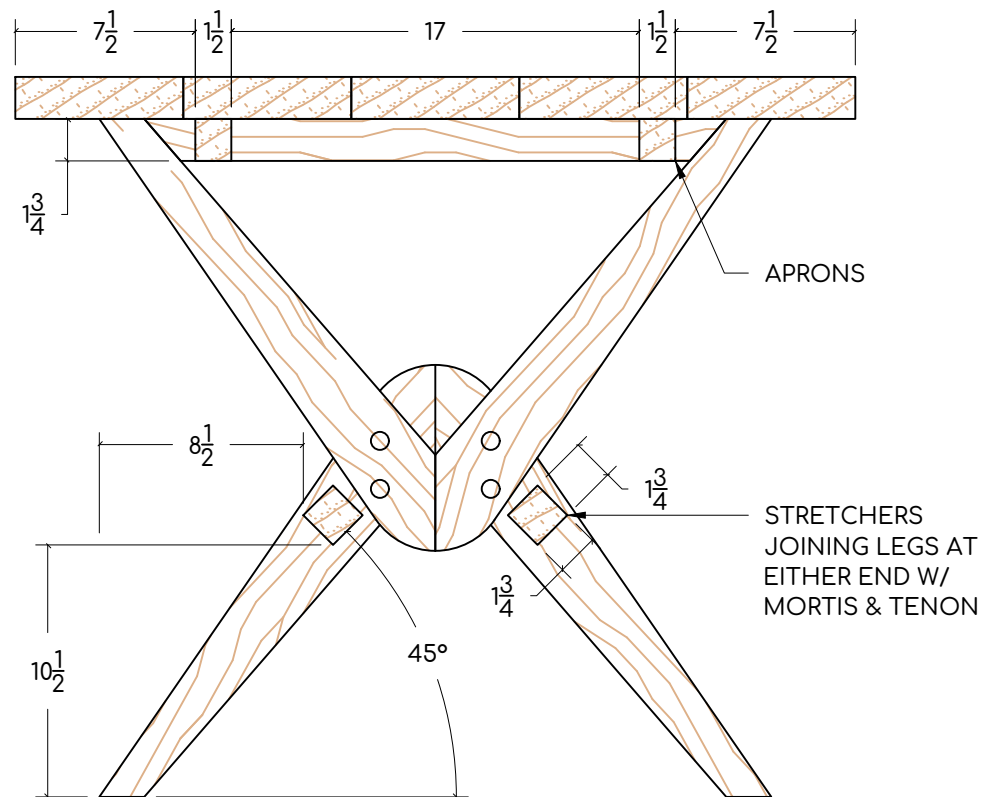
Drafter: DL  
notes:

1st submittal \_/\_/\_  
revision 1 \_/\_/\_  
revision 2 \_/\_/\_  
revision 3 \_/\_/\_

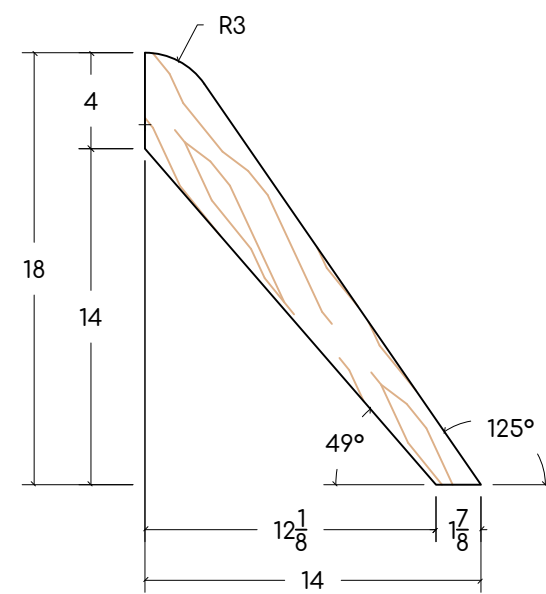
[3D viewer link](#)

2 of 2

Visual reference only. Not for fabrication.

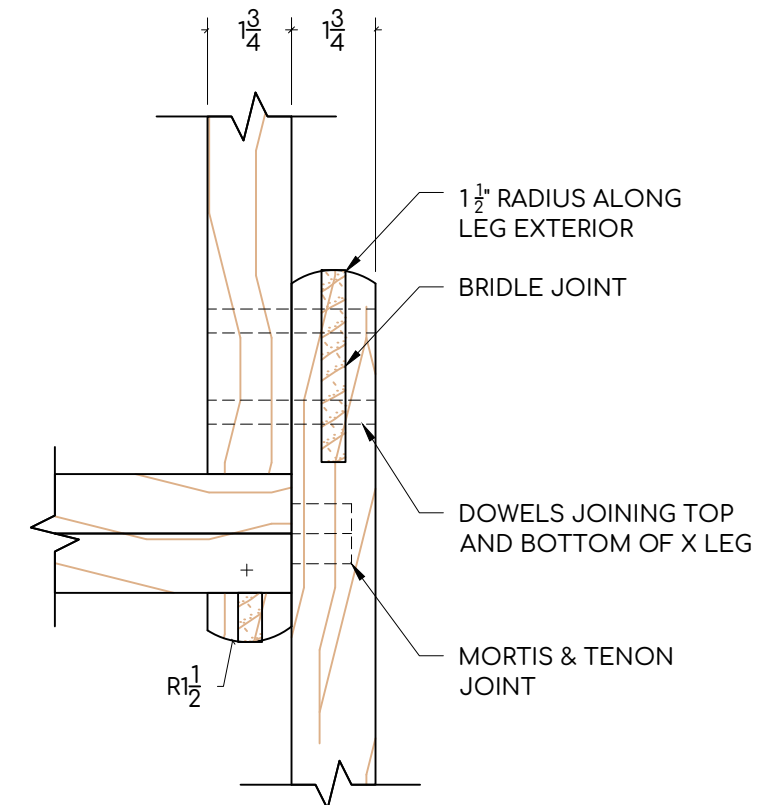


1 SECTION  
Scale: 1 1/2"=1'-0"



QUANTITY PER TABLE: 8

2 LEG DETAIL  
Scale: 1 1/2"=1'-0"



3 BASE DETAIL  
Scale: 3"=1'-0"