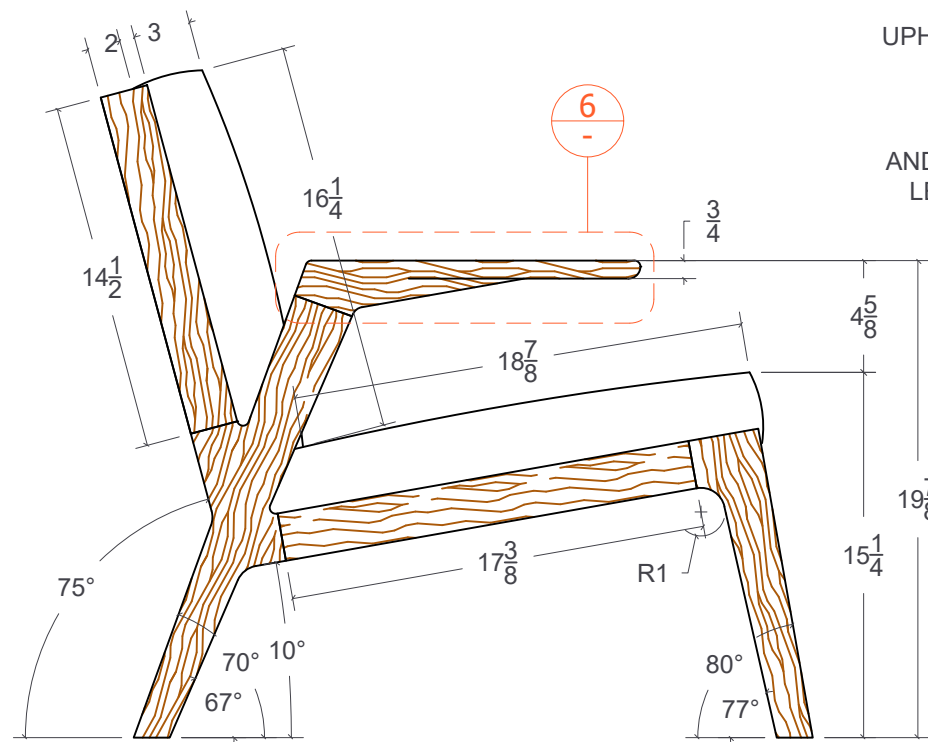
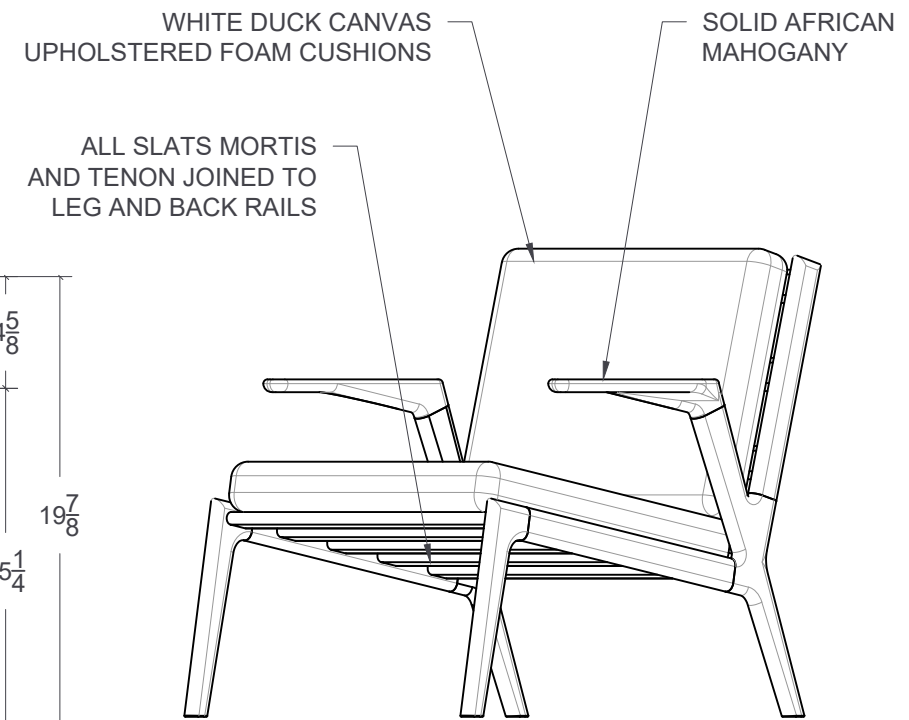


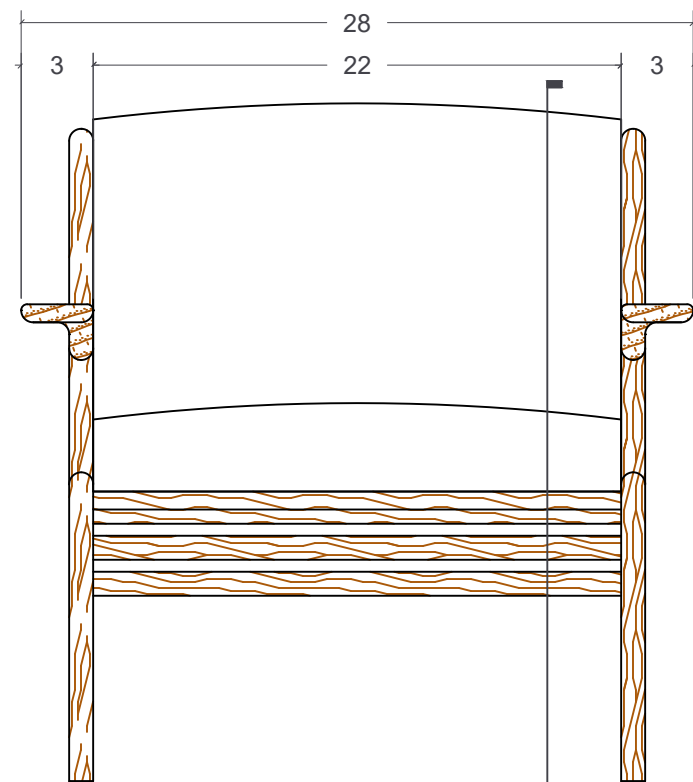
1 PLAN
SCALE: 1-1/2"=1'-0"



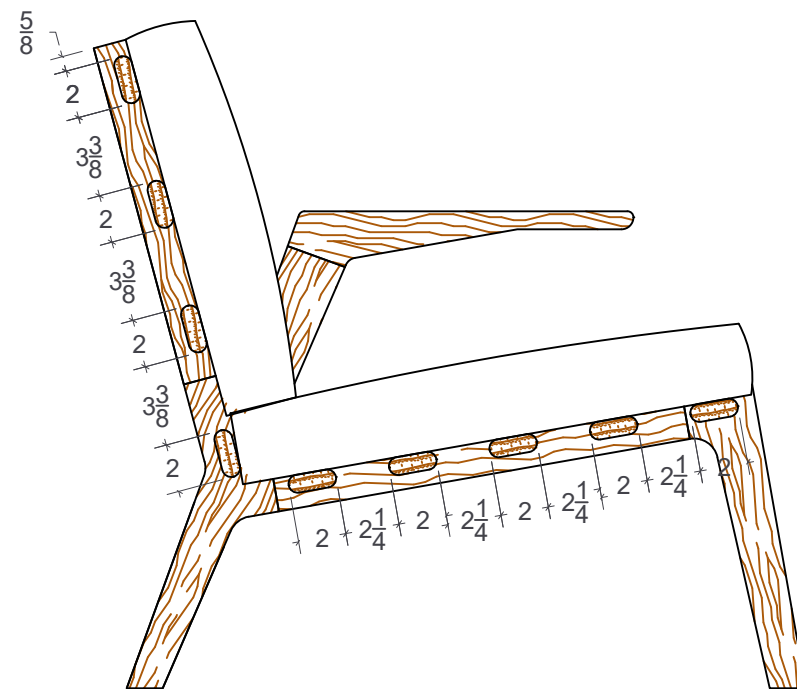
2 ELEVATION
SCALE: 1-1/2"=1'-0"



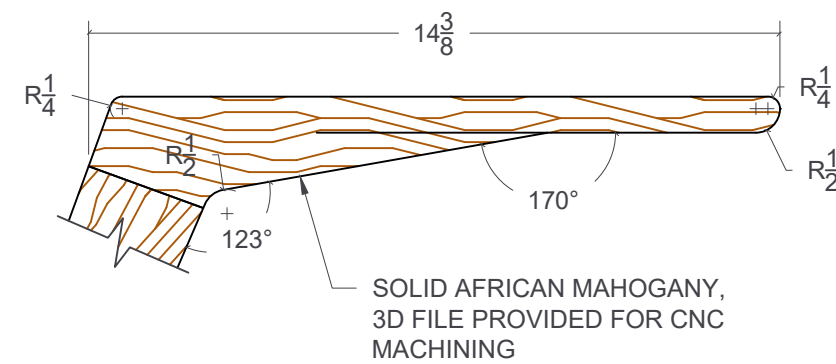
3 PERSPECTIVE
SCALE: N/A



4 ELEVATION
SCALE: 1-1/2"=1'-0"



5 SECTION
SCALE: 1-1/2"=1'-0"



6 DETAIL
SCALE: 1-1/2"=1'-0"



LaGrange Design
Lagrangedesign.com
dillon@lagrangedesign.com

Client: LD Original

address: N/A

ICA#01
LaGrange Design
Cream Lounge Chair

Drafter: DL
notes:

1st submittal
revision 1
revision 2
revision 3

[3D viewer link](#)

1 of 1