



4060 Ridgeway Drive, Unit 7  
Mississauga, ON L5L 5X9

[www.bes.show](http://www.bes.show)  
[info@bes.show](mailto:info@bes.show)  
1.833.bes.show

# LONDON FARM SHOW

March 6-8, 2024



welcome

## **Welcome to LONDON FARM SHOW!**

Bes Inc (Boneyard Event Services inc.) is pleased to have been appointed as the official General Service Contractor.

As your partner in exhibiting, it is our job to make you look good. Our goal to make every show hassle-free and enjoyable for you, the exhibitor.

Below, please find our products and services which are available for your event:

- **Advance & Post-Show Warehousing**
- **Exhibit Labour**
- **System Booth Packages**
- **Carpets & Cleaning**
- **Tables & Drape**
- **Seating**
- **Counters, Plinths & Showcases**
- **Signage**
- **Transportation Services**

We look forward to being “Your Partner in Exhibiting”.

## **PAYMENT OPTIONS**

For your convenience we accept:

- **Cheques - MUST arrive at least one week prior to Move-In**
- **VISA, MasterCard or AMEX**
- **Interac e-transfers to [accounting@bes.show](mailto:accounting@bes.show) (please put show, company name, and booth number in message box)**
- **Wire Transfer - contact our office for banking details**

If you have any questions, please call our office at (833) BES SHOW (237-7469).




show: **LONDON FARM SHOW**  
 discount price deadline: **FEBRUARY 16, 2024**

exhibitor information	
booth #:	company:
street:	
city:	prov/state: postal code:
phone #:	fax #:
email address: NEEDED FOR RECEIPT	
contact name:	

credit card authorization	
card type: <input type="checkbox"/> VISA <input type="checkbox"/> MASTERCARD <input type="checkbox"/> AMEX	
card #:	
expiry date:	cvv:
cardholder name:	
cardholder signature:	
<input type="checkbox"/> cheque attached (payable to BES Inc.)	

**ALL ORDERS MUST BE PREPAID IN FULL.**  
 Orders cannot be delivered until payment is received

**PAYMENT/CANCELLATION POLICY** – Charges are for rental of items only. All items remain the property of BES, unless noted. All orders received after the stated deadline date, will be processed at the show price. Exhibitor is responsible for the care of all items for the duration of the event. Any discrepancies must be settled before show closing. Note that preparations for shows and events take place well ahead of time of delivery, hence, orders cancelled up to 7 days prior to show opening may be eligible for a 50% refund. Orders cancelled less than 7 days before opening may be eligible for up to a 25% refund depending on the nature of the order and the work performed. No refunds on equipment once it has been delivered to the booth.

RATES						
Shipments are accepted in the warehouse Monday to Friday between 8:00 a.m. and 4:00 p.m.	SHIPMENTS RECEIVED ON OR BEFORE DEADLINE DATE			SHIPMENTS RECEIVED AFTER DEADLINE DATE		
	PRICE PER CWT					
	CRATED	UNCRATED	SPECIAL HANDLING	CRATED	UNCRATED	SPECIAL HANDLING
	\$50.00	\$80.00	\$95.00	\$65.00	\$95.00	\$105.00
<b>MINIMUM CHARGE</b>	The minimum charge applies to each shipment received.					<b>\$160.00</b>

shipments are accepted from: **FEBRUARY 5, 2024**  
 no shipments accepted in advance warehouse on or after: **FEBRUARY 29, 2024**

ADVANCE WAREHOUSING (when recording weight, round down to the nearest 100 lbs or minimum charge)		POST-SHOW WAREHOUSING (when recording weight, round down to the nearest 100 lbs or minimum charge)	
CRATED/UNSKIDDED SHIPMENT			
$\frac{\text{WEIGHT (LBS)}}{100} = \text{CWT}$ $= \frac{\text{CWT}}{\text{CWT}} \times \text{Rate}$ $= \text{ESTIMATED TOTAL}$	$\frac{\text{WEIGHT (LBS)}}{100} = \text{CWT}$ $= \frac{\text{CWT}}{\text{CWT}} \times \text{Rate}$ $= \text{ESTIMATED TOTAL}$	$\frac{\text{WEIGHT (LBS)}}{100} = \text{CWT}$ $= \frac{\text{CWT}}{\text{CWT}} \times \text{Rate}$ $= \text{ESTIMATED TOTAL}$	$\frac{\text{WEIGHT (LBS)}}{100} = \text{CWT}$ $= \frac{\text{CWT}}{\text{CWT}} \times \text{Rate}$ $= \text{ESTIMATED TOTAL}$
CRATED/UNSKIDDED SHIPMENT			
$\frac{\text{WEIGHT (LBS)}}{100} = \text{CWT}$ $= \frac{\text{CWT}}{\text{CWT}} \times \text{Rate}$ $= \text{ESTIMATED TOTAL}$	$\frac{\text{WEIGHT (LBS)}}{100} = \text{CWT}$ $= \frac{\text{CWT}}{\text{CWT}} \times \text{Rate}$ $= \text{ESTIMATED TOTAL}$	$\frac{\text{WEIGHT (LBS)}}{100} = \text{CWT}$ $= \frac{\text{CWT}}{\text{CWT}} \times \text{Rate}$ $= \text{ESTIMATED TOTAL}$	$\frac{\text{WEIGHT (LBS)}}{100} = \text{CWT}$ $= \frac{\text{CWT}}{\text{CWT}} \times \text{Rate}$ $= \text{ESTIMATED TOTAL}$

All shipments will be weighed upon receiving for verification.

4 advance/post-show warehousing

# LONDON FARM SHOW

**FROM**

---

---

---

**TO**

**Boneyard Event Services**  
7-4060 Ridgeway Drive  
Mississauga ON L5L 5X9



**# OF PIECES**

\_\_\_\_\_ **OF** \_\_\_\_\_

**ADVANCE WAREHOUSE**

# LONDON FARM SHOW

**FROM**

---

---

---

**TO**

**Boneyard Event Services**  
7-4060 Ridgeway Drive  
Mississauga ON L5L 5X9



**# OF PIECES**

\_\_\_\_\_ **OF** \_\_\_\_\_

**ADVANCE WAREHOUSE**

# LONDON FARM SHOW

**FROM**

---

---

---

**TO**

**Boneyard Event Services**  
7-4060 Ridgeway Drive  
Mississauga ON L5L 5X9



**# OF PIECES**

\_\_\_\_\_ **OF** \_\_\_\_\_

**ADVANCE WAREHOUSE**

# LONDON FARM SHOW

**FROM**

---

---

---

**TO**

**Boneyard Event Services**  
7-4060 Ridgeway Drive  
Mississauga ON L5L 5X9



**# OF PIECES**

\_\_\_\_\_ **OF** \_\_\_\_\_

**ADVANCE WAREHOUSE**

show: **LONDON FARM SHOW**  
 discount price deadline: **FEBRUARY 16, 2024**

exhibitor information	
booth #:	company:
street:	
city:	prov/state: postal code:
phone #:	fax #:
email address: NEEDED FOR RECEIPT	
contact name:	

credit card authorization	
card type: <input type="checkbox"/> VISA <input type="checkbox"/> MASTERCARD <input type="checkbox"/> AMEX	
card #:	
expiry date:	cvv:
cardholder name:	
cardholder signature:	
<input type="checkbox"/> cheque attached (payable to BES Inc.)	

**LABOUR REQUESTS REQUIRE A CREDIT CARD ON FILE TO PROCESS LABOUR TIME POST SHOW.**  
 Orders cannot be delivered until credit card information is received

RATES			
REGULAR TIME	Mon - Sun	All Hours	\$ 80.00/hour/man
We do not charge overtime rates. Event work happens outside regular hours. We get that.			

- Labour rates are charged per labourer per hour in half hour increments.
- A minimum charge of one hour per labourer.
- BES INC. supervision rate, add 25% to the total labour cost.

INSTALLATION LABOUR	DISMANTLE LABOUR
**Exhibitor must report to BES INC. Service Desk to receive labour**	**Exhibitor must report to BES INC. Service Desk to receive labour**

Date Required \_\_\_\_\_  AM  
 Start Time Required \_\_\_\_\_  PM

# of people required X Hours per person  
 = \_\_\_\_\_ X \_\_\_\_\_  
 Total Hours Rate  
 = \_\_\_\_\_  
**TOTAL**

Date Required \_\_\_\_\_  AM  
 Start Time Required \_\_\_\_\_  PM

# of people required X Hours per person  
 = \_\_\_\_\_ X \_\_\_\_\_  
 Total Hours Rate  
 = \_\_\_\_\_  
**TOTAL**

**SUPERVISION** (NOTE: If Exhibitor is supervising labour, the Exhibitor must check labour in and out at the BES INC. Service Desk)

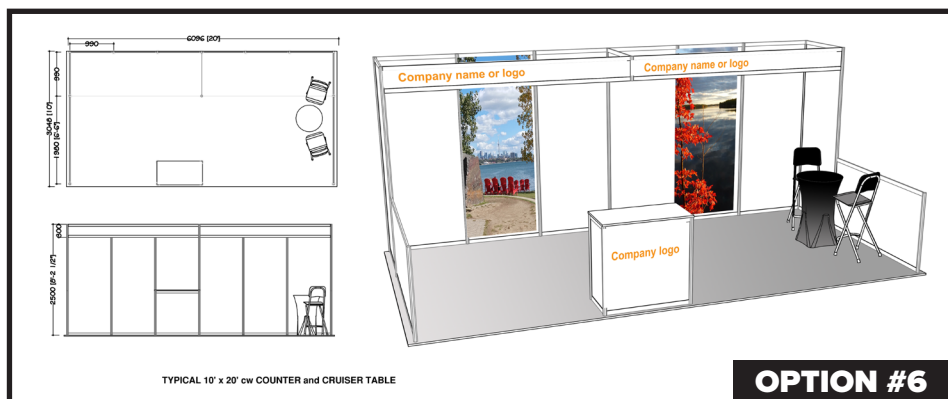
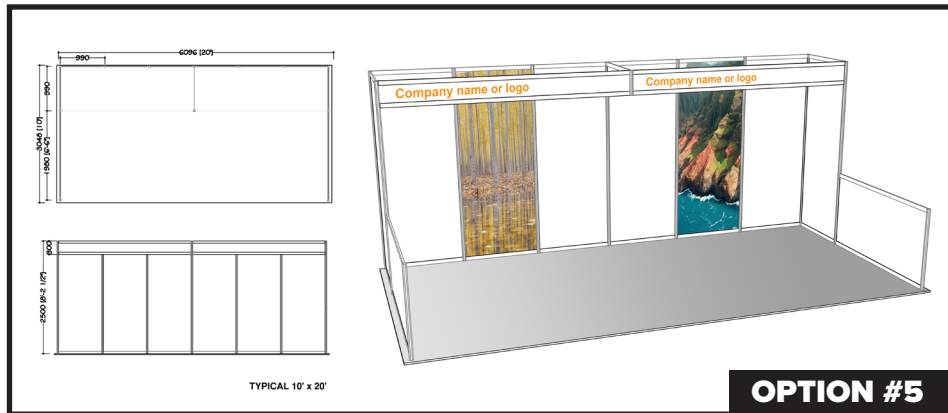
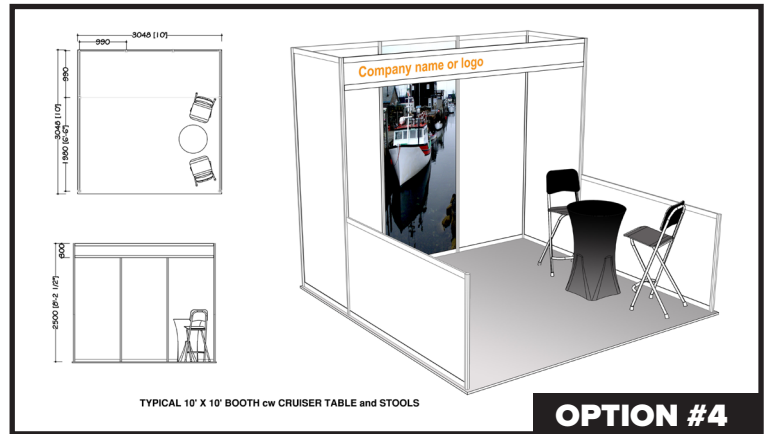
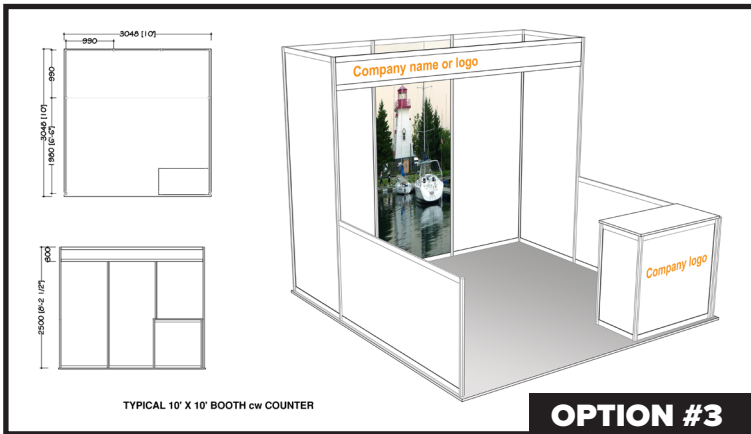
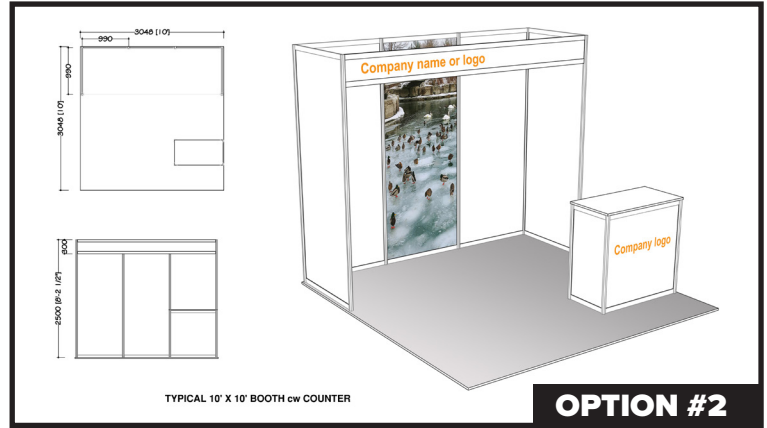
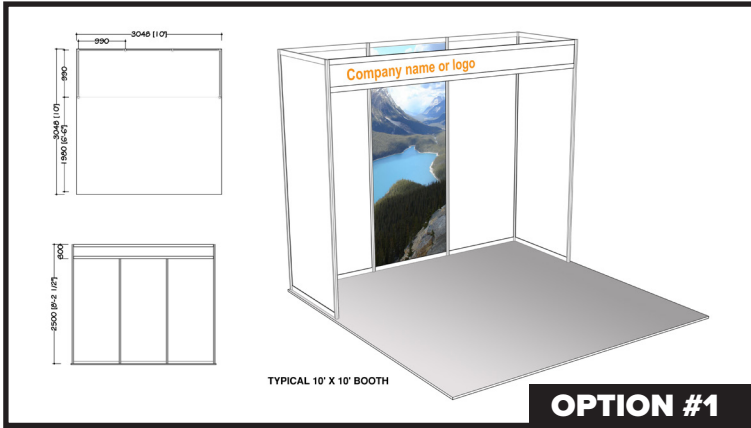
<input type="checkbox"/> Exhibitor Supervised <small>*Exhibitor must be present to supervise</small> Exhibitor Contact Name _____ \$ _____ Add 25%	<input type="checkbox"/> BES INC. Supervised <small>*Exhibitor does not need be present</small> Exhibitor Contact Name _____ \$ _____ Add 25%
--	---

DELIVERY INFORMATION	
Carrier _____ <input type="checkbox"/> AM <input type="checkbox"/> PM	Carrier _____ <input type="checkbox"/> AM <input type="checkbox"/> PM
Delivery Date _____ Delivery Time _____	Delivery Date _____ Delivery Time _____

EXHIBIT INFORMATION	
Set-up drawings/photos required:	<input type="checkbox"/> YES <input type="checkbox"/> NO
Set-up drawings/photos attached:	<input type="checkbox"/> YES <input type="checkbox"/> NO

<b>SUBTOTAL</b>	
<b>13% HST</b>	
<b>TOTAL</b>	





7 system booth packages

**\*\* ELECTRICAL, LIGHTING AND FULL HEIGHT GRAPHICS ARE NOT INCLUDED \*\***





**OPTION #1**



**OPTION #2**



**OPTION #3**



**OPTION #4**



**OPTION #5**



**OPTION #6**

*\*\*These are samples of our capabilities. If you are interested in a custom exhibit or custom exhibit components, please contact us at 833.237.7469 ext. 701 to discuss your individual needs. \*\**

**custom exhibit samples**



show: **LONDON FARM SHOW**  
 discount price deadline: **FEBRUARY 16, 2024**

exhibitor information	
booth #:	company:
street:	
city:	prov/state: postal code:
phone #:	fax #:
email address: NEEDED FOR RECEIPT	
contact name:	

credit card authorization	
card type: <input type="checkbox"/> VISA <input type="checkbox"/> MASTERCARD <input type="checkbox"/> AMEX	
card #:	
expiry date:	cvv:
cardholder name:	
cardholder signature:	
<input type="checkbox"/> cheque attached (payable to BES Inc.)	

**ALL ORDERS MUST BE PREPAID IN FULL.**  
 Orders cannot be delivered until payment is received

**PAYMENT/CANCELLATION POLICY** – Charges are for rental of items only. All items remain the property of BES, unless noted. All orders received after the stated deadline date, will be processed at the show price. Exhibitor is responsible for the care of all items for the duration of the event. Any discrepancies must be settled before show closing. Note that preparations for shows and events take place well ahead of time of delivery, hence, orders cancelled up to 7 days prior to show opening may be eligible for a 50% refund. Orders cancelled less than 7 days before opening may be eligible for up to a 25% refund depending on the nature of the order and the work performed. No refunds on equipment once it has been delivered to the booth.

**ALL PACKAGES INCLUDE**

Installation & Dismantling • Choice of Panel Colour • Choice of Carpet Colour • Company Identification Sign

**EXHIBIT PACKAGES** (Electrical, lighting & graphic panel requirements are **NOT** included)

QTY	DESCRIPTION	DISCOUNT PRICE	SHOW PRICE	TOTAL
	OPTION #1 – 10'x10'	\$ 800.00	\$ 1,200.00	\$
	OPTION #2 – 10'x10'	\$ 1,385.00	\$ 1,800.00	\$
	OPTION #3 – 10'x10'	\$ 1,385.00	\$ 1,800.00	\$
	OPTION #4 – 10'x10'	\$ 1,605.00	\$ 2,400.00	\$
	OPTION #5 – 10'x20'	\$ 2,100.00	\$ 2,750.00	\$
	OPTION #6 – 10'x20'	\$ 2,770.00	\$ 3,740.00	\$

**PLEASE COMPLETE THE FOLLOWING:**

**CARPET COLOUR**

Red  Blue  Grey  Black

**PANEL COLOUR**

White  Black

**ADD GRAPHICS TO CUSTOMIZE YOUR BOOTH!**

QTY	DESCRIPTION	DISCOUNT PRICE	SHOW PRICE	TOTAL
	Add company logo to ID sign	\$ 75.00	\$ 120.00	\$
	Full height graphic panel	\$ 345.00	\$ 520.00	\$
	Sidewall low rail panel graphic	\$ 170.00	\$ 250.00	\$
	Counter Graphics - Front	\$ 120.00	\$ 180.00	\$

\* Graphic prices are based on print ready files. A BES INC. representative will contact you with file submission details.  
 \* Design services can be quoted if required.

**IDENTIFICATION SIGN TO READ:**

\_\_\_\_\_

\_\_\_\_\_

\_\_\_\_\_

\_\_\_\_\_

<b>SUBTOTAL</b>	
<b>13% HST</b>	
<b>TOTAL</b>	

show: **LONDON FARM SHOW**  
 discount price deadline: **FEBRUARY 16, 2024**

**exhibitor information**

booth #:	company:	
street:		
city:	prov/state:	postal code:
phone #:	fax #:	
email address: NEEDED FOR RECEIPT		
contact name:		

**credit card authorization**

card type:	<input type="checkbox"/> VISA	<input type="checkbox"/> MASTERCARD	<input type="checkbox"/> AMEX
card #:			
expiry date:	cvv:		
cardholder name:			
cardholder signature:			
<input type="checkbox"/> cheque attached (payable to BES Inc.)			

**ALL ORDERS MUST BE PREPAID IN FULL.**  
 Orders cannot be delivered until payment is received

**PAYMENT/CANCELLATION POLICY** – Charges are for rental of items only. All items remain the property of BES, unless noted. All orders received after the stated deadline date, will be processed at the show price. Exhibitor is responsible for the care of all items for the duration of the event. Any discrepancies must be settled before show closing. Note that preparations for shows and events take place well ahead of time of delivery, hence, orders cancelled up to 7 days prior to show opening may be eligible for a 50% refund. Orders cancelled less than 7 days before opening may be eligible for up to a 25% refund depending on the nature of the order and the work performed. No refunds on equipment once it has been delivered to the booth.

**CARPETS**

QTY.	DESCRIPTION	DISCOUNT PRICE	SHOW PRICE	TOTAL
	_____ ft x _____ ft <b>STANDARD CARPET</b>	\$ 1.70 / sq. ft.	\$ 2.35 / sq. ft.	\$
SELECT COLOUR: <input type="checkbox"/> Red <input type="checkbox"/> Blue <input type="checkbox"/> Grey <input type="checkbox"/> Black <input type="checkbox"/> Green				
	_____ ft x _____ ft <b>PREMIUM CARPET</b>	\$ 2.20 / sq. ft.	\$ 3.20 / sq. ft.	\$
SELECT COLOUR: <input type="checkbox"/> Red <input type="checkbox"/> Blue <input type="checkbox"/> Grey <input type="checkbox"/> Black <input type="checkbox"/> Green				
	Specialty Carpet - additional colours possible if ordered earlier	<b>CALL FOR QUOTE</b>		
	Underpadding	\$ 0.90 / sq. ft.	\$ 1.30 / sq. ft.	\$
	Plastic Covering	\$ 0.60 / sq. ft.	\$ 0.80 / sq. ft.	\$

**CLEANING**

QTY.	DESCRIPTION	DISCOUNT PRICE	SHOW PRICE	TOTAL
	Carpet Vacuuming	\$ 0.35 / sq. ft.	\$ 0.50 / sq. ft.	\$

<b>SUBTOTAL</b>	
<b>13% HST</b>	
<b>TOTAL</b>	

show: **LONDON FARM SHOW**  
 discount price deadline: **FEBRUARY 16, 2024**

exhibitor information		credit card authorization	
booth #:	company:	card type: <input type="checkbox"/> VISA <input type="checkbox"/> MASTERCARD <input type="checkbox"/> AMEX	
street:		card #:	
city:	prov/state:	postal code:	expiry date:
phone #:	fax #:		cvv:
email address: NEEDED FOR RECEIPT		cardholder name:	
contact name:		cardholder signature:	
		<input type="checkbox"/> cheque attached (payable to BES Inc.)	

**ALL ORDERS MUST BE PREPAID IN FULL.**  
 Orders cannot be delivered until payment is received

**PAYMENT/CANCELLATION POLICY** – Charges are for rental of items only. All items remain the property of BES, unless noted. All orders received after the stated deadline date, will be processed at the show price. Exhibitor is responsible for the care of all items for the duration of the event. Any discrepancies must be settled before show closing. Note that preparations for shows and events take place well ahead of time of delivery, hence, orders cancelled up to 7 days prior to show opening may be eligible for a 50% refund. Orders cancelled less than 7 days before opening may be eligible for up to a 25% refund depending on the nature of the order and the work performed. No refunds on equipment once it has been delivered to the booth.

**SKIRTED TABLES – 30” HIGH** \*skirted tables include white vinyl top & pleated skirt on three sides. Fourth side can be skirted as an addition.

QTY	DESCRIPTION	DISCOUNT PRICE	SHOW PRICE	TOTAL
	4'L x 24"W x30"H	\$ 71.00	\$ 89.00	\$
	6'L x 24"W x30"H	\$ 89.00	\$ 99.00	\$
	8'L x 24"W x30"H	\$ 99.00	\$ 110.00	\$
	4th Side Skirted	\$ 30.00	\$ 39.00	\$

SELECT COLOUR:  Red  Blue  Black  Green  Burgundy  White

**SKIRTED TABLES – 42” HIGH** \*skirted tables include white vinyl top & pleated skirt on three sides. Fourth side can be skirted as an addition.

	4'L x 24"W x42"H	\$ 79.00	\$ 94.00	\$
	6'L x 24"W x42"H	\$ 103.00	\$ 122.00	\$
	8'L x 24"W x42"H	\$ 115.00	\$ 140.00	\$
	4th Side Skirted	\$ 40.00	\$ 49.00	\$

SELECT COLOUR:  Red  Blue  Black  Green  Burgundy  White

**BARE TABLES – 30” HIGH** \*bare tables include white vinyl top.

	4'L x 24"W x30"H	\$ 46.00	\$ 62.00	\$
	6'L x 24"W x30"H	\$ 55.00	\$ 72.00	\$
	8'L x 24"W x30"H	\$ 70.00	\$ 90.00	\$

**BARE TABLES – 42” HIGH** \*bare tables include white vinyl top.

	4'L x 24"W x42"H	\$ 56.00	\$ 75.00	\$
	6'L x 24"W x42"H	\$ 68.00	\$ 87.00	\$
	8'L x 24"W x42"H	\$ 82.00	\$ 98.00	\$

**DRAPE**

QTY	DESCRIPTION	DISCOUNT PRICE	SHOW PRICE	TOTAL
	3' High	\$ 4.00 /Linear Foot	\$ 6.00 /Linear Foot	\$
	8' High	\$ 6.00 /Linear Foot	\$ 8.00 /Linear Foot	\$
	12' High	\$ 10.00 /Linear Foot	\$ 13.00 /Linear Foot	\$

SELECT COLOUR:  Red  Blue  Gold  Black  Green  White

<b>SUBTOTAL</b>	
<b>13% HST</b>	
<b>TOTAL</b>	

**11 skirted tables & drape**



**cruiser tables**



Bare  
30" D x 42" H



with spandex cover  
30" D x 42" H



24" D x 42" H

**café tables**



Bare  
30" D x 30" H



with spandex cover  
White or Black  
30" D x 30" H



48" D x 30" H

**coffee & end tables**



Black Top  
24" x 48"



Chrome & Glass  
24" x 48"



Chrome & Glass  
24" x 24"



White, basic  
24" x 48"

show: **LONDON FARM SHOW**  
 discount price deadline: **FEBRUARY 16, 2024**

exhibitor information	
booth #:	company:
street:	
city:	prov/state: postal code:
phone #:	fax #:
email address: NEEDED FOR RECEIPT	
contact name:	

credit card authorization	
card type: <input type="checkbox"/> VISA <input type="checkbox"/> MASTERCARD <input type="checkbox"/> AMEX	
card #:	
expiry date:	cvv:
cardholder name:	
cardholder signature:	
<input type="checkbox"/> cheque attached (payable to BES Inc.)	

**ALL ORDERS MUST BE PREPAID IN FULL.**  
 Orders cannot be delivered until payment is received

**PAYMENT/CANCELLATION POLICY** – Charges are for rental of items only. All items remain the property of BES, unless noted. All orders received after the stated deadline date, will be processed at the show price. Exhibitor is responsible for the care of all items for the duration of the event. Any discrepancies must be settled before show closing. Note that preparations for shows and events take place well ahead of time of delivery, hence, orders cancelled up to 7 days prior to show opening may be eligible for a 50% refund. Orders cancelled less than 7 days before opening may be eligible for up to a 25% refund depending on the nature of the order and the work performed. No refunds on equipment once it has been delivered to the booth.

**CRUISER TABLES**

QTY	DESCRIPTION	DISCOUNT PRICE	SHOW PRICE	TOTAL
	Cruiser Table, bare – 30" D	\$ 85.00	\$ 120.00	\$
	30" Cruiser Table with Spandex Cover <input type="checkbox"/> White <input type="checkbox"/> Black <input type="checkbox"/> Navy <input type="checkbox"/> Green <input type="checkbox"/> Orange <input type="checkbox"/> Red	\$ 105.00	\$ 147.00	\$
	Brushed Aluminum Cruiser Table	\$ 120.00	\$ 148.00	\$

**CAFE & MEETING TABLES**

QTY	DESCRIPTION	DISCOUNT PRICE	SHOW PRICE	TOTAL
	Cafe Table – Bare	\$ 70.00	\$ 105.00	\$
	Cafe Table with Spandex Cover <input type="checkbox"/> White <input type="checkbox"/> Black	\$ 90.00	\$ 135.00	\$
	Meeting Table	\$ 130.00	\$ 192.00	\$

**COFFEE & END TABLES**

	Chrome & Glass Coffee Table – 24" x 48"	\$ 110.00	\$ 160.00	\$
	Chrome & Glass End Table – 24" x 24"	\$ 90.00	\$ 135.00	\$
	Coffee Table, black top	\$ 110.00	\$ 160.00	\$
	White Coffee Table, basic	\$ 60.00	\$ 75.00	\$

<b>SUBTOTAL</b>	
<b>13% HST</b>	
<b>TOTAL</b>	

## chairs



Black fabric



Black fabric



Black



Black

## stools



White, Black



Black



Black, White

## barcelona line



Black, White



Black, White



Black, White



show: **LONDON FARM SHOW**  
 discount price deadline: **FEBRUARY 16, 2024**

exhibitor information	
booth #:	company:
street:	
city:	prov/state: postal code:
phone #:	fax #:
email address: NEEDED FOR RECEIPT	
contact name:	

credit card authorization	
card type:	<input type="checkbox"/> VISA <input type="checkbox"/> MASTERCARD <input type="checkbox"/> AMEX
card #:	
expiry date:	cvv:
cardholder name:	
cardholder signature:	
<input type="checkbox"/> cheque attached (payable to BES Inc.)	

**ALL ORDERS MUST BE PREPAID IN FULL.**  
 Orders cannot be delivered until payment is received

**PAYMENT/CANCELLATION POLICY** – Charges are for rental of items only. All items remain the property of BES, unless noted. All orders received after the stated deadline date, will be processed at the show price. Exhibitor is responsible for the care of all items for the duration of the event. Any discrepancies must be settled before show closing. Note that preparations for shows and events take place well ahead of time of delivery, hence, orders cancelled up to 7 days prior to show opening may be eligible for a 50% refund. Orders cancelled less than 7 days before opening may be eligible for up to a 25% refund depending on the nature of the order and the work performed. No refunds on equipment once it has been delivered to the booth.

**CHAIRS**

QTY	DESCRIPTION	DISCOUNT PRICE	SHOW PRICE	TOTAL
	Side Chair, Black Fabric	\$ 39.00	\$ 59.00	\$
	Steno Chair, Black Fabric	\$ 65.00	\$ 94.00	\$
	Folding Chair, Black	\$ 15.00	\$ 19.00	\$
	Plastic Side Chair, Basic	\$ 27.00	\$ 45.00	\$

**STOOLS**

QTY	DESCRIPTION	DISCOUNT PRICE	SHOW PRICE	TOTAL
	Black Leather Bar Stool	\$ 99.00	\$ 145.00	\$
	White Leather Bar Stool	\$ 99.00	\$ 145.00	\$
	Folding Stool	\$ 52.00	\$ 65.00	\$
	Gas Lift Stool – White Seat	\$ 99.00	\$ 152.00	\$
	Gas Lift Stool – Black Seat	\$ 99.00	\$ 152.00	\$

**BARCELONA LINE**

QTY	DESCRIPTION	DISCOUNT PRICE	SHOW PRICE	TOTAL
	Barcelona black sofa, 3 seater	\$ 375.00	\$ 520.00	\$
	Barcelona white sofa, 3 seater	\$ 375.00	\$ 520.00	\$
	Barcelona black sofa, 2 seater	\$ 265.00	\$ 370.00	\$
	Barcelona white sofa, 2 seater	\$ 265.00	\$ 370.00	\$
	Barcelona black single chair	\$ 195.00	\$ 290.00	\$
	Barcelona white single chair	\$ 195.00	\$ 290.00	\$
	Barcelona black foot stool	\$ 125.00	\$ 190.00	\$
	Barcelona white foot stool	\$ 125.00	\$ 190.00	\$

<b>SUBTOTAL</b>	
<b>13% HST</b>	
<b>TOTAL</b>	

## miscellaneous items

---



**BALLOT DRUM**

Brass



**BAR FRIDGE**

White or Black



**BAG HOLDER**



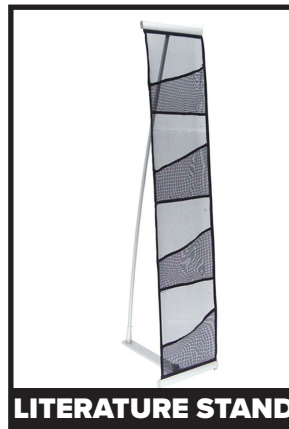
**COAT TREE**



**EASEL**



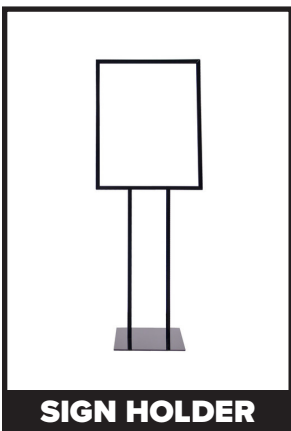
**GARMENT RACK**



**LITERATURE STAND**



**STANCHION**



**SIGN HOLDER**



**WASTEBASKET**

show: **LONDON FARM SHOW**  
 discount price deadline: **FEBRUARY 16, 2024**

exhibitor information	
booth #:	company:
street:	
city:	prov/state: postal code:
phone #:	fax #:
email address: NEEDED FOR RECEIPT	
contact name:	

credit card authorization	
card type: <input type="checkbox"/> VISA <input type="checkbox"/> MASTERCARD <input type="checkbox"/> AMEX	
card #:	
expiry date:	cvv:
cardholder name:	
cardholder signature:	
<input type="checkbox"/> cheque attached (payable to BES Inc.)	

**ALL ORDERS MUST BE PREPAID IN FULL.**  
 Orders cannot be delivered until payment is received

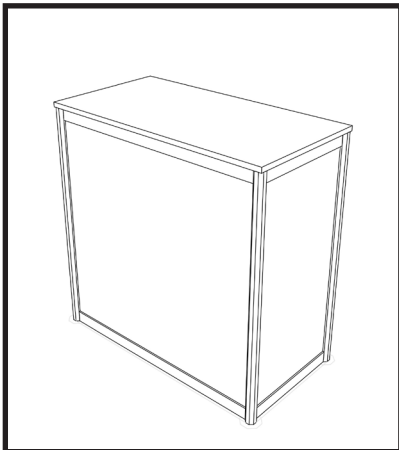
**PAYMENT/CANCELLATION POLICY** – Charges are for rental of items only. All items remain the property of BES, unless noted. All orders received after the stated deadline date, will be processed at the show price. Exhibitor is responsible for the care of all items for the duration of the event. Any discrepancies must be settled before show closing. Note that preparations for shows and events take place well ahead of time of delivery, hence, orders cancelled up to 7 days prior to show opening may be eligible for a 50% refund. Orders cancelled less than 7 days before opening may be eligible for up to a 25% refund depending on the nature of the order and the work performed. No refunds on equipment once it has been delivered to the booth.

MISCELLANEOUS ITEMS				
QTY	DESCRIPTION	DISCOUNT PRICE	SHOW PRICE	TOTAL
	Ballot Box, Brass – 21" square x 36"H	\$ 115.00	\$ 180.00	\$
	Bar Fridge <b>**NOTE - does NOT include electrical**</b> <input type="checkbox"/> White <input type="checkbox"/> Black	\$ 195.00	\$ 250.00	\$
	Bag Holder	\$ 95.00	\$ 145.00	\$
	Coat Tree	\$ 30.00	\$ 50.00	\$
	Easel	\$ 30.00	\$ 45.00	\$
	Garment Rack, rolling	\$ 70.00	\$ 105.00	\$
	Lit Stand - with 4 pockets	\$ 45.00	\$ 65.00	\$
	Retractable Stanchion, with black strap (each)	\$ 50.00	\$ 80.00	\$
	Sign Holder	\$ 55.00	\$ 70.00	\$
	Wastebasket	\$ 12.00	\$ 18.00	\$

<b>SUBTOTAL</b>	
<b>13% HST</b>	
<b>TOTAL</b>	

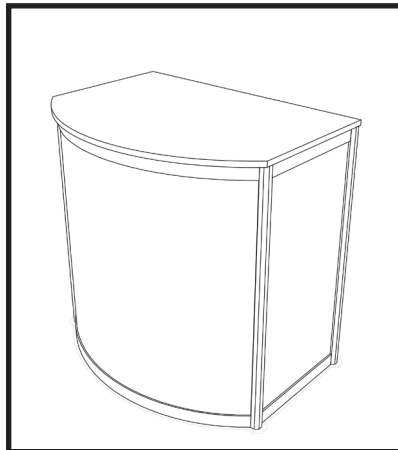


## counters & plinths



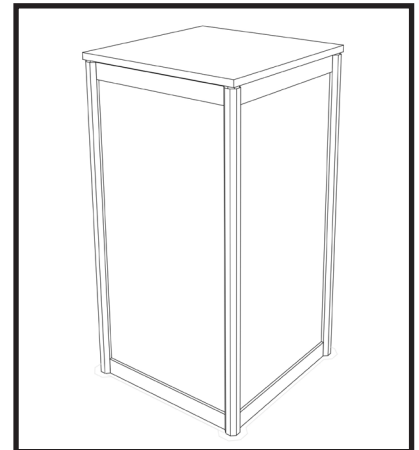
**STORAGE COUNTER**

40" W x 20" D x 40" H



**CURVED COUNTER**

40" W x 20" D x 40" H

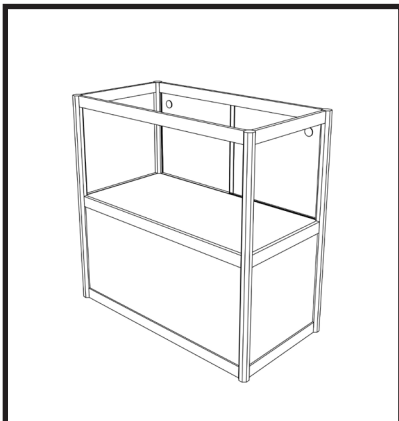


**PLINTH**

20" W x 20" D x 40" H

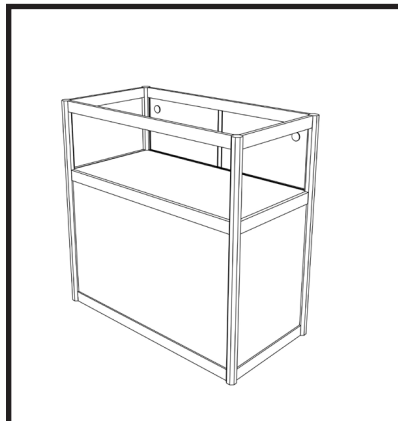
\*\*can be customized\*\*

## showcases



**COUNTER SHOWCASE  
1/2 VIEW**

40" W x 20" D x 40" H



**COUNTER SHOWCASE  
1/3 VIEW**

40" W x 20" D x 40" H



**FULL VIEW TOWER  
SHOWCASE**

20" W X 20" D X 96" H

show: **LONDON FARM SHOW**  
 discount price deadline: **FEBRUARY 16, 2024**

**exhibitor information**

booth #:	company:
street:	
city:	prov/state: postal code:
phone #:	fax #:
email address: NEEDED FOR RECEIPT	
contact name:	

**credit card authorization**

card type: <input type="checkbox"/> VISA <input type="checkbox"/> MASTERCARD <input type="checkbox"/> AMEX	
card #:	
expiry date:	cvv:
cardholder name:	
cardholder signature:	
<input type="checkbox"/> cheque attached (payable to BES Inc.)	

**ALL ORDERS MUST BE PREPAID IN FULL.**  
 Orders cannot be delivered until payment is received

**PAYMENT/CANCELLATION POLICY** – Charges are for rental of items only. All items remain the property of BES, unless noted. All orders received after the stated deadline date, will be processed at the show price. Exhibitor is responsible for the care of all items for the duration of the event. Any discrepancies must be settled before show closing. Note that preparations for shows and events take place well ahead of time of delivery, hence, orders cancelled up to 7 days prior to show opening may be eligible for a 50% refund. Orders cancelled less than 7 days before opening may be eligible for up to a 25% refund depending on the nature of the order and the work performed. No refunds on equipment once it has been delivered to the booth.

**COUNTERS & PLINTHS**

QTY	DESCRIPTION	DISCOUNT PRICE	SHOW PRICE	TOTAL
	Counter Storage Unit <input type="checkbox"/> Black <input type="checkbox"/> White	\$ 190.00	\$ 265.00	\$
	Curved Storage Counter <input type="checkbox"/> Black <input type="checkbox"/> White	\$ 265.00	\$ 390.00	\$
	20" Square Plinth <input type="checkbox"/> Black <input type="checkbox"/> White	\$ 120.00	\$ 180.00	\$

**SHOWCASES**

QTY	DESCRIPTION	DISCOUNT PRICE	SHOW PRICE	TOTAL
	Glass Display Case (1/3 view)	\$ 325.00	\$ 440.00	\$
	Glass Display Case (full view)	\$ 360.00	\$ 510.00	\$
	Tower Showcase	\$ 368.00	\$ 525.00	\$

<b>SUBTOTAL</b>	
<b>13% HST</b>	
<b>TOTAL</b>	

show: **LONDON FARM SHOW**  
 discount price deadline: **FEBRUARY 16, 2024**

exhibitor information	
booth #:	company:
street:	
city:	prov/state: postal code:
phone #:	fax #:
email address: NEEDED FOR RECEIPT	
contact name:	

credit card authorization	
card type: <input type="checkbox"/> VISA <input type="checkbox"/> MASTERCARD <input type="checkbox"/> AMEX	
card #:	
expiry date:	cvv:
cardholder name:	
cardholder signature:	
<input type="checkbox"/> cheque attached (payable to BES Inc.)	

**ALL ORDERS MUST BE PREPAID IN FULL.**  
 Orders cannot be delivered until payment is received

**PAYMENT/CANCELLATION POLICY** – Charges are for rental of items only. All items remain the property of BES, unless noted. All orders received after the stated deadline date, will be processed at the show price. Exhibitor is responsible for the care of all items for the duration of the event. Any discrepancies must be settled before show closing. Note that preparations for shows and events take place well ahead of time of delivery, hence, orders cancelled up to 7 days prior to show opening may be eligible for a 50% refund. Orders cancelled less than 7 days before opening may be eligible for up to a 25% refund depending on the nature of the order and the work performed. No refunds on equipment once it has been delivered to the booth. Refunds are not eligible on signage already produced.

### BANNERS (SINGLE-SIDED)

QTY	DESCRIPTION	DISCOUNT PRICE	SHOW PRICE	TOTAL
	24" x 48"	\$ 130.00	\$ 200.00	\$
	24" x 72"	\$ 200.00	\$ 300.00	\$
	24" x 96"	\$ 270.00	\$ 400.00	\$
	36" x 72"	\$ 300.00	\$ 450.00	\$

QTY	DESCRIPTION	DISCOUNT PRICE	SHOW PRICE	TOTAL
	36" x 96"	\$ 400.00	\$ 600.00	\$
	36" x 120"	\$ 510.00	\$ 760.00	\$
	48" x 96"	\$ 540.00	\$ 810.00	\$
	48" x 120"	\$ 615.00	\$ 900.00	\$

### PLATFORM BASE BANNER STAND (SINGLE-SIDED)

QTY	DESCRIPTION	DISCOUNT PRICE	SHOW PRICE	TOTAL
	33"W x 78"H Retractable Banner Stand with graphics	\$ 350.00	\$ 460.00	\$
	48"W x 78"H Retractable Banner Stand with graphics	\$ 460.00	\$ 575.00	\$

• Includes black canvas carrying case      • based on client supplied graphics      • double-sided available

### SIGNS (SINGLE-SIDED)

**PVC** (suitable for multiple uses)

QTY	DESCRIPTION	DISCOUNT PRICE	SHOW PRICE	TOTAL
	8" x 44"	\$ 54.00	\$ 80.00	\$
	14" x 22"	\$ 57.00	\$ 86.00	\$
	22" x 28"	\$ 78.00	\$ 117.00	\$
	24" x 32"	\$ 94.00	\$ 149.00	\$
	36" x 48"	\$ 183.00	\$ 239.00	\$

### SIGNS (SINGLE-SIDED)

**ULTRA BOARD**

QTY	DESCRIPTION	DISCOUNT PRICE	SHOW PRICE	TOTAL
	8" x 44"	\$ 43.00	\$ 65.00	\$
	14" x 22"	\$ 49.00	\$ 71.00	\$
	22" x 28"	\$ 65.00	\$ 97.00	\$
	24" x 32"	\$ 77.00	\$ 115.00	\$
	36" x 48"	\$ 143.00	\$ 255.00	\$

<b>SUBTOTAL</b>	
<b>13% HST</b>	
<b>TOTAL</b>	



7-4060 Ridgeway Drive, Mississauga ON L5L 5X9  
 t: 833.237.7469 | f: 866.526.4869 | e: info@bes.show  
 www.bes.show

**PICK UP ADDRESS**

COMPANY NAME: \_\_\_\_\_ CONTACT NAME: \_\_\_\_\_  
 SHOW NAME: \_\_\_\_\_ CONTACT PHONE #: \_\_\_\_\_  
 ADDRESS: \_\_\_\_\_

**DELIVERY ADDRESS**

COMPANY NAME: \_\_\_\_\_ BOOTH #: \_\_\_\_\_  
 SHOW NAME: \_\_\_\_\_  
 ADDRESS: \_\_\_\_\_  
 ON-SITE CONTACT: \_\_\_\_\_ CONTACT PHONE #: \_\_\_\_\_

WE REQUIRE CUSTOMS CLEARANCE  WE REQUIRE A RETURN SHIPMENT

**RETURN ADDRESS**

SAME AS PICK UP ADDRESS  
 COMPANY NAME: \_\_\_\_\_ CONTACT NAME: \_\_\_\_\_  
 SHOW NAME: \_\_\_\_\_  
 ADDRESS: \_\_\_\_\_

**BILLING ADDRESS**

COMPANY NAME: \_\_\_\_\_  
 CONTACT NAME: \_\_\_\_\_ CONTACT PHONE #: \_\_\_\_\_  
 ADDRESS: \_\_\_\_\_

**SHIPMENT DETAILS**

INITIAL PICK UP			RETURN PICK UP		
PICK UP DATE _____	TIME _____		PICK UP DATE _____	TIME _____	
Loading Dock Available: <input type="checkbox"/> YES <input type="checkbox"/> NO			Loading Dock Available: <input type="checkbox"/> YES <input type="checkbox"/> NO		
Tractor Trailer Accessible: <input type="checkbox"/> YES <input type="checkbox"/> NO			Tractor Trailer Accessible: <input type="checkbox"/> YES <input type="checkbox"/> NO		

TYPE	PIECES	DIMENSIONS (in.)			WEIGHT (LBS)
Cartons/Boxes	_____	L _____	W _____	H _____	_____
Crates/Fiber Case	_____	L _____	W _____	H _____	_____
Skid/Pallet	_____	L _____	W _____	H _____	_____
Carpet/Other	_____	L _____	W _____	H _____	_____
<b>TOTAL PIECES</b> _____					<b>TOTAL LBS</b> _____

Additional Services Required:  LIFT GATE  INSIDE PICKUP/DELIVERY

**TERMS & CONDITIONS**

This request is placed with the understanding that we hereby release Boneyard Event Services Inc. and/or agents from all liability for loss, damage and/or theft to our merchandise and property, no matter how caused, and we have insured all such properties being handled.  
 1 – Boneyard Logistics shall not be responsible to damage to uncrated materials, improperly packaged or concealed damage.  
 2 – Boneyard Logistics will not be responsible for any loss/damage/delay due to fire, acts of god, strikes or lock outs of any kind.  
 3 – Boneyard Logistics shall not be liable to any extent whatsoever for the actual, potential or assumed losses of profits or revenues, or for any collateral costs which may result from any loss or damage to any exhibition materials.  
 4 – Each exhibitor is responsible for declaring all hazardous materials, and to abide by Federal, Provincial and Local Laws.

I have read and agreed to the Terms and Conditions of this contract with BES INC.

NAME \_\_\_\_\_ SIGNATURE/AUTHORIZATION \_\_\_\_\_ DATE \_\_\_\_\_